

QVANTUM HEAT PUMPS

Drawing refers to Qvantum RS/2 Heat Pumps.

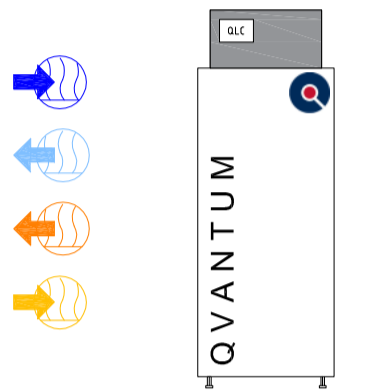
MODEL RANGE
Q32RS/2 to Q48RS/2.

CONNECTION PLACEMENT
Q32RS/2 to Q41RS/2: Top connection.
Q48RS/2: Back side connection.

CONNECTION SIZES
Q32RS/2 to Q48RS/2
Condensor - Cu 35.0 mm
Evaporator - Cu 35.0 mm
DeSuper Heater - Cu 22.0 mm

INLET & OUTLET

- 1. Evaporator Inlet
- 2. Evaporator Outlet
- 3. Condensor Outlet
- 4. Condensor Inlet

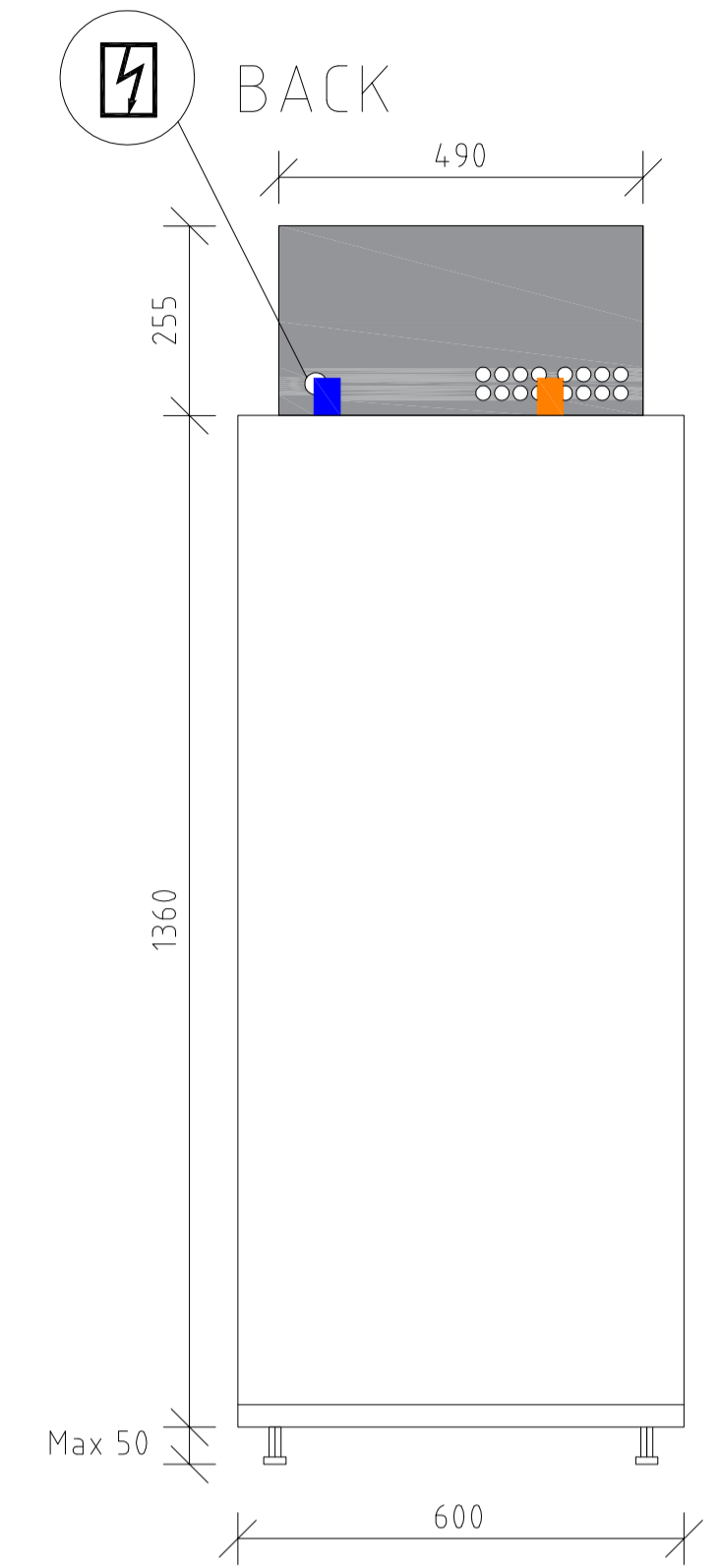
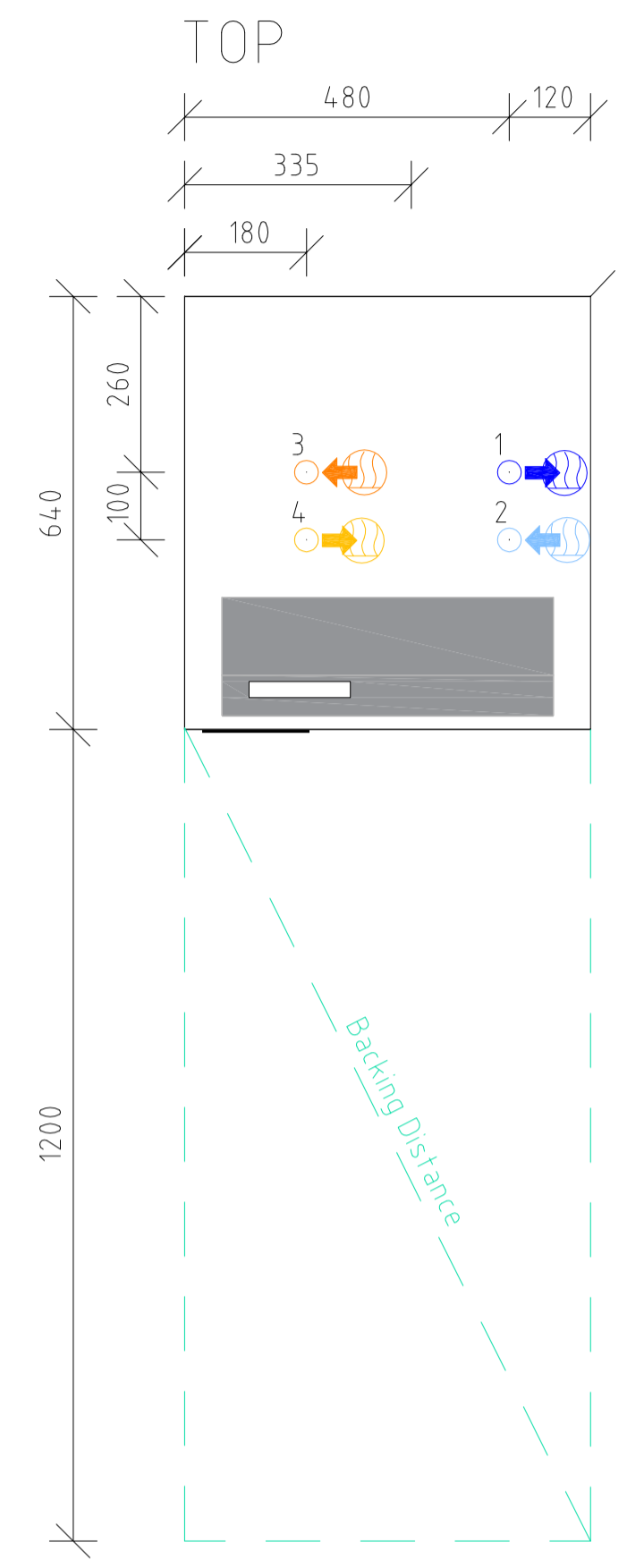


Power Supply

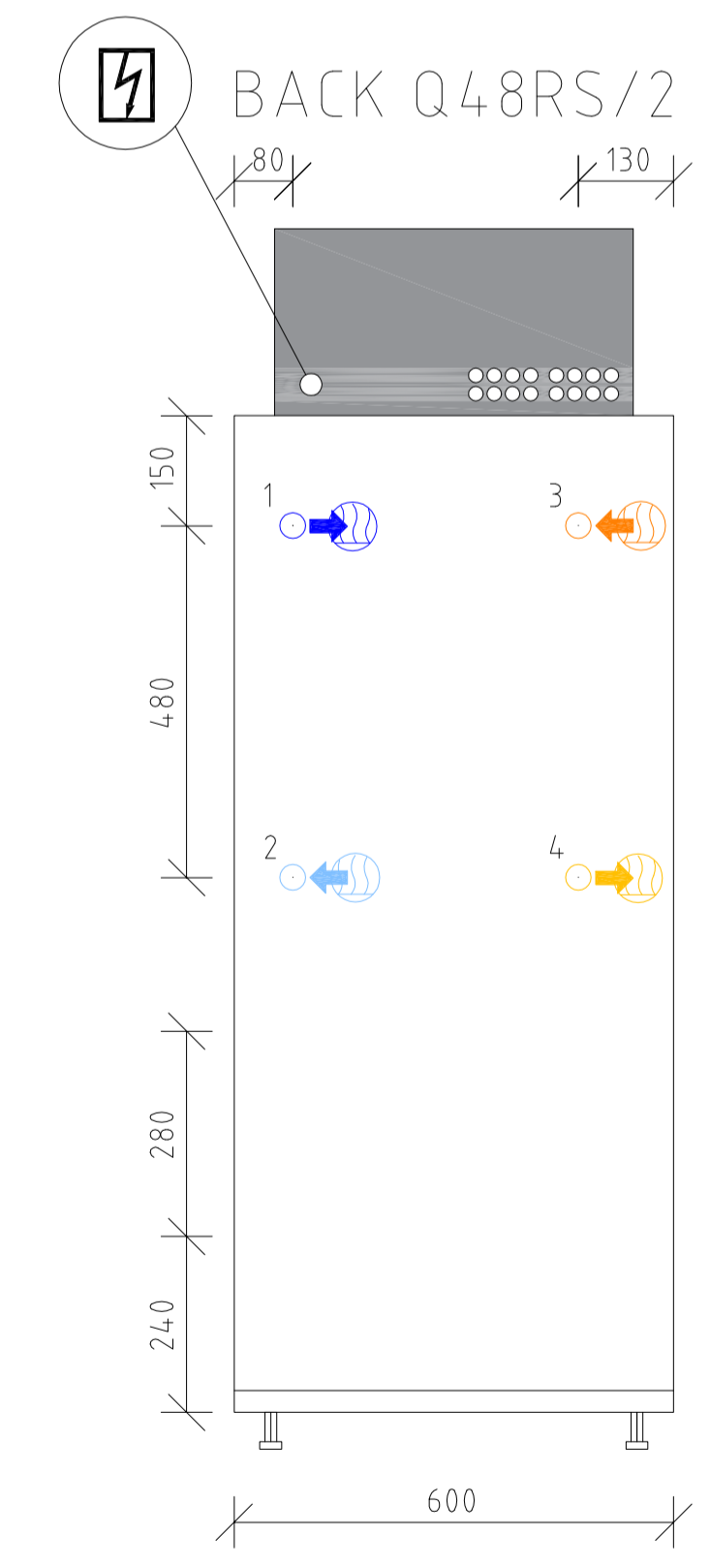
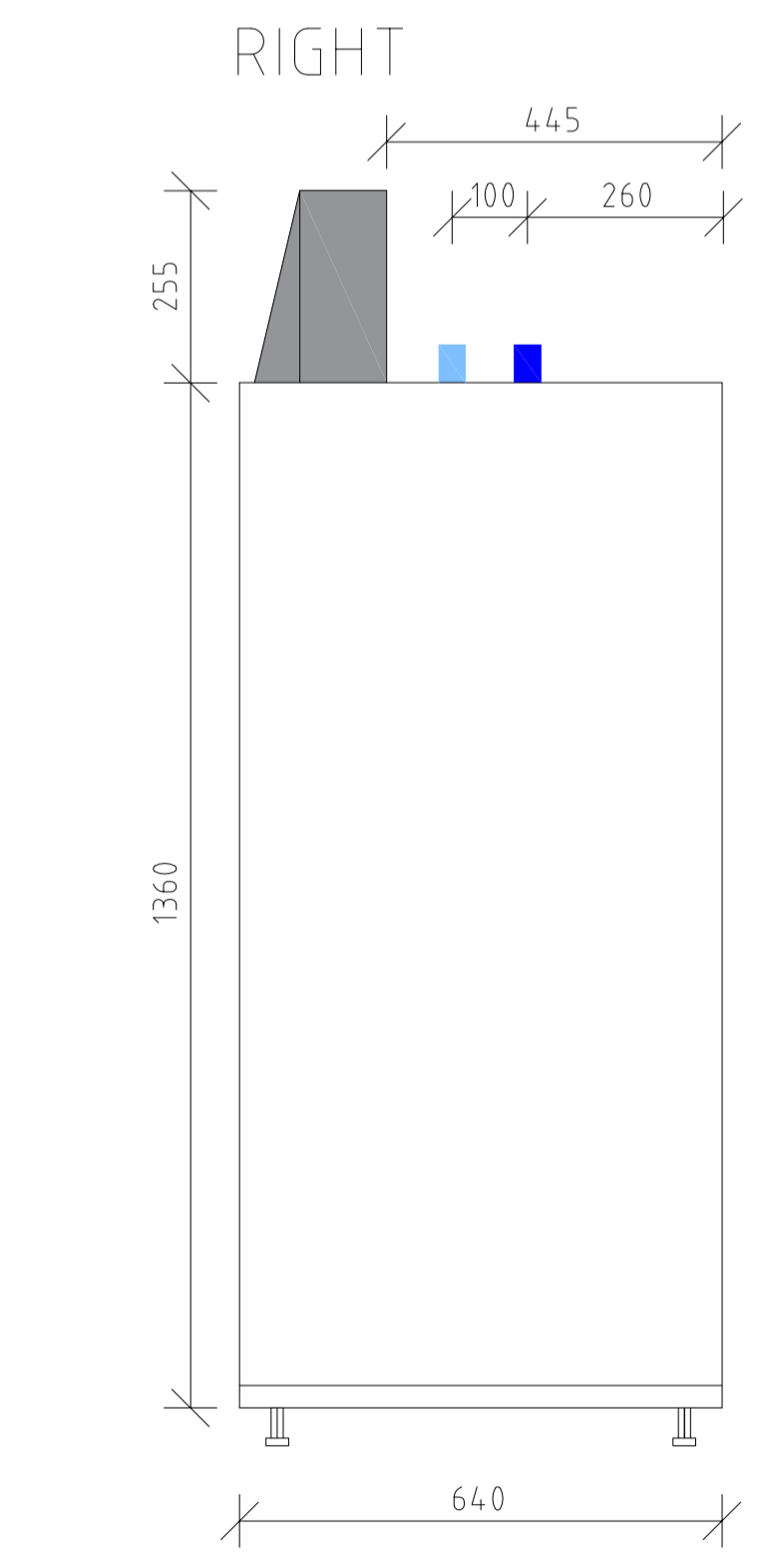
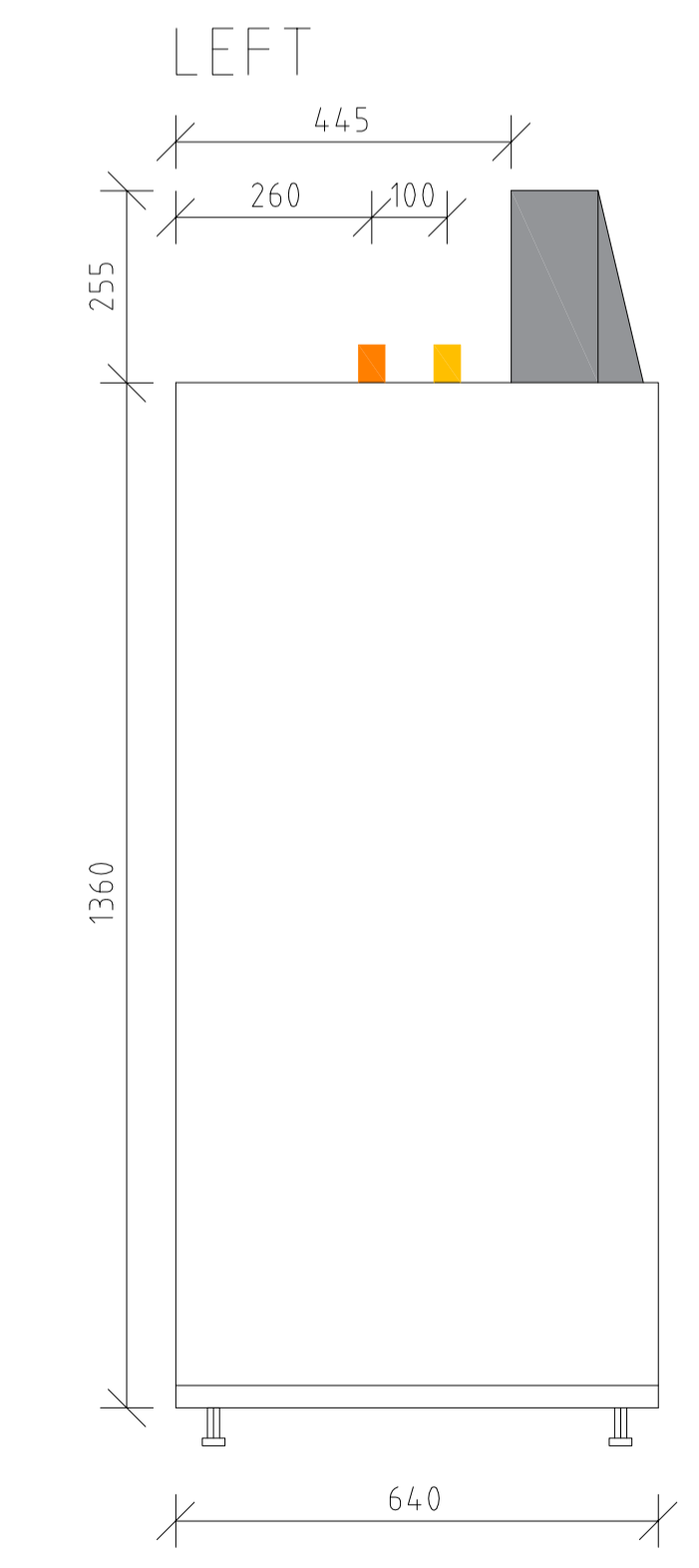
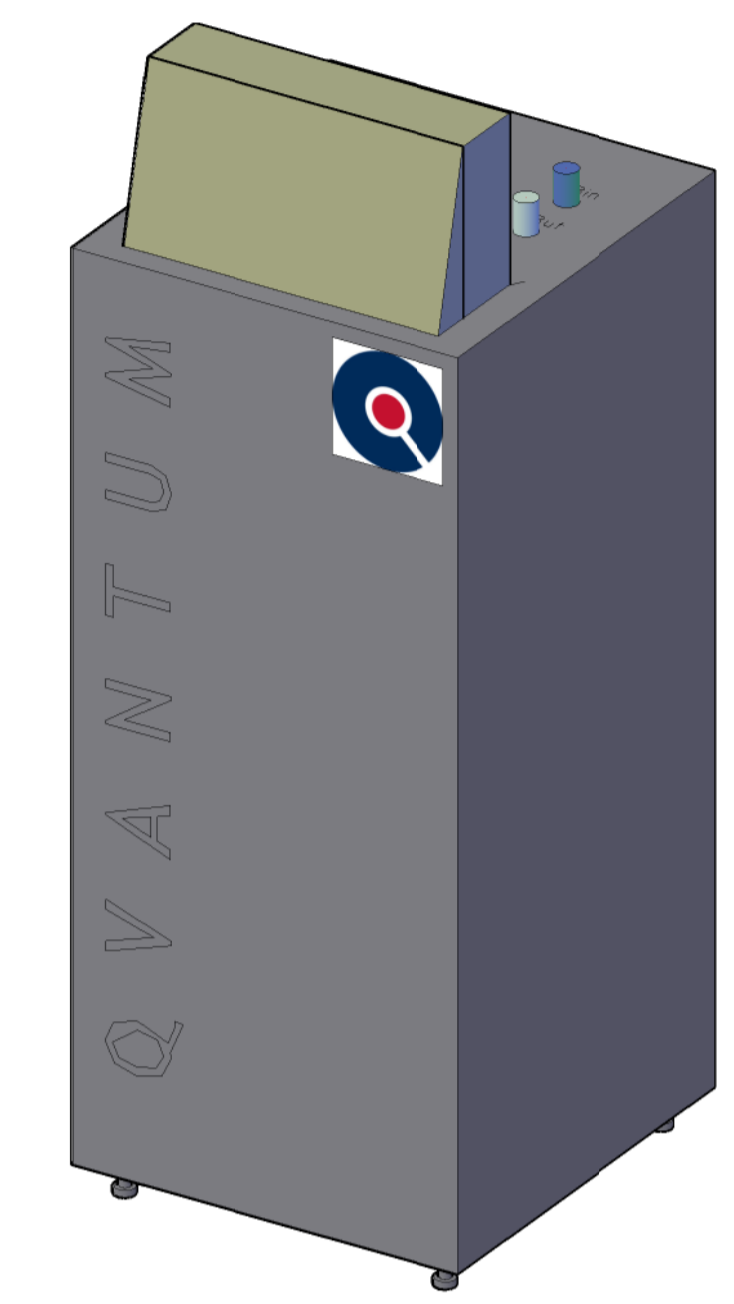
All components inside heat pump are available from front.

All measurements in millimeter.

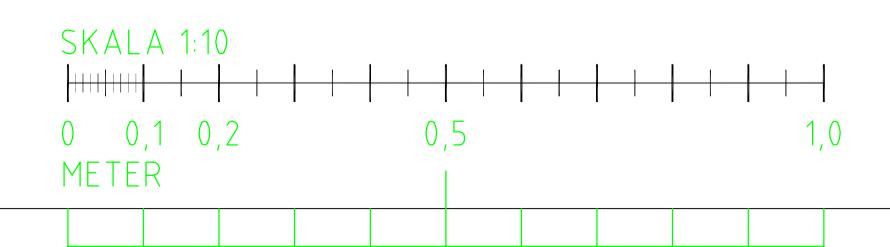
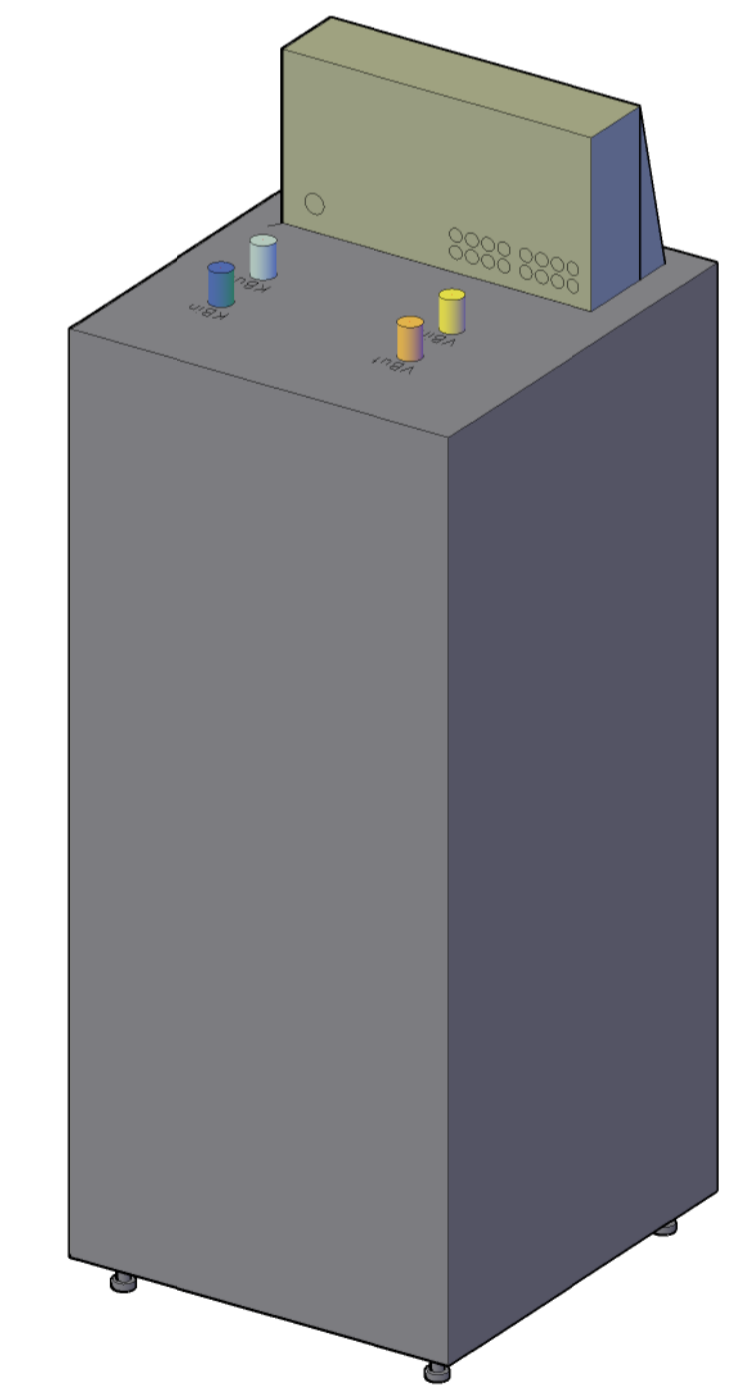
All measurements with ±5 mm tolerance.



ISO, SE VIEW



ISO, NW VIEW



REV	REVISION TYPE	DATE	SIGN
PHASE MEASUREMENT DRAWING			
RS SERIES Q32RS/2 to Q48RS/2			
QVANTUM ENERGI AB Ringugnsgatan 12 216 16 Limhamn, Sweden www.qvantum.com			
A	XXX	phone XXX-XXXX	fax XXX-XXXX
K	XXX	phone XXX-XXXX	fax XXX-XXXX
E	XXX	phone XXX-XXXX	fax XXX-XXXX
V	XXX	phone XXX-XXXX	fax XXX-XXXX
SPR	XXX	phone XXX-XXXX	fax XXX-XXXX
BR	XXX	phone XXX-XXXX	fax XXX-XXXX
M	XXX	phone XXX-XXXX	fax XXX-XXXX
HP	Qvantum Energi AB	phone +46(0)40-15 10 44	fax XXX-XXXX
PROJECT NUMBER		DRAWN BY	MANAGED BY
-		J.E.	J.E.
DATE		APPROVED BY	
2022-11-10		L.B.	
QVANTUM ENERGI AB RS SERIES HEAT PUMPS MEASUREMENT DRAWING			
SCALE	DRAWING NUMBER		REV
1:10 (A1) 1:20 (A3)	Q-RS2-32-48-001		

Subject to possible printing errors.

QVANTUM HEAT PUMPS

Drawing refers to Qvantum RS/2 Heat Pumps.

MODEL RANGE
Q65RS/2 to Q81RS/2.

CONNECTION PLACEMENT
Back side connection.

CONNECTION SIZES
Q65RS/2 & Q81RS/2
Condensor - Cu 54.0 mm
Evaporator - Cu 54.0 mm

- INLET & OUTLET**
- 1. Evaporator Inlet
 - 2. Evaporator Outlet
 - 3. Condensor Outlet
 - 4. Condensor Inlet

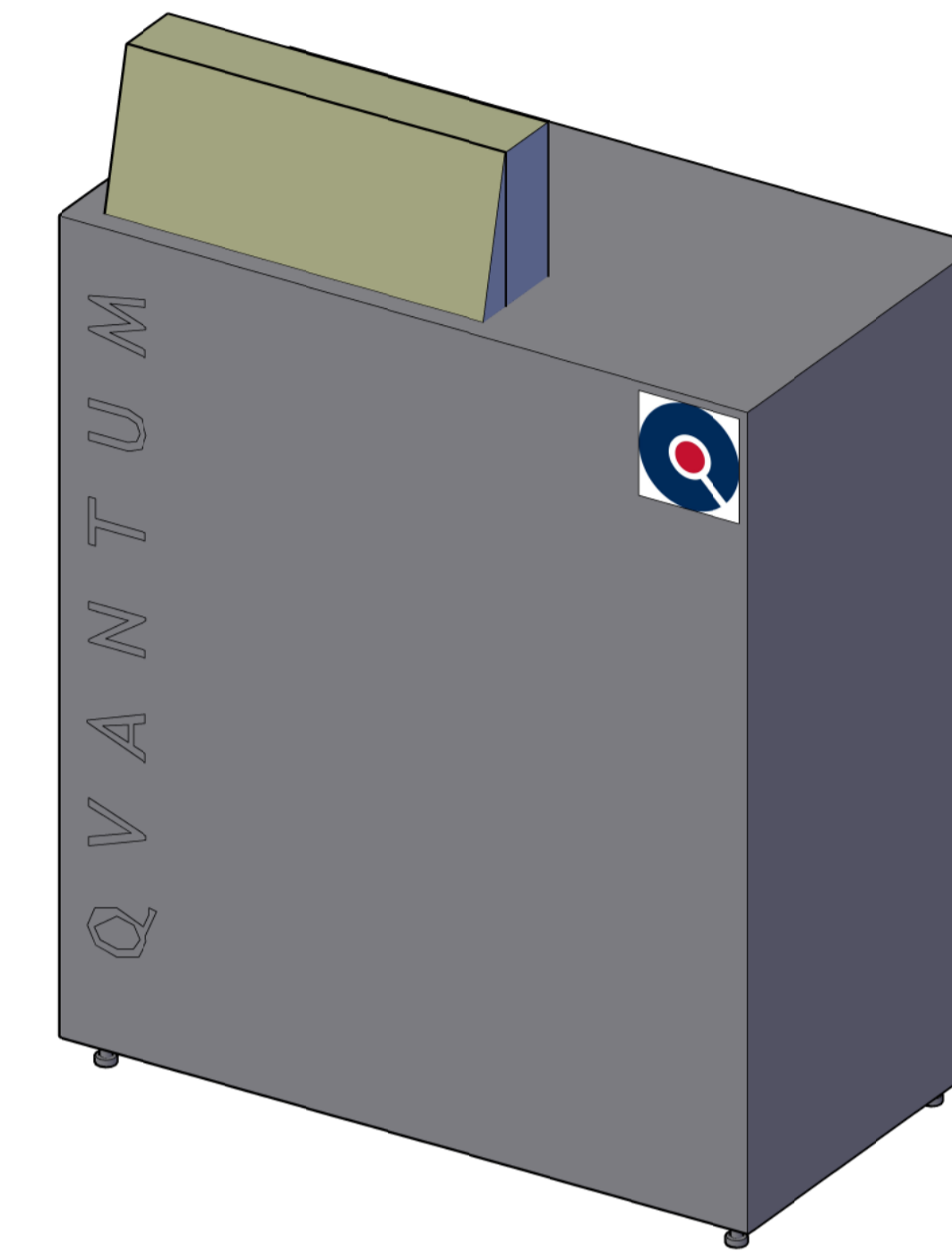
Power Supply.

All components inside heat pump are available from front.

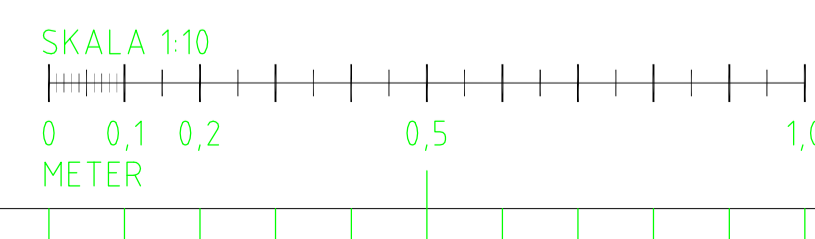
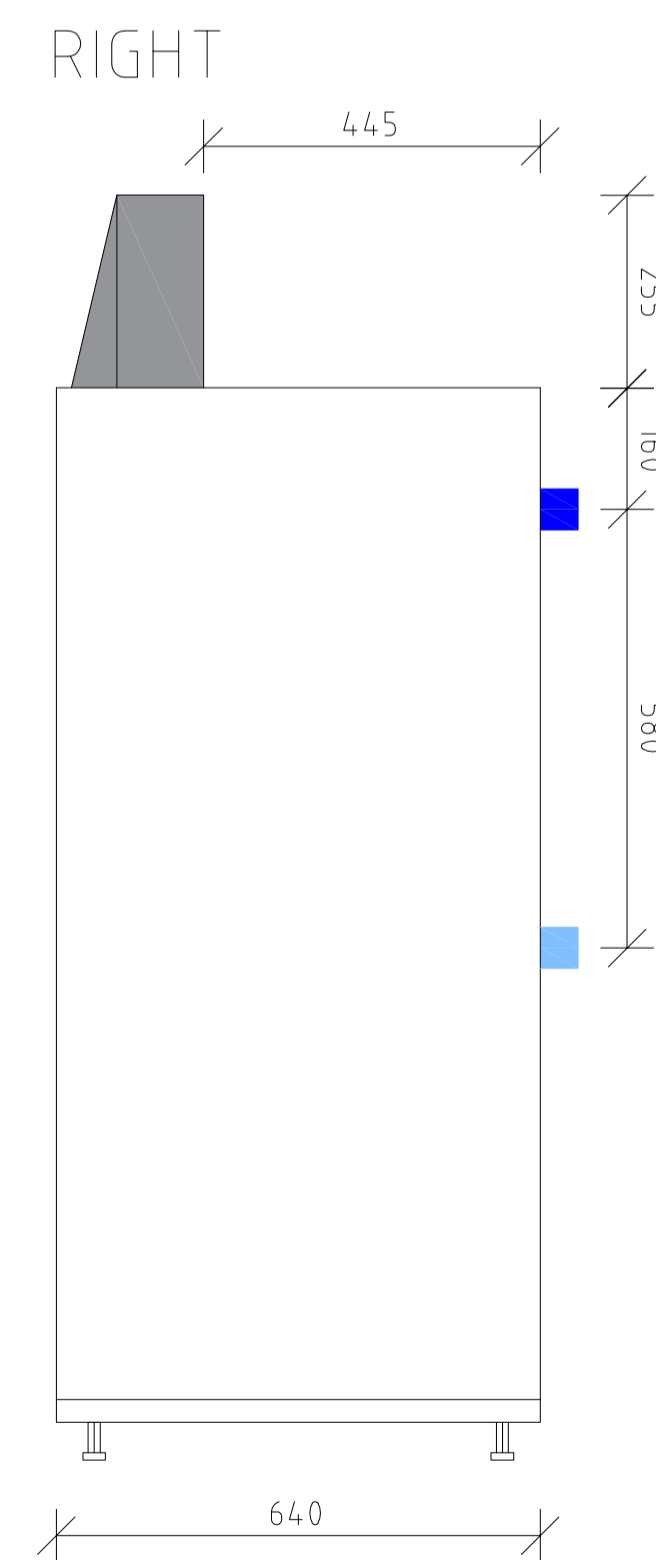
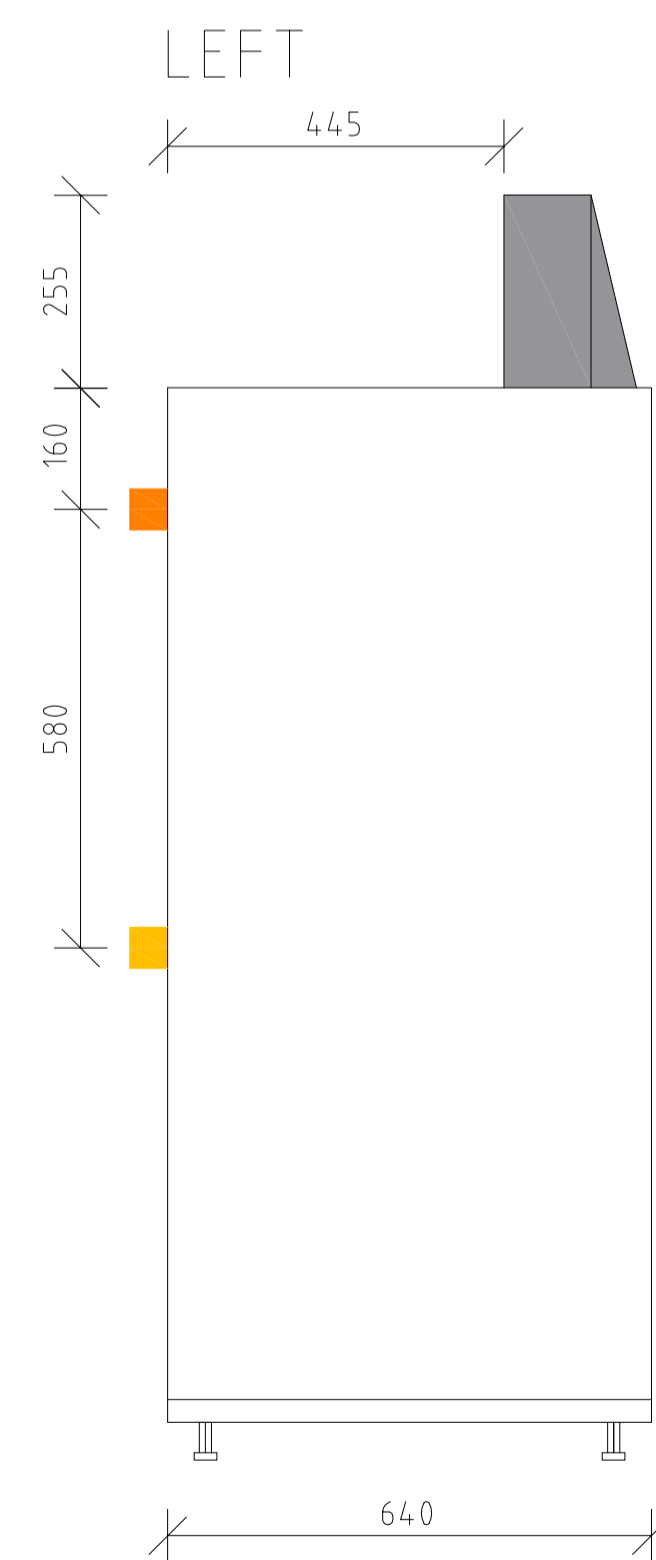
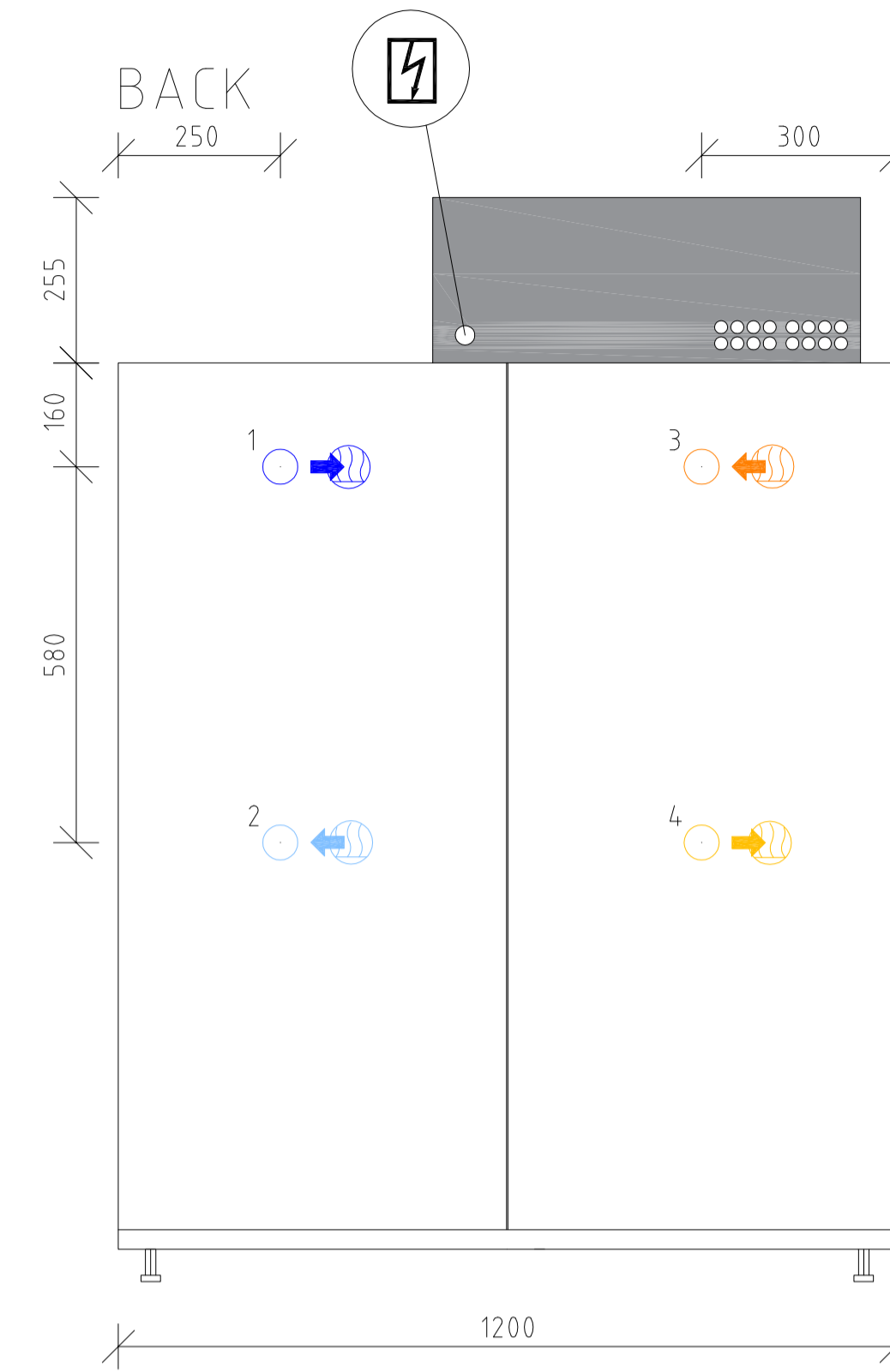
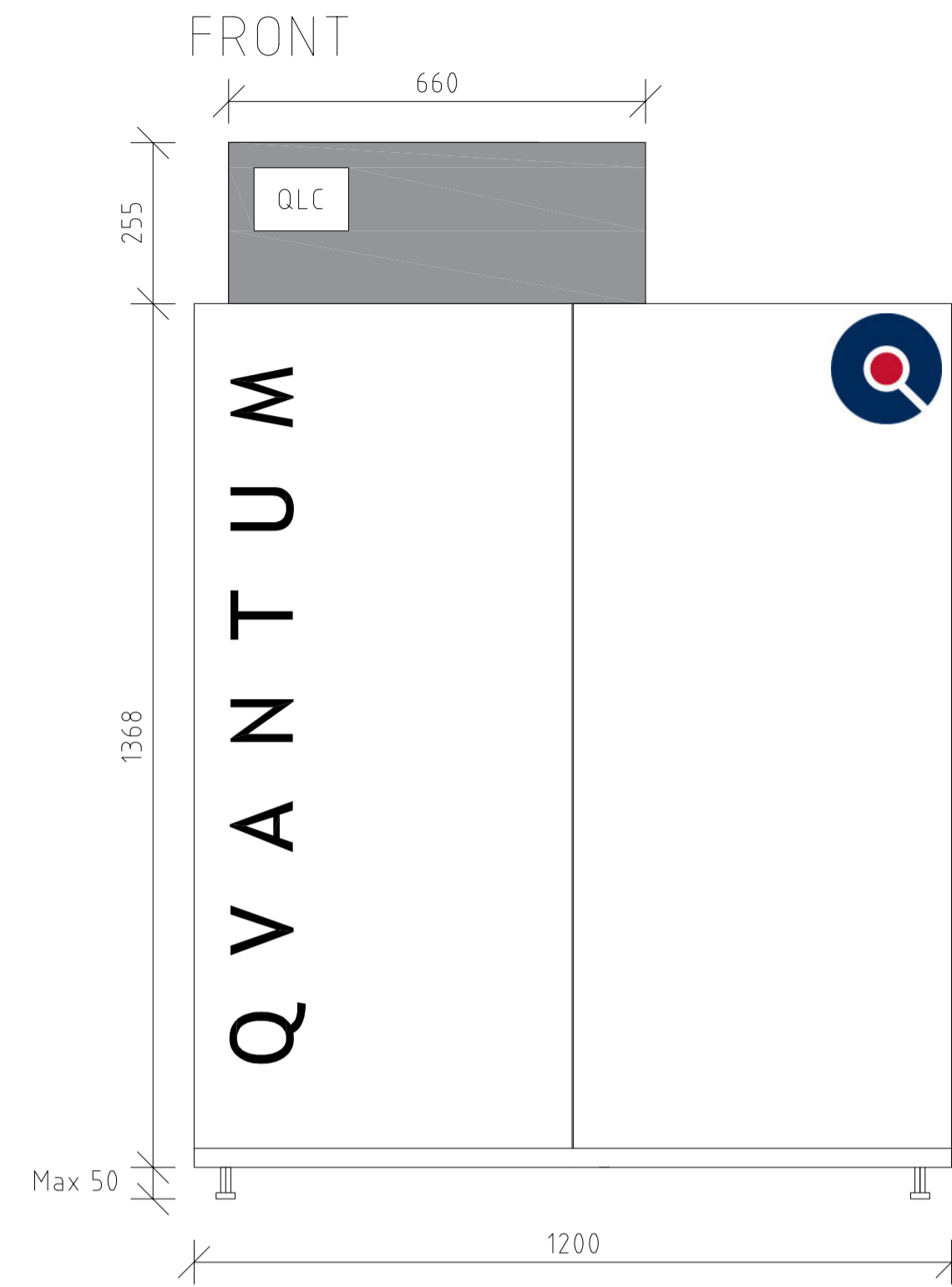
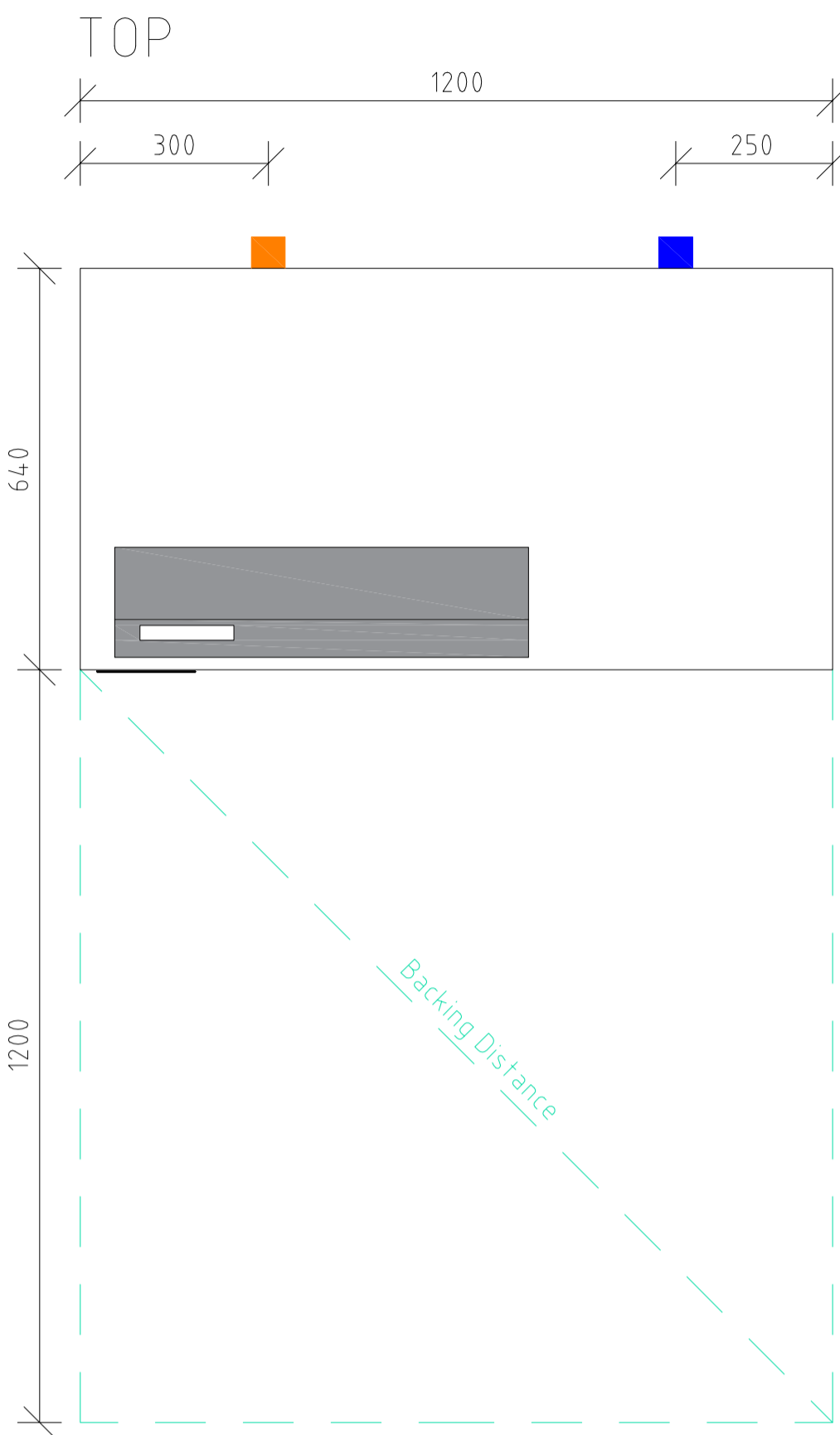
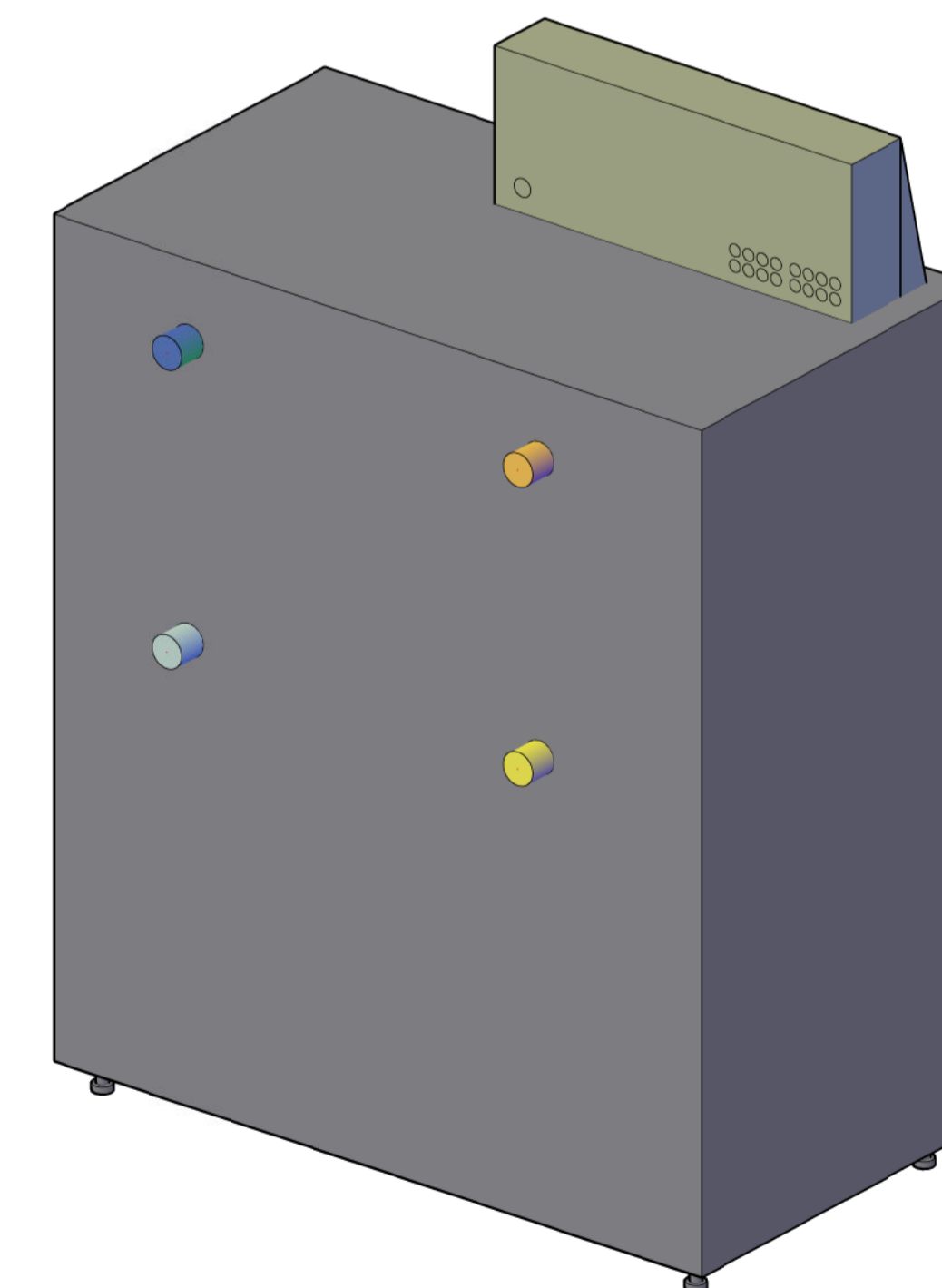
All measurements in millimeter.

All measurements with ±5 mm tolerance.

ISO, SE VIEW



ISO, NW VIEW



REV	REVISION TYPE	DATE	SIGN
PHASE MEASUREMENT DRAWING			
RS SERIES Q65RS/2 to Q81RS/2			
QVANTUM ENERGI AB Ringugnsgatan 12 216 16 Limhamn, Sweden www.qvantum.com			
A	XXX	phone XXX-XXXX	fax XXX-XXXX
K	XXX	phone XXX-XXXX	fax XXX-XXXX
E	XXX	phone XXX-XXXX	fax XXX-XXXX
V	XXX	phone XXX-XXXX	fax XXX-XXXX
SPR	XXX	phone XXX-XXXX	fax XXX-XXXX
BR	XXX	phone XXX-XXXX	fax XXX-XXXX
M	XXX	phone XXX-XXXX	fax XXX-XXXX
HP	Qvantum Energi AB	phone +46(0)40-15 10 44	fax XXX-XXXX
PROJECT NUMBER		DRAWN BY	
-		J.E.	
DATE		APPROVED BY	
2023-09-25			
QVANTUM ENERGI AB RS SERIES HEAT PUMPS MEASUREMENT DRAWING			
SCALE	DRAWING NUMBER		REV
1:10 (A1) 1:20 (A3)	Q-RS2-65-81-001		

Subject to possible printing errors.

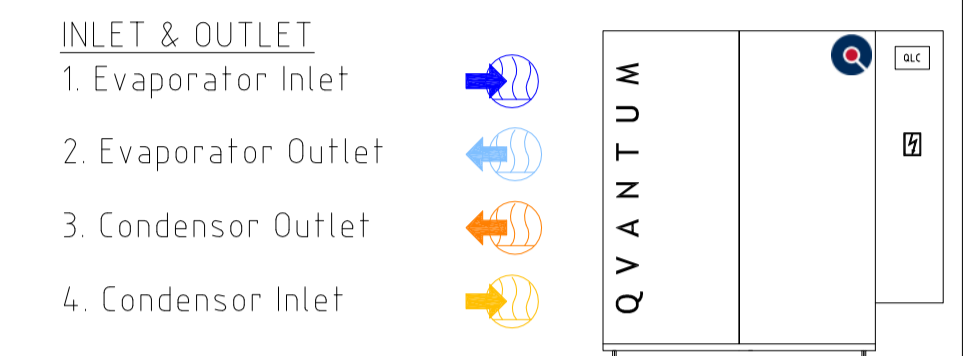
QVANTUM HEAT PUMPS

Drawing refers to Qvantum RS/2 Heat Pumps.

MODEL RANGE
Q96RS/2

CONNECTION PLACEMENT
Back side connection is standard.

CONNECTION SIZES
Q96RS/2
Condensor - Cu 54.0 mm
Evaporator - Cu 54.0 mm



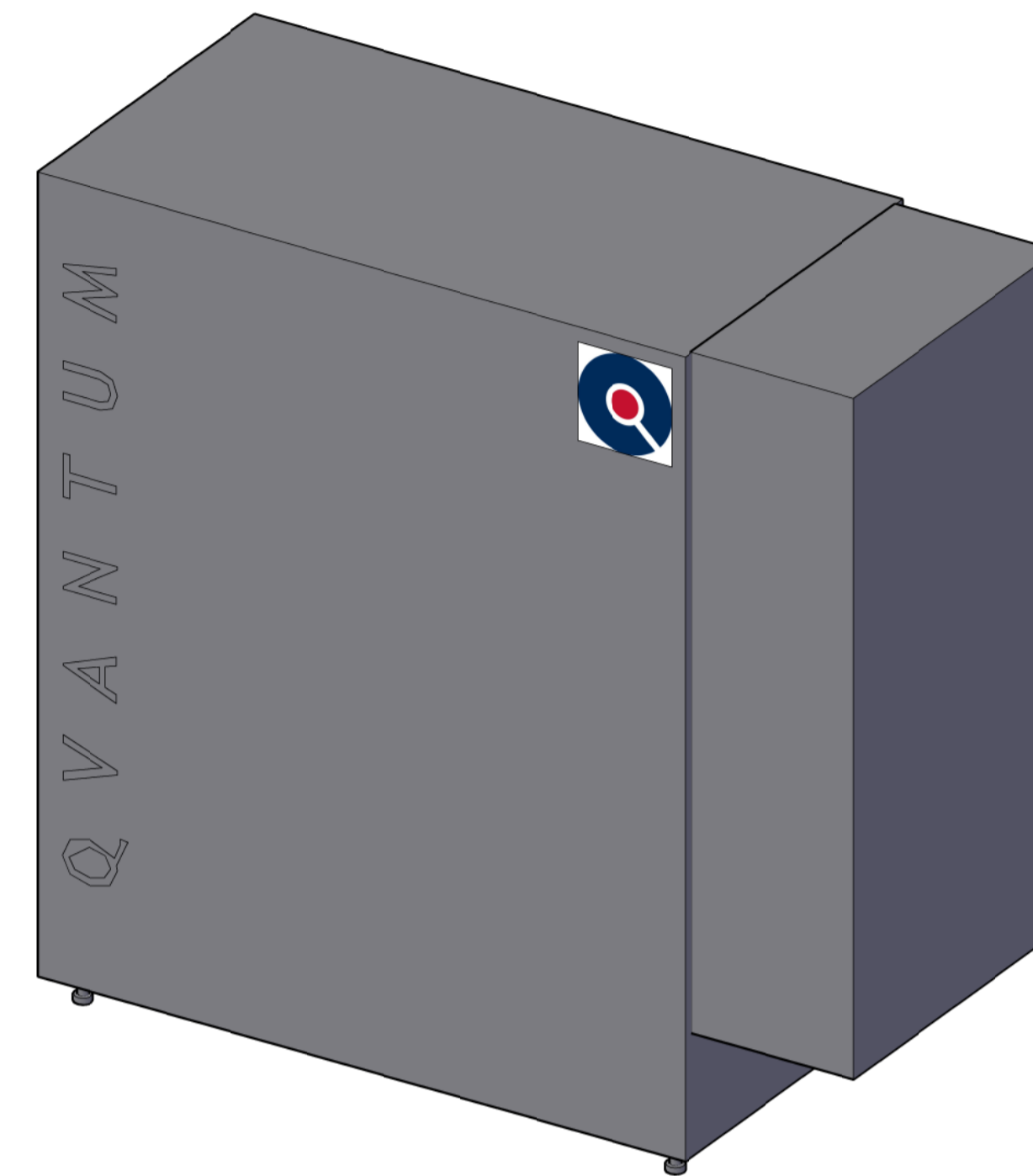
Power Supply.

All components inside heat pump are available from front.

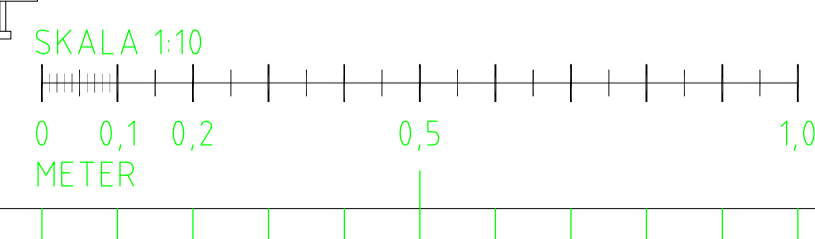
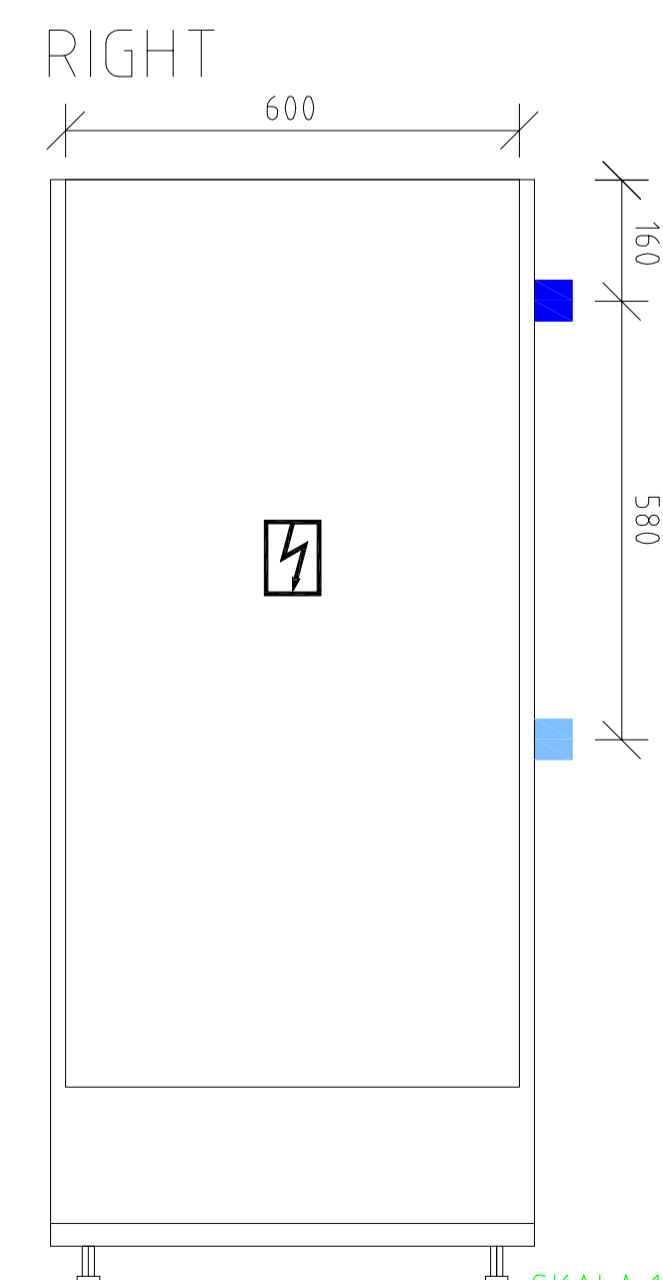
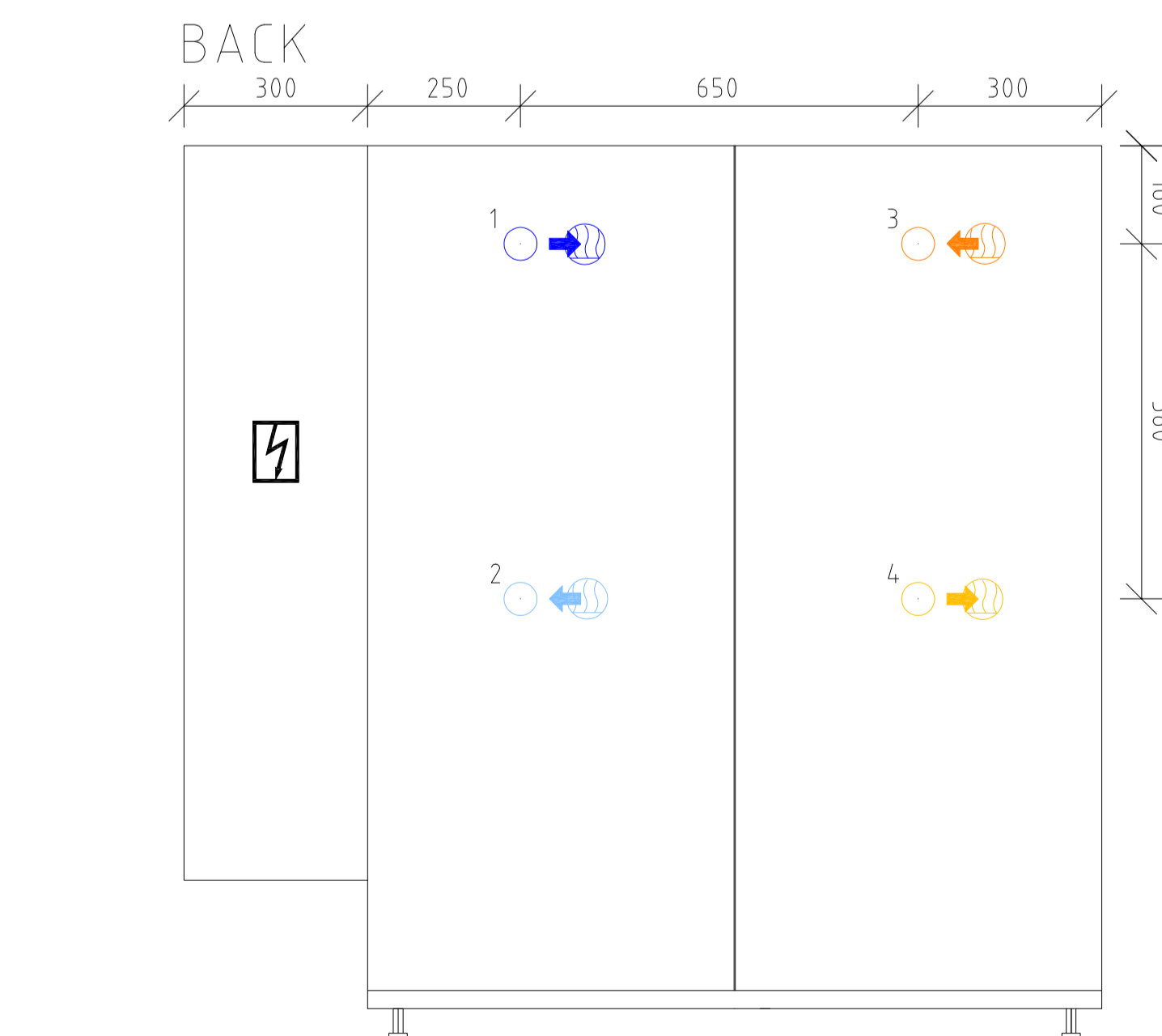
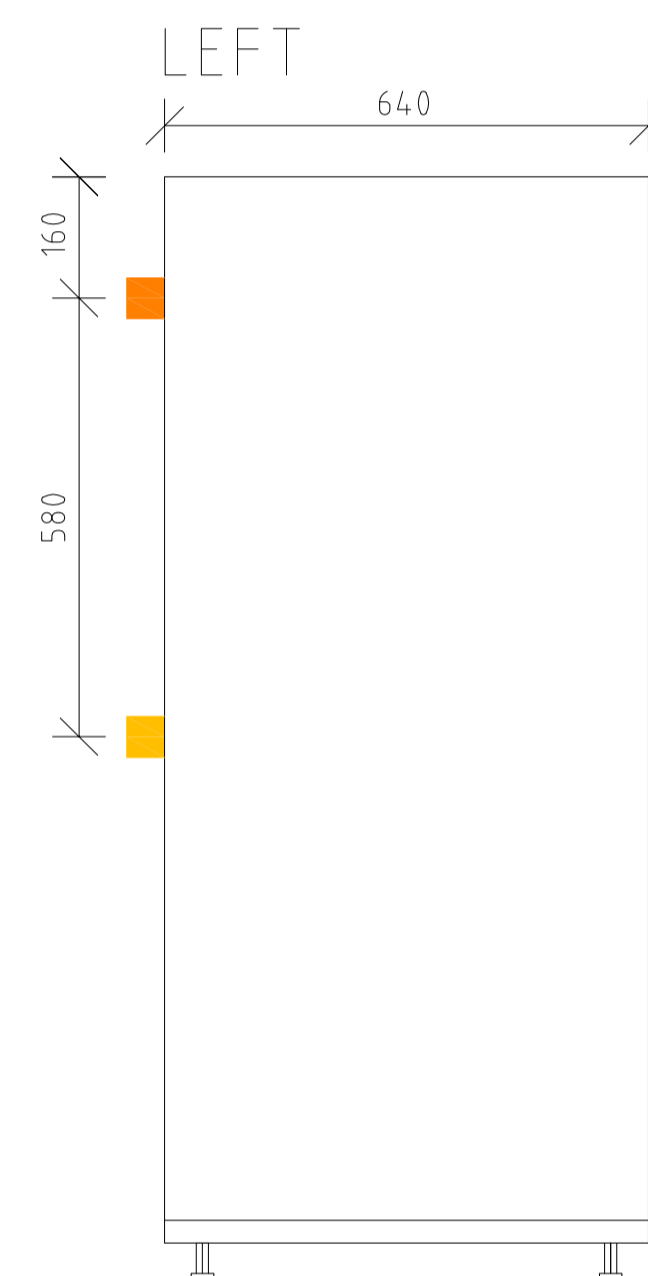
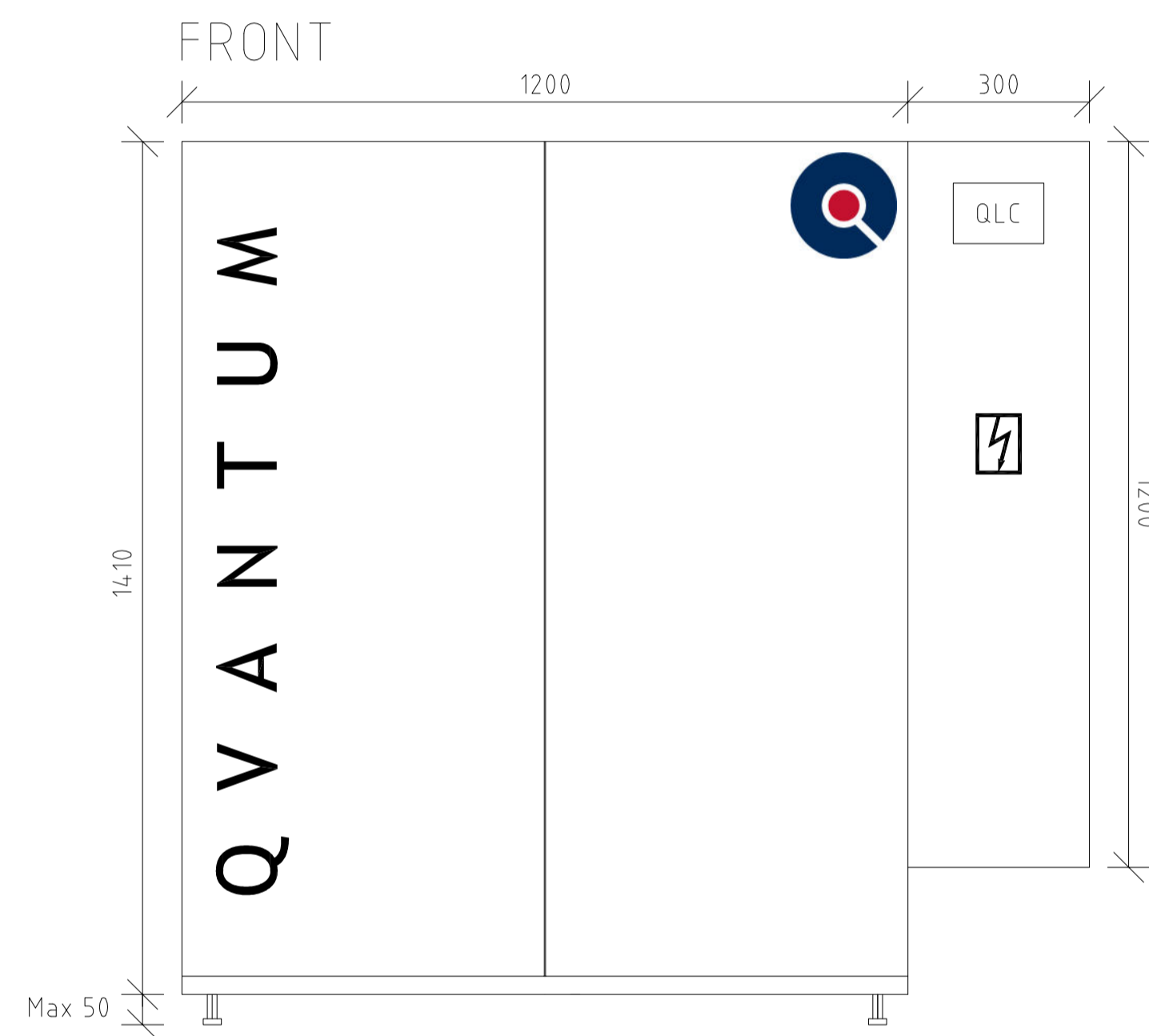
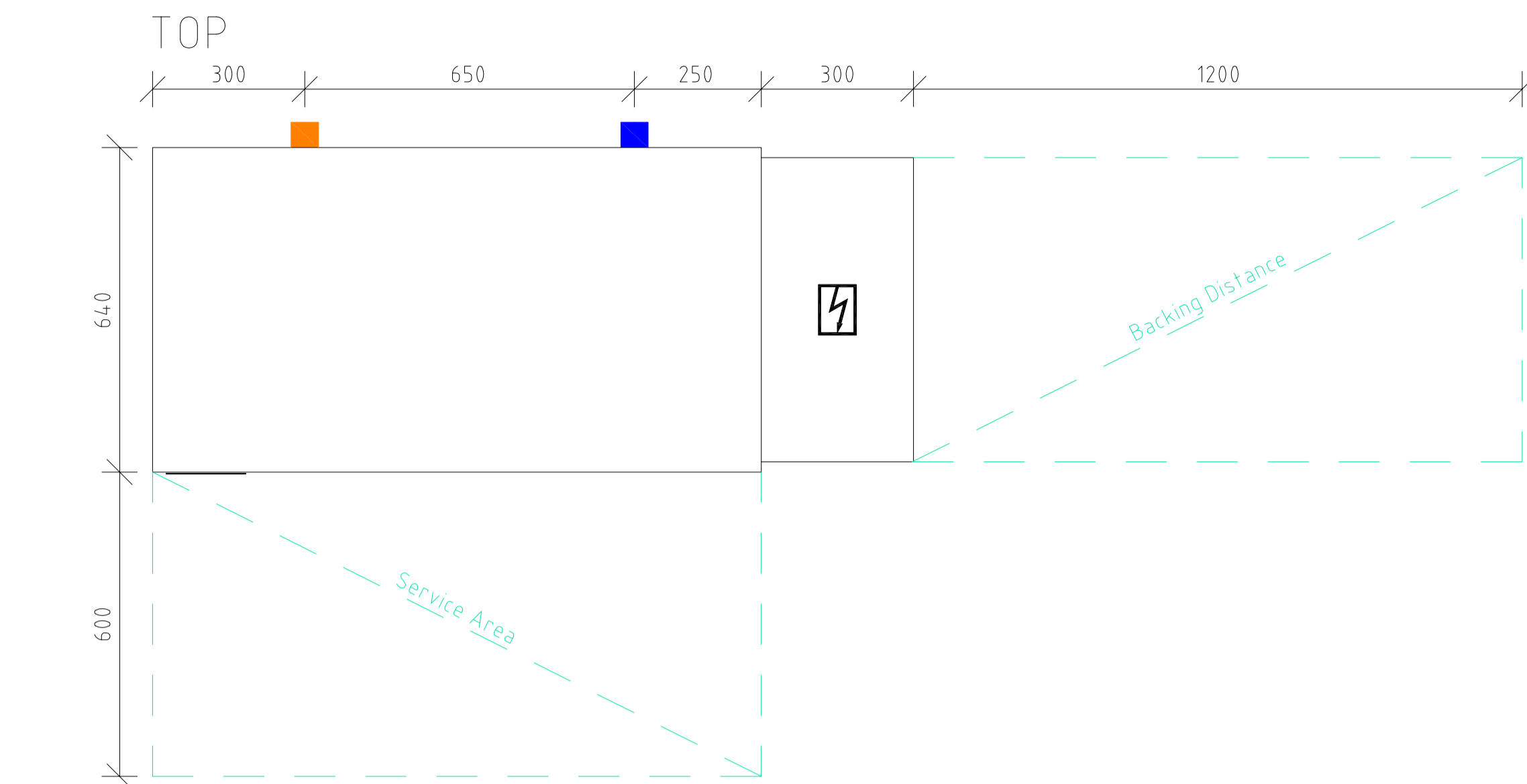
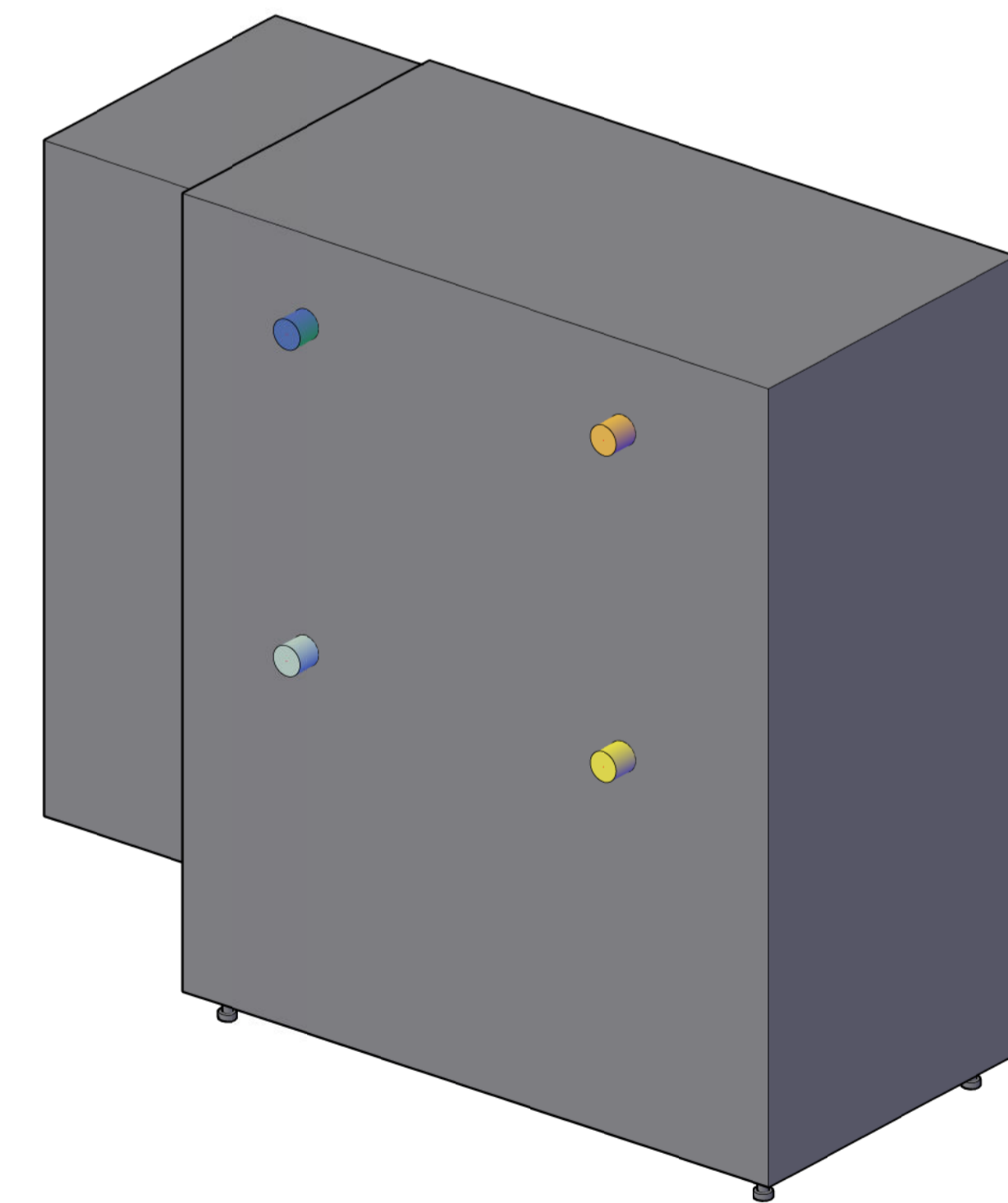
All measurements in millimeter.

All measurements with ±5 mm tolerance.

ISO, SE VIEW



ISO, NW VIEW



REV	REVISION TYPE	DATE	SIGN
PHASE MEASUREMENT DRAWING			
RS SERIES Q96RS/2			
QVANTUM ENERGI AB Ringugnsgatan 12 216 16 Limhamn, Sweden www.qvantum.com			
A	XXX	phone XXX-XXXX	fax XXX-XXXX
K	XXX	phone XXX-XXXX	fax XXX-XXXX
E	XXX	phone XXX-XXXX	fax XXX-XXXX
V	XXX	phone XXX-XXXX	fax XXX-XXXX
SPR	XXX	phone XXX-XXXX	fax XXX-XXXX
BR	XXX	phone XXX-XXXX	fax XXX-XXXX
M	XXX	phone XXX-XXXX	fax XXX-XXXX
HP	Qvantum Energi AB	phone +46(0)40-15 10 44	fax XXX-XXXX
PROJECT NUMBER		DRAWN BY	MANAGED BY
-		J.E.	J.E.
DATE		APPROVED BY	
2022-11-10		L.B.	
QVANTUM ENERGI AB RS SERIES HEAT PUMPS MEASUREMENT DRAWING			
SCALE		DRAWING NUMBER	
1:10 (A1) 1:20 (A3)		Q-RS2-96-001	

Subject to possible printing errors.

QVANTUM HEAT PUMPS

Drawing refers to Qvantum RS/2 Heat Pumps.

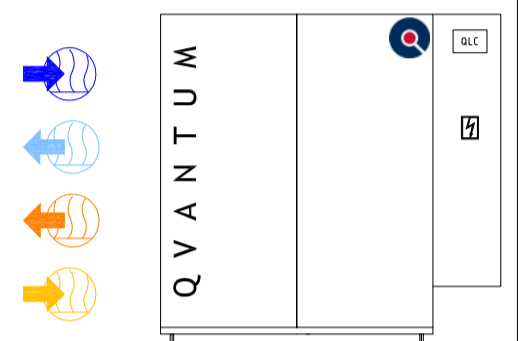
MODEL RANGE
Q123RS/2 to Q144RS/2.

CONNECTION PLACEMENT
Back side connection.

CONNECTION SIZES
Q123RS/2
Condensor - Cu 54.0 mm
Evaporator - Cu 54.0 mm
Q144RS/2
Condensor - Cu 54.0 mm
Evaporator - DN65 int thread

INLET & OUTLET

- 1. Evaporator Inlet
- 2. Evaporator Outlet
- 3. Condensor Outlet
- 4. Condensor Inlet



Power Supply.

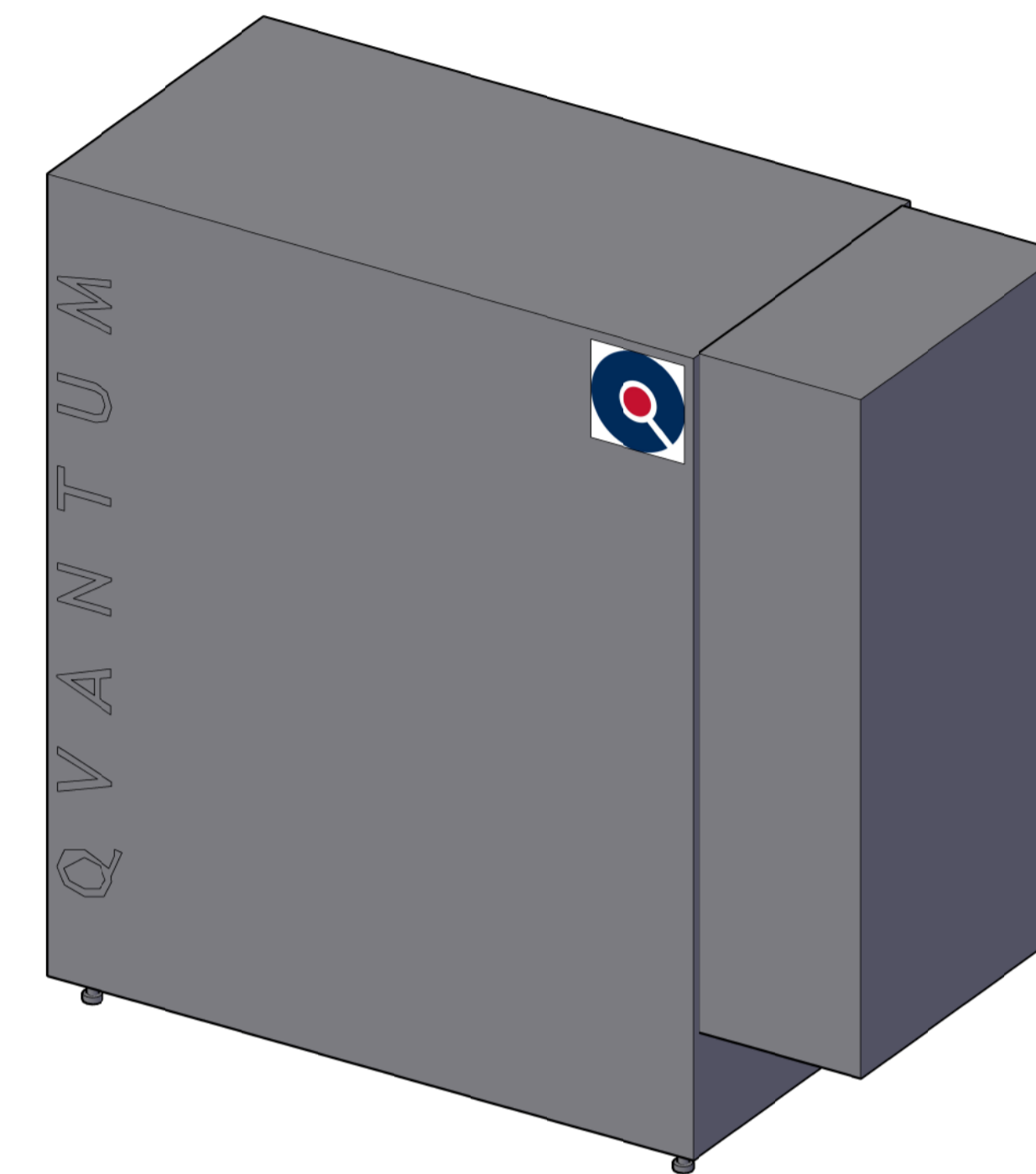
Electric Cabinet can be placed on either side.

All components inside heat pump are available from front.

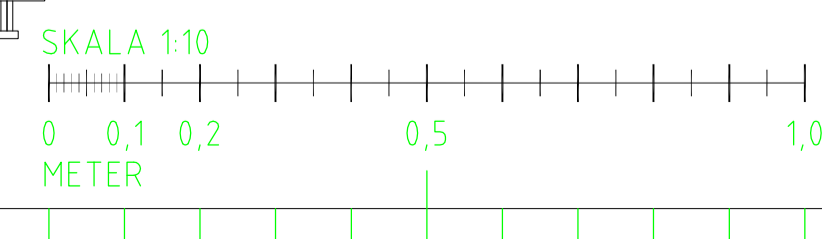
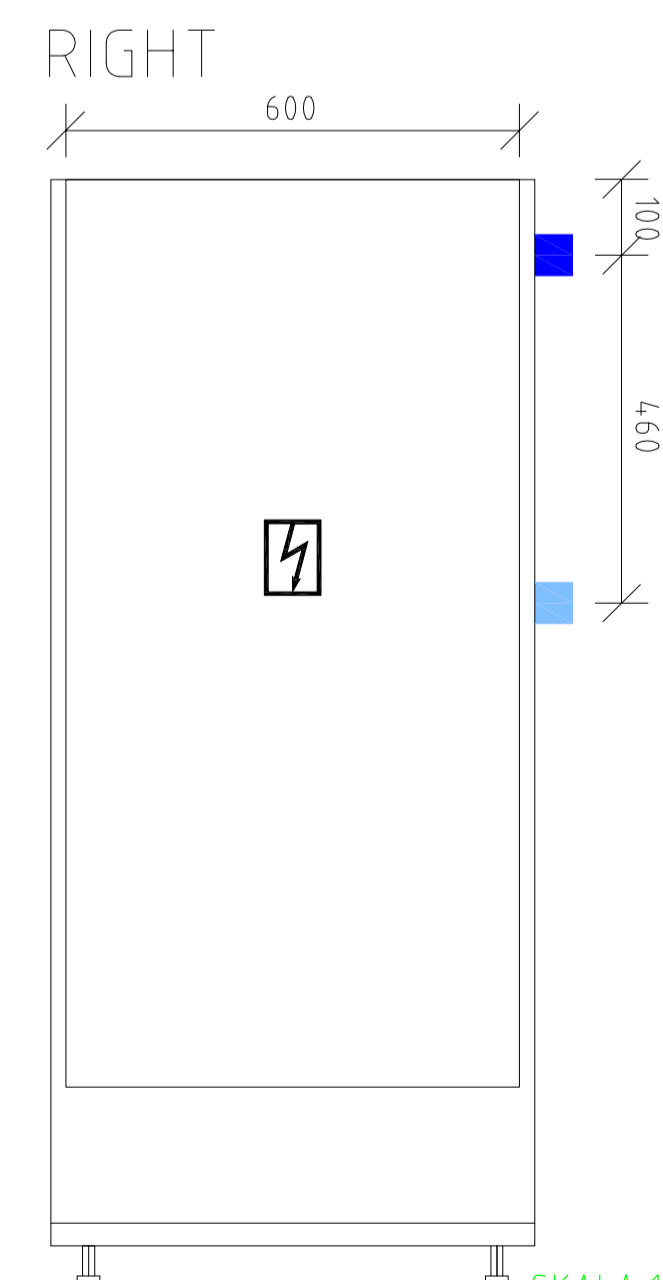
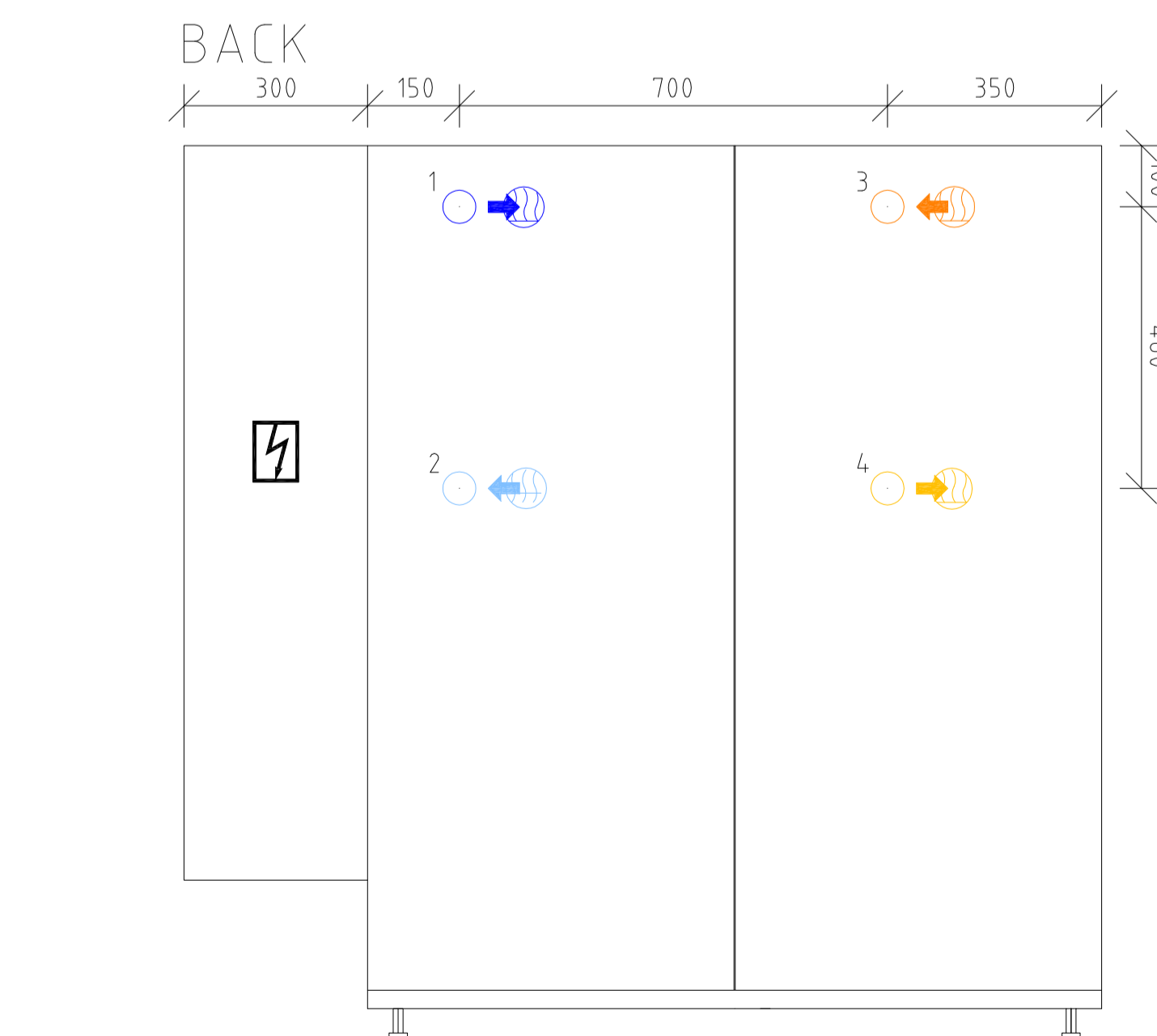
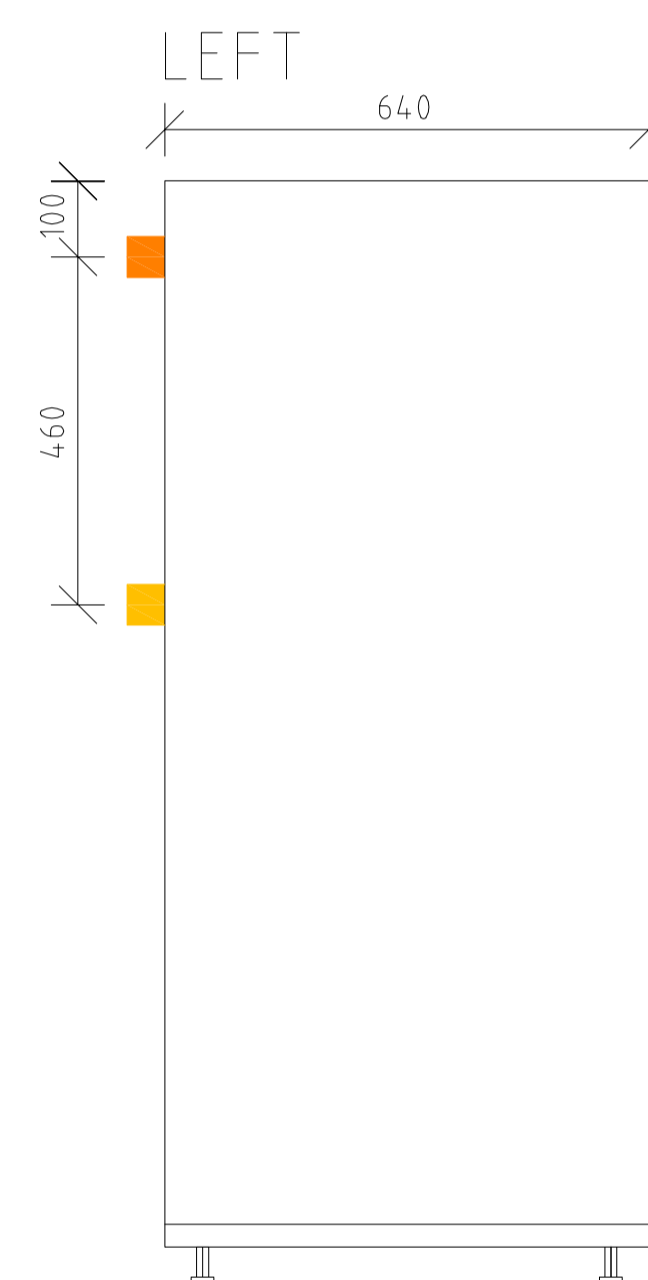
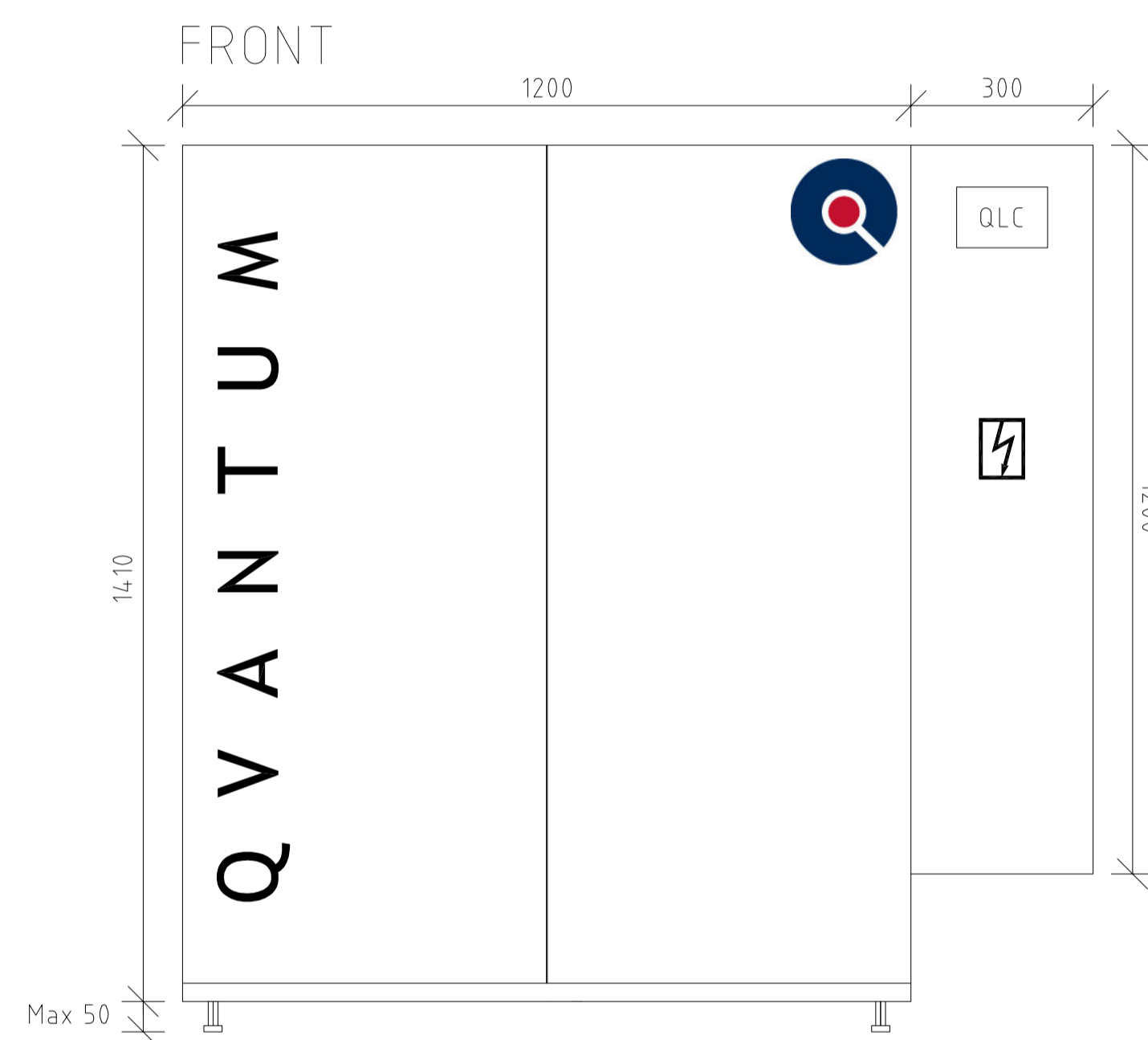
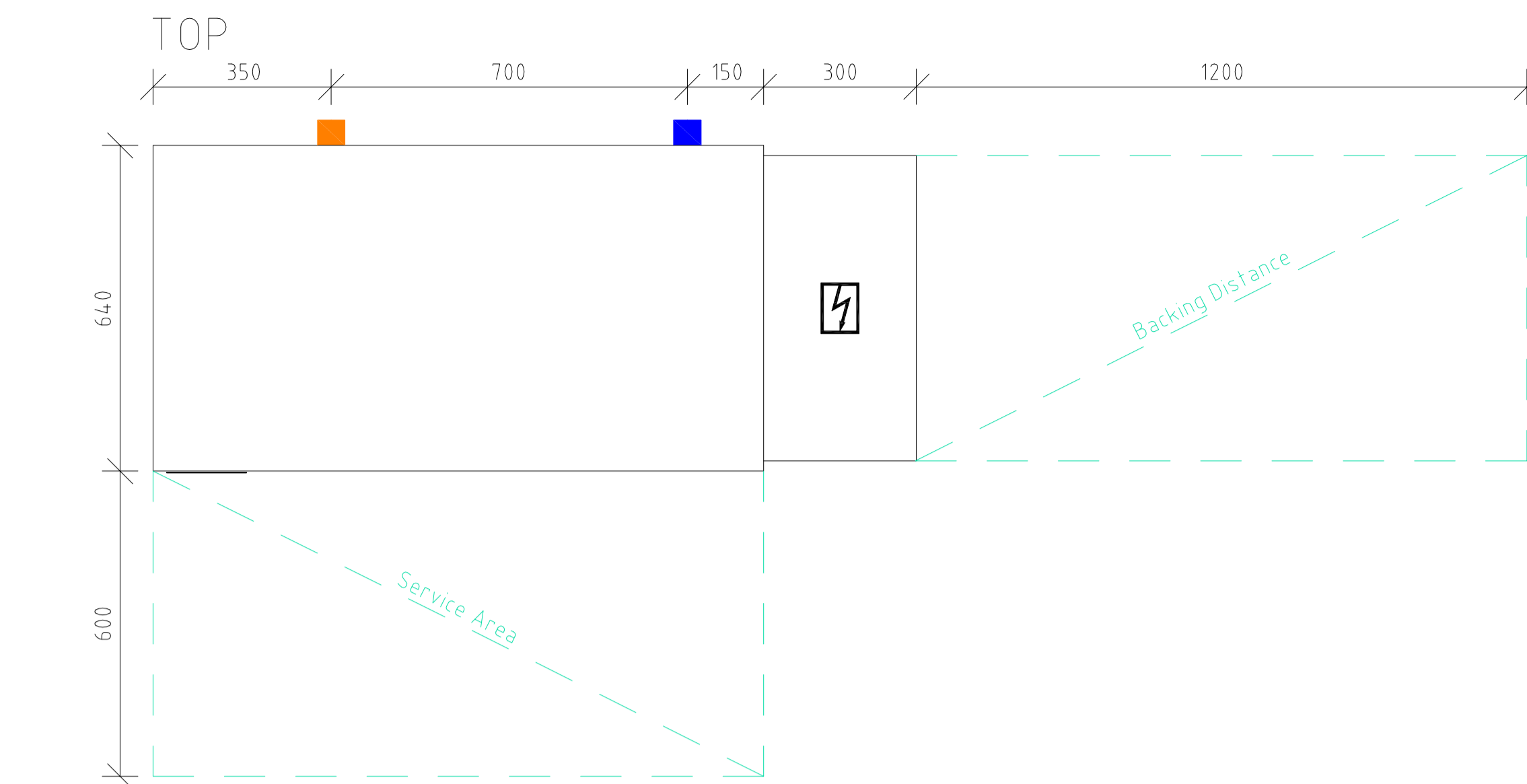
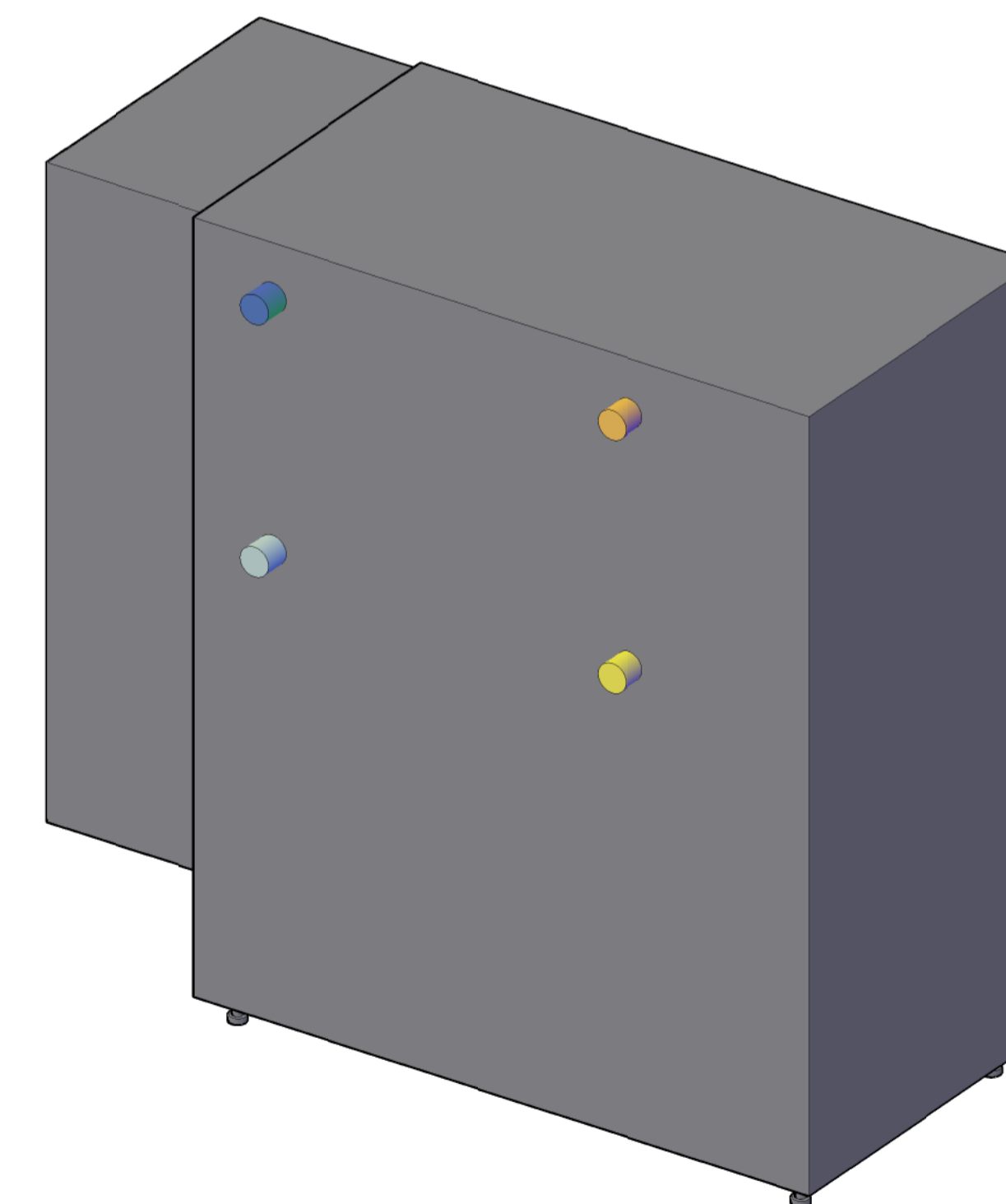
All measurements in millimeter.

All measurements with ±5 mm tolerance.

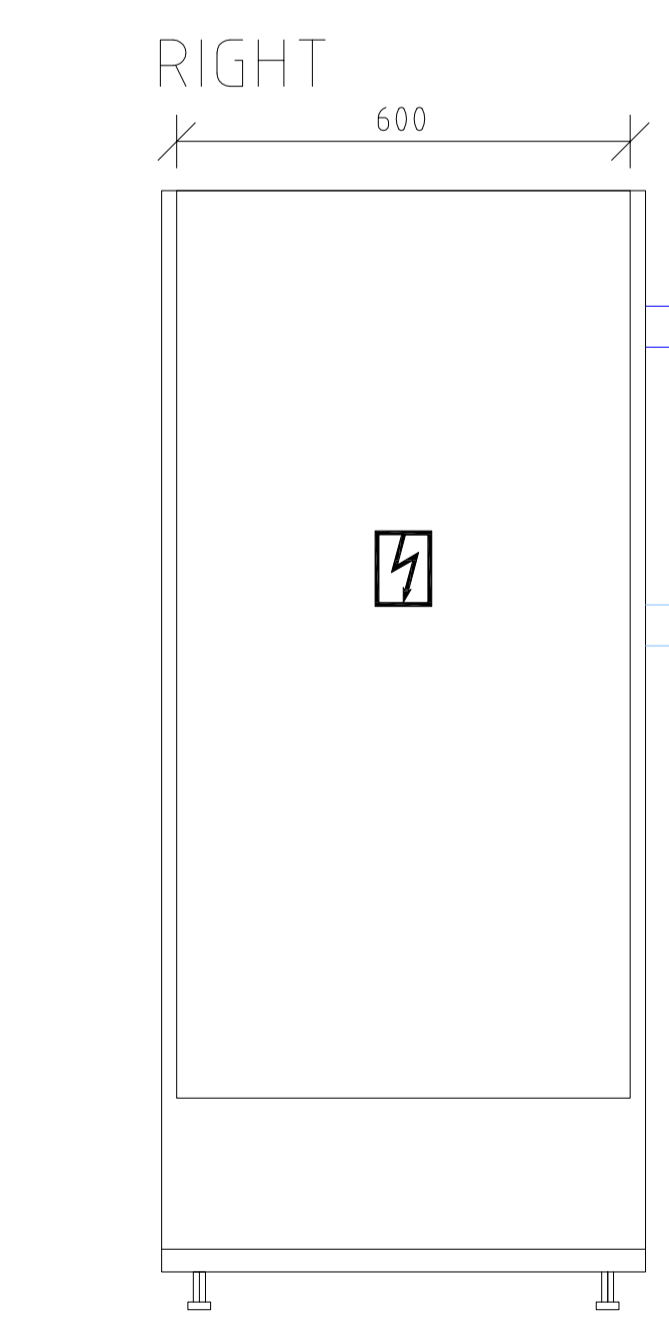
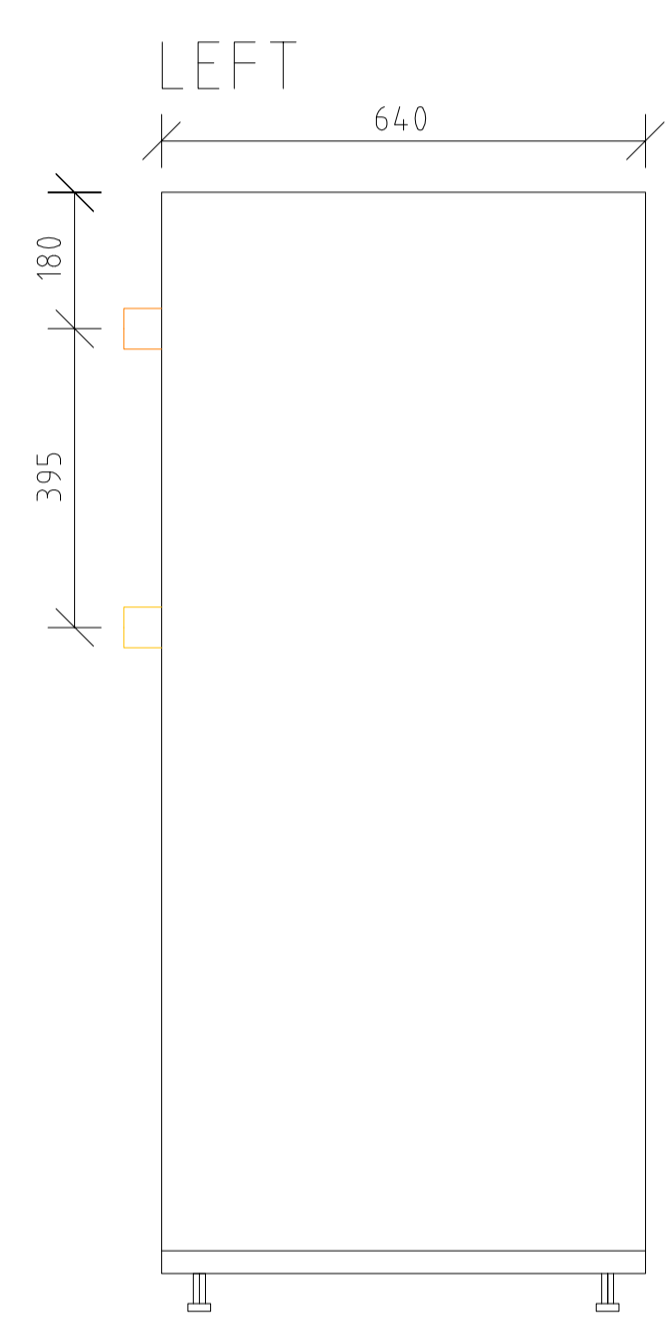
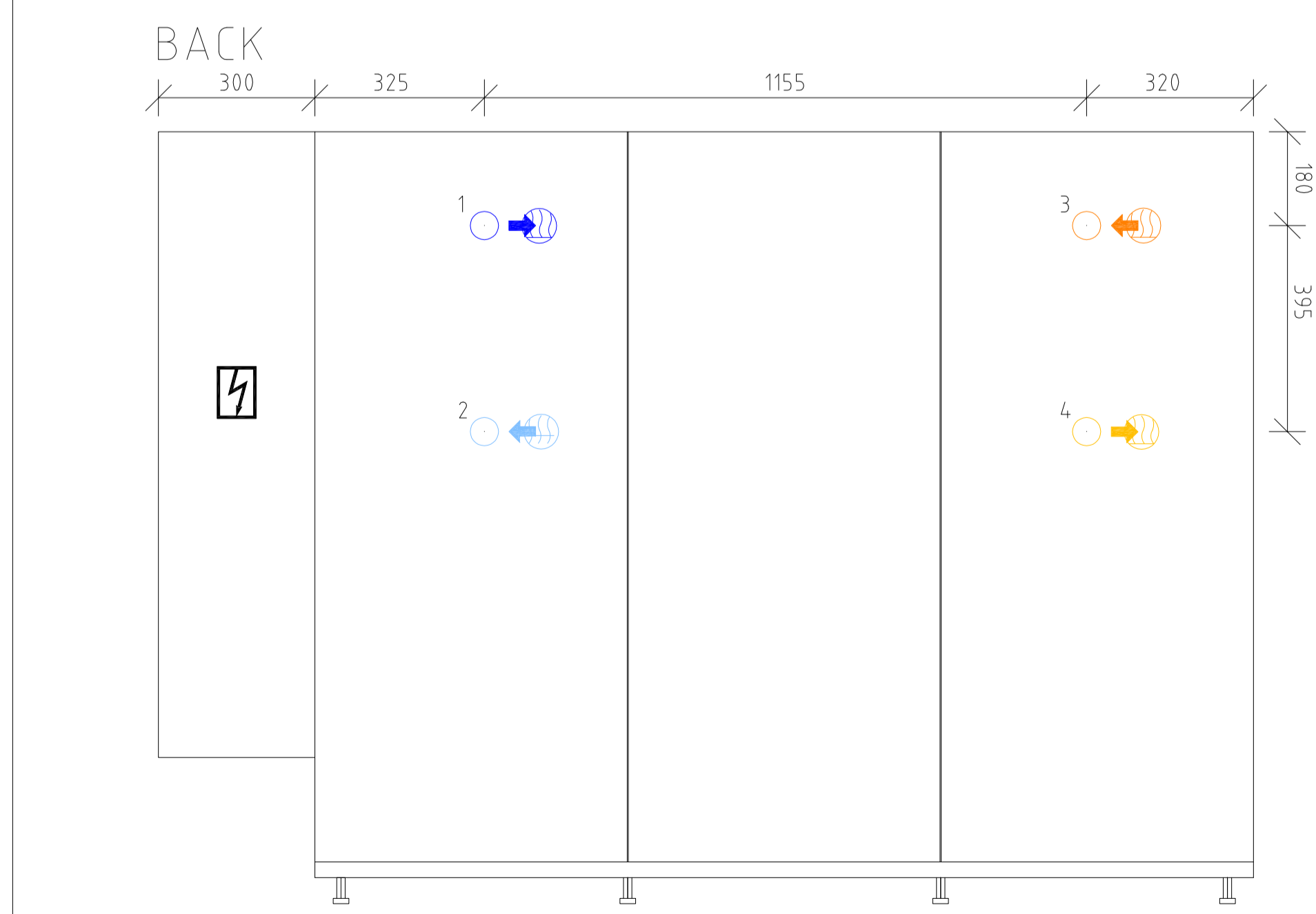
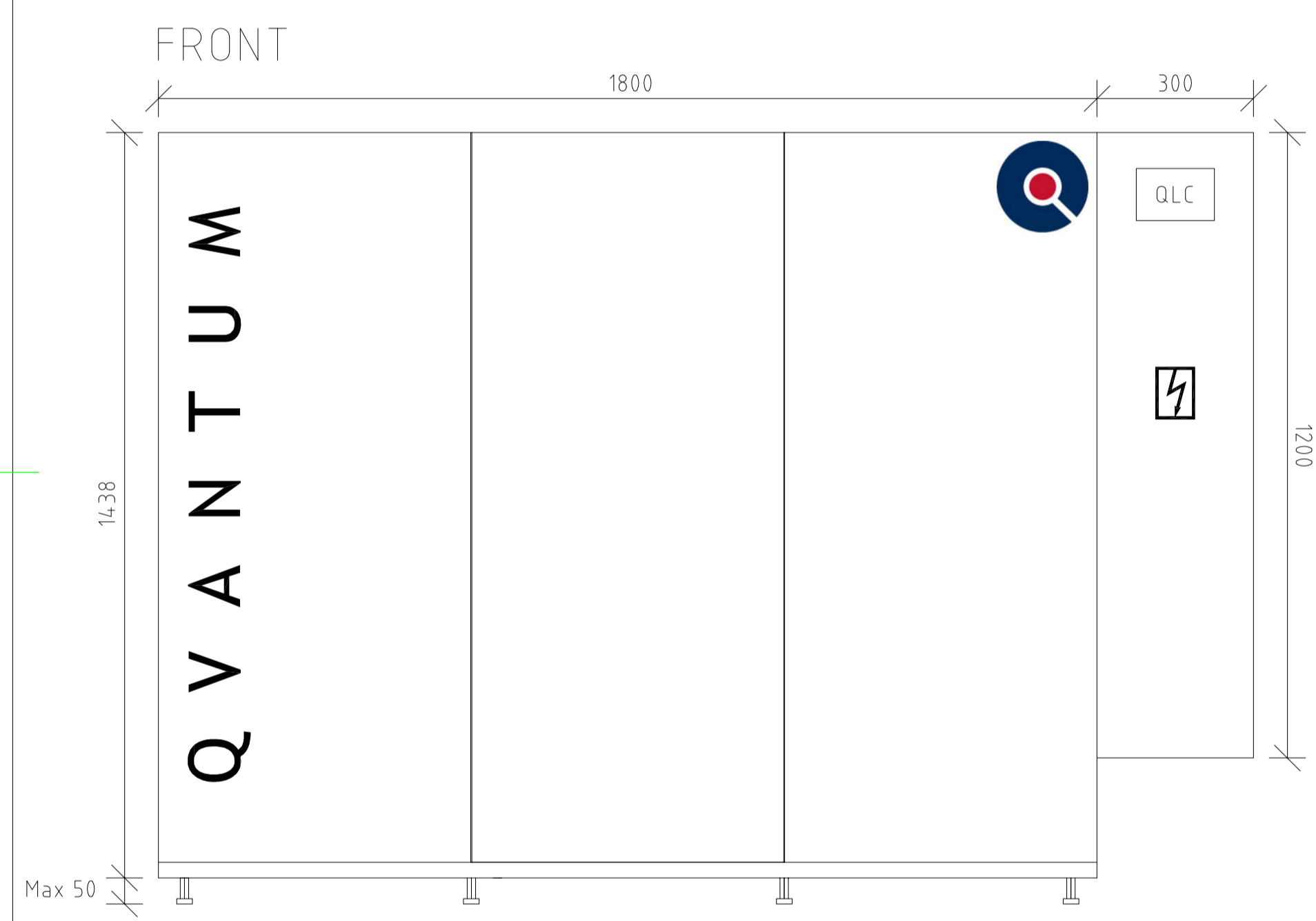
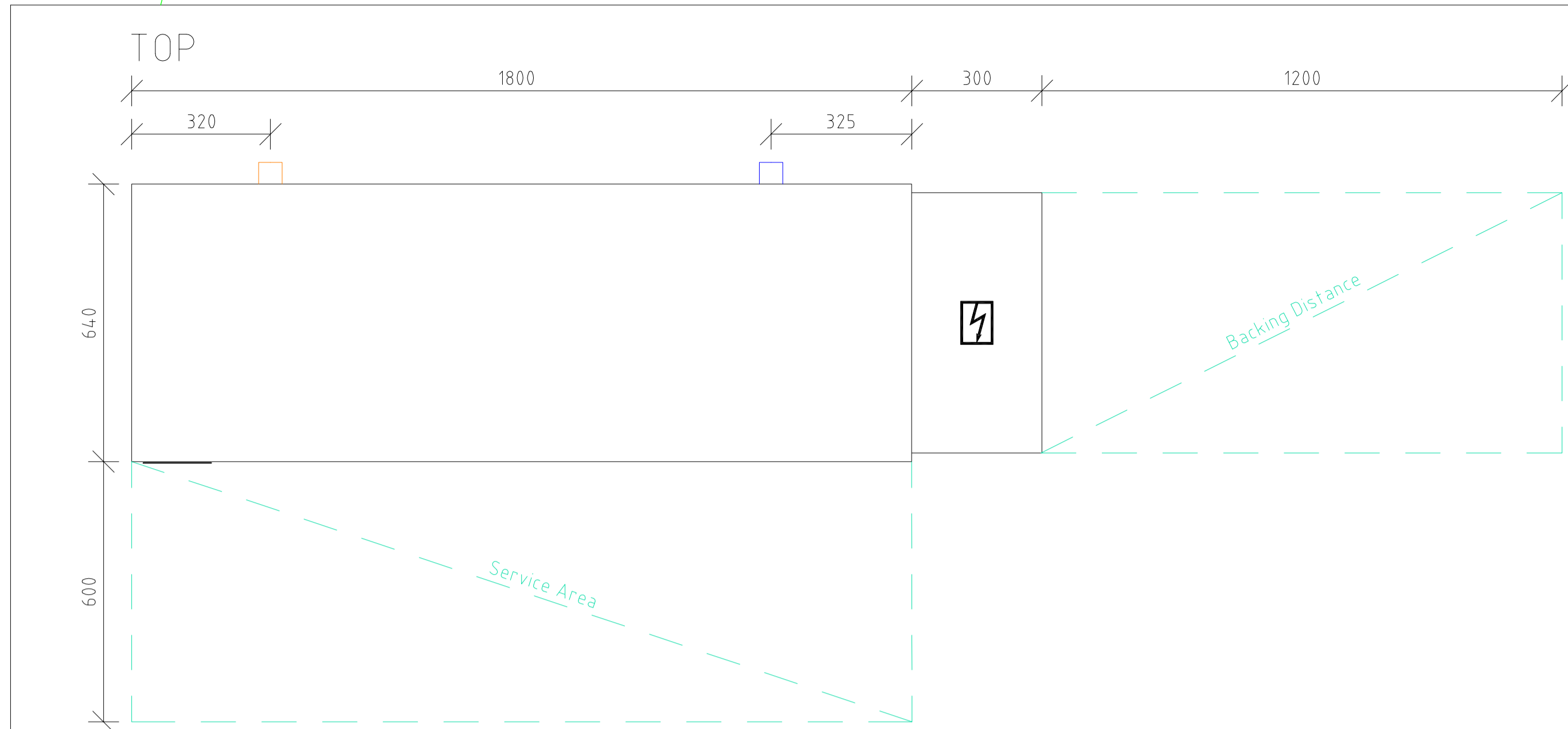
ISO, SE VIEW



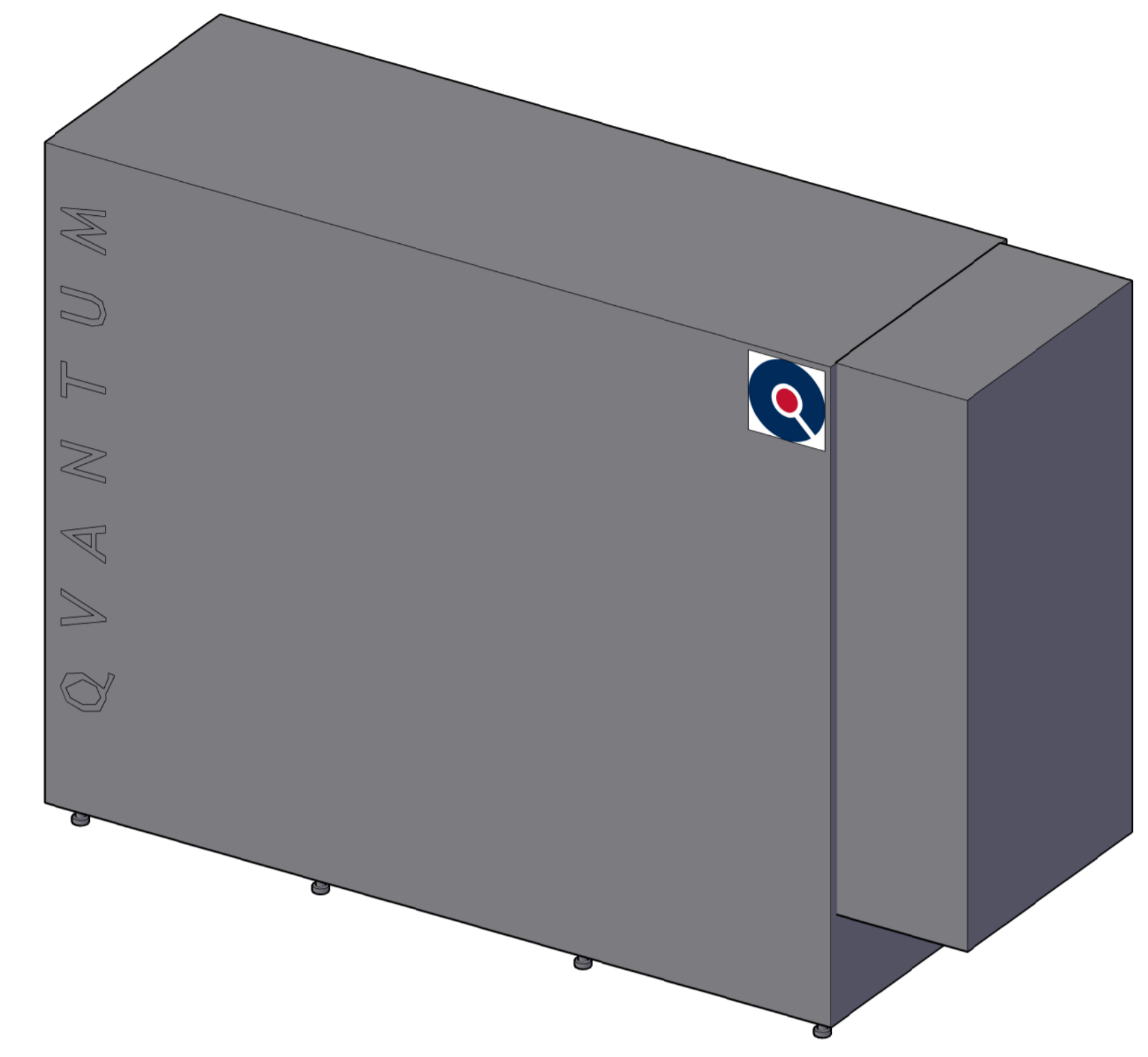
ISO, NW VIEW



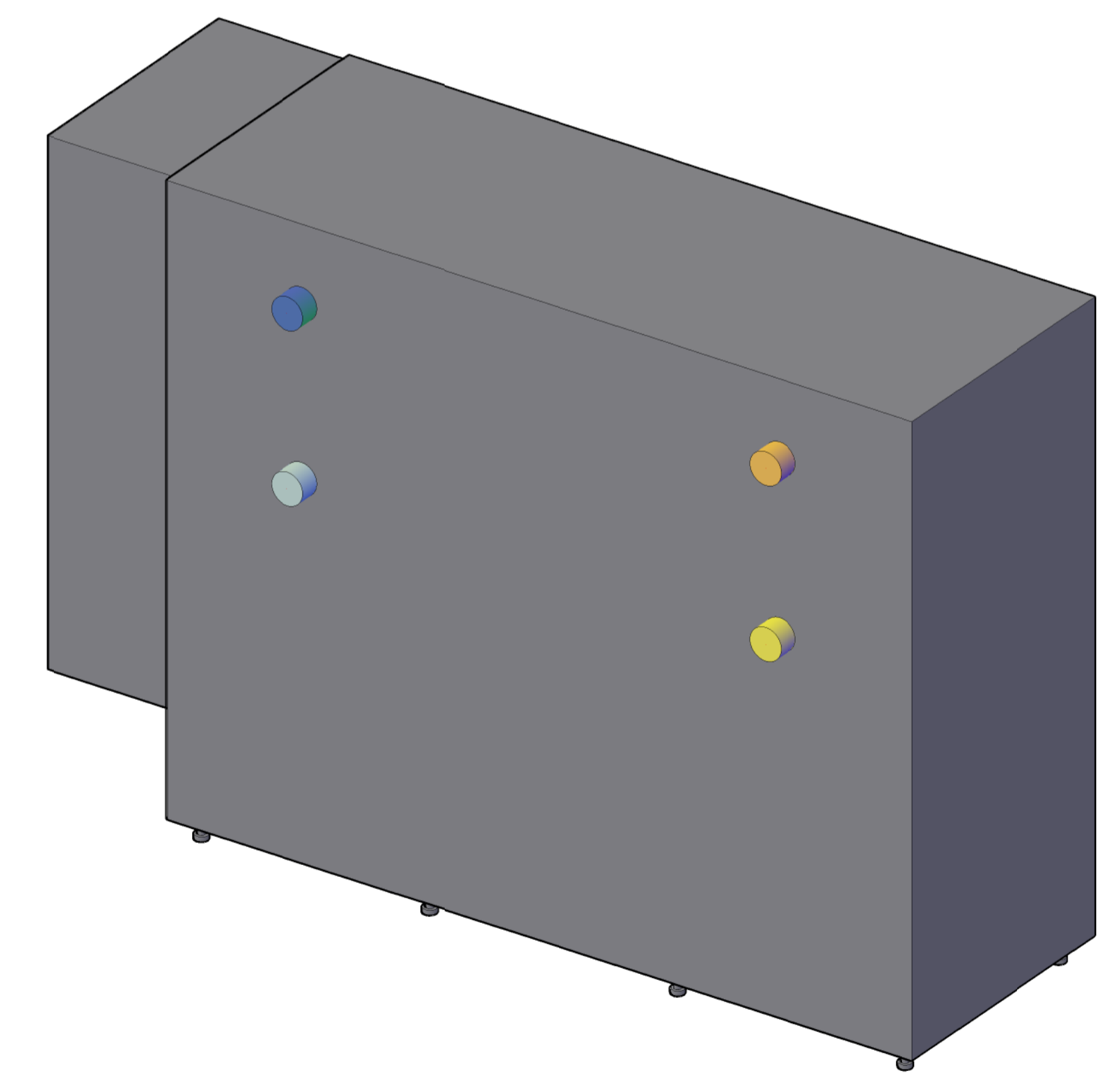
REV	REVISION TYPE	DATE	SIGN
PHASE MEASUREMENT DRAWING			
RS SERIES Q123RS/2 to Q144RS/2			
QVANTUM ENERGI AB Ringugnsgatan 12 216 16 Limhamn, Sweden www.qvantum.com			
A	XXX	phone XXX-XXXX	fax XXX-XXXX
K	XXX	phone XXX-XXXX	fax XXX-XXXX
E	XXX	phone XXX-XXXX	fax XXX-XXXX
V	XXX	phone XXX-XXXX	fax XXX-XXXX
SPR	XXX	phone XXX-XXXX	fax XXX-XXXX
BR	XXX	phone XXX-XXXX	fax XXX-XXXX
M	XXX	phone XXX-XXXX	fax XXX-XXXX
HP	Qvantum Energi AB	phone +46(0)40-15 10 44	fax XXX-XXXX
PROJECT NUMBER	DRAWN BY	MANAGED BY	
-	J.E.	J.E.	
DATE	APPROVED BY		
2022-11-10	L.B.		
QVANTUM ENERGI AB RS SERIES HEAT PUMPS MEASUREMENT DRAWING			
SCALE	DRAWING NUMBER	REV	
1:10 (A1) 1:20 (A3)	Q-RS2-123-144-001		



ISO, SE VIEW



ISO, NW VIEW



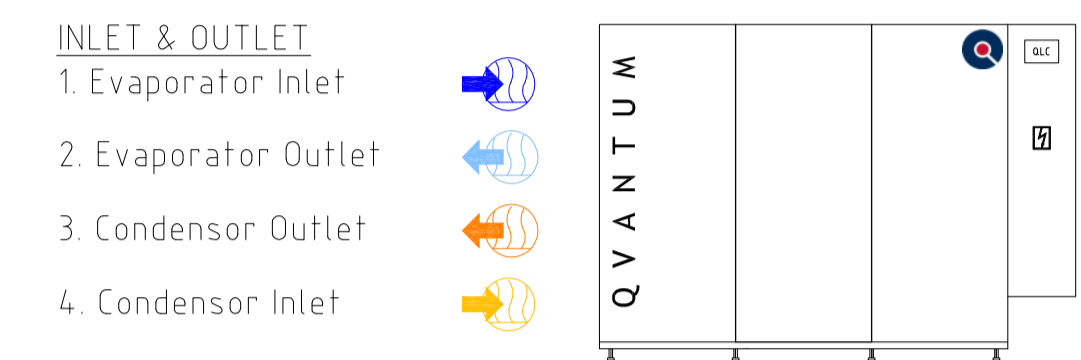
QVANTUM HEAT PUMPS

Drawing refers to Qvantum RS/2 Heat Pumps.

MODEL RANGE
Q162RS/2 to Q192RS/2.

CONNECTION PLACEMENT
Back side connection.

CONNECTION SIZES
Q162RS/2 and Q192RS/2
Condensator - DN65 ext thread
Evaporator - DN65 ext thread



Power Supply.

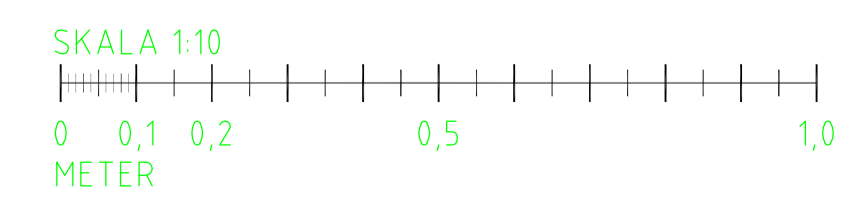
Electric Cabinet can be placed on either side.

All components inside heat pump are available from front.

All measurements in millimeter.

All measurements with ±5 mm tolerance.

REV	REVISION TYPE	DATE	SIGN
PHASE			
MEASUREMENT DRAWING			
RS SERIES Q162RS/2 to Q192RS/2			
QVANTUM ENERGI AB Ringugnsgatan 12 216 16 Limhamn, Sweden www.qvantum.com			
A	XXX	phone XXX-XXXX	fax XXX-XXXX
K	XXX	phone XXX-XXXX	fax XXX-XXXX
E	XXX	phone XXX-XXXX	fax XXX-XXXX
V	XXX	phone XXX-XXXX	fax XXX-XXXX
SPR	XXX	phone XXX-XXXX	fax XXX-XXXX
BR	XXX	phone XXX-XXXX	fax XXX-XXXX
M	XXX	phone XXX-XXXX	fax XXX-XXXX
HP	Qvantum Energi AB	phone +46(0)40-15 10 44	fax XXX-XXXX
PROJECT NUMBER		DRAWN BY	MANAGED BY
-		J.E.	J.E.
DATE		APPROVED BY	
2022-11-10		L.B.	
QVANTUM ENERGI AB			
RS SERIES HEAT PUMPS			
MEASUREMENT DRAWING			
SCALE	DRAWING NUMBER		REV
1:10 (A1)	Q-RS2-162-192-001		
1:20 (A3)			



Subject to possible printing errors.
LAGER: SB11