

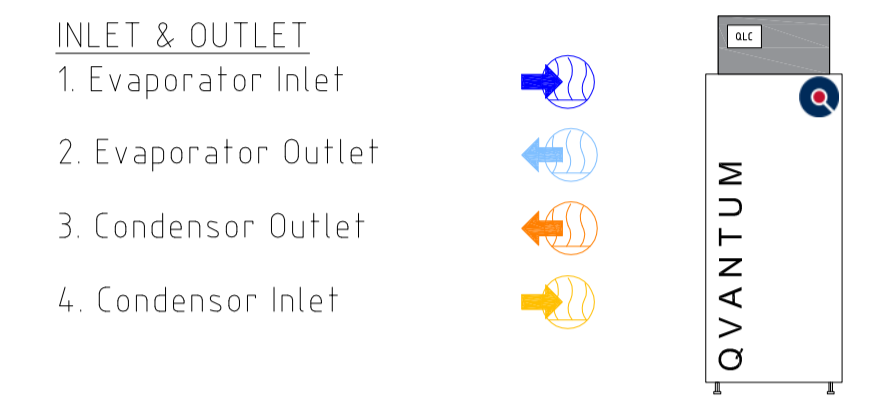
QVANTUM HEAT PUMPS

Drawing refers to Qvantum LB4 series Heat Pumps.

MODEL RANGE
Q48LB4.

CONNECTION PLACEMENT
Top connection.

CONNECTION SIZES
Q48LB4
Condensor - Cu 35.0 mm
Evaporator - Cu 35.0 mm



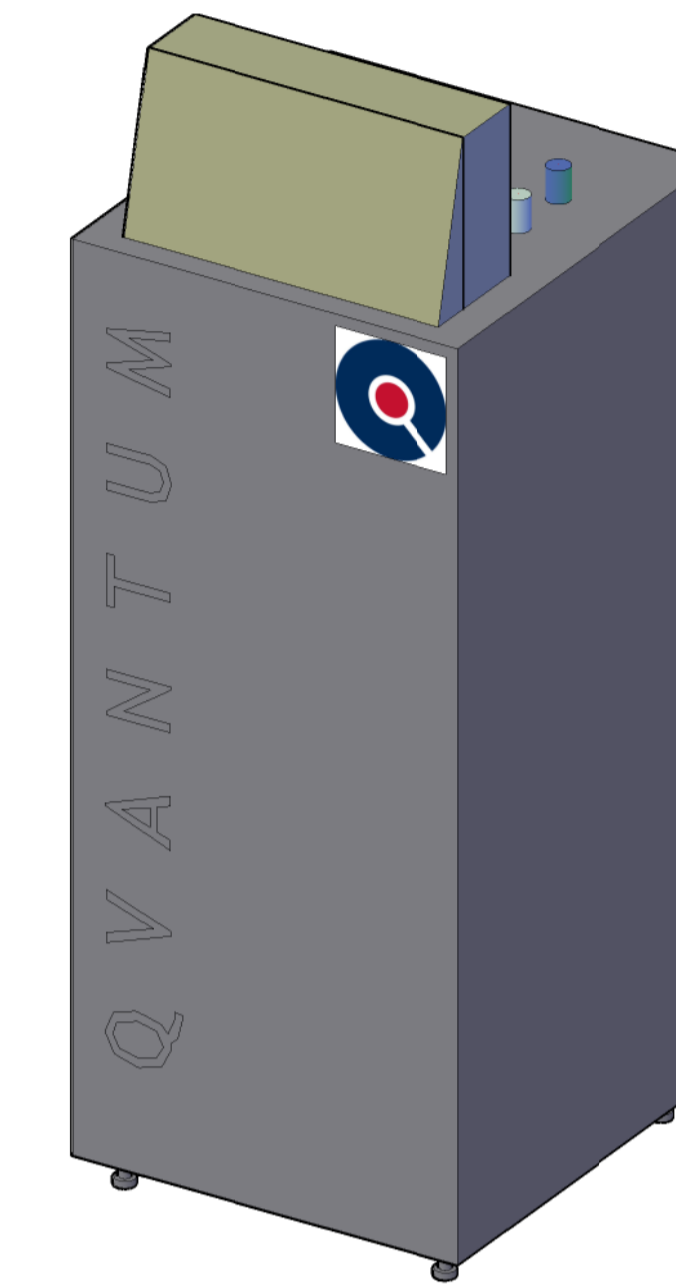
Power Supply.

All components inside heat pump are available from front.

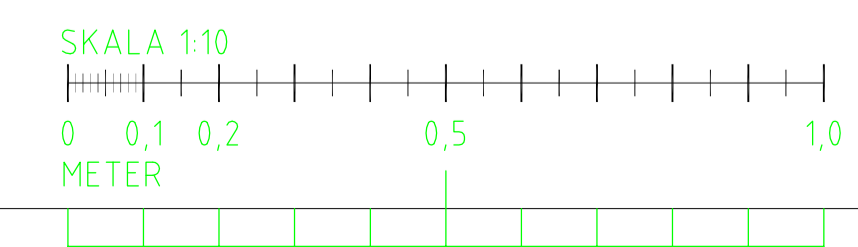
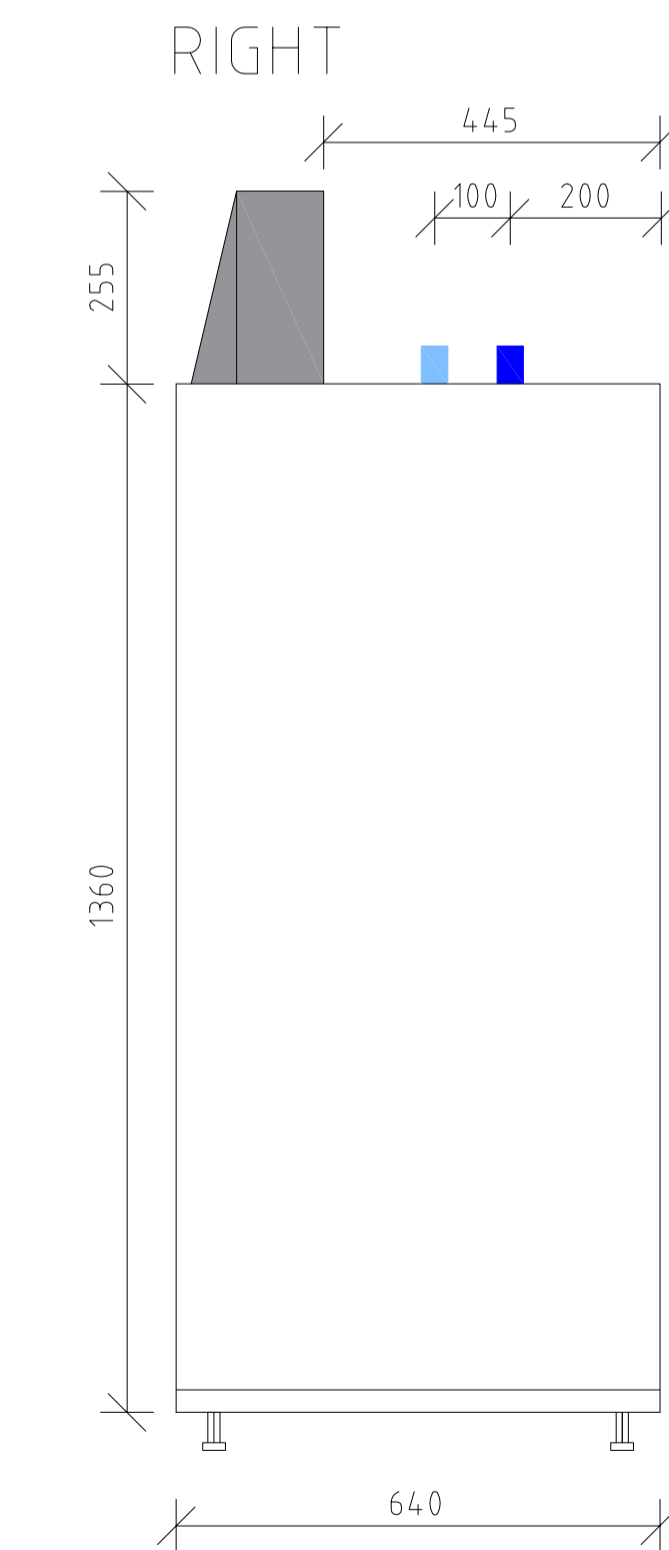
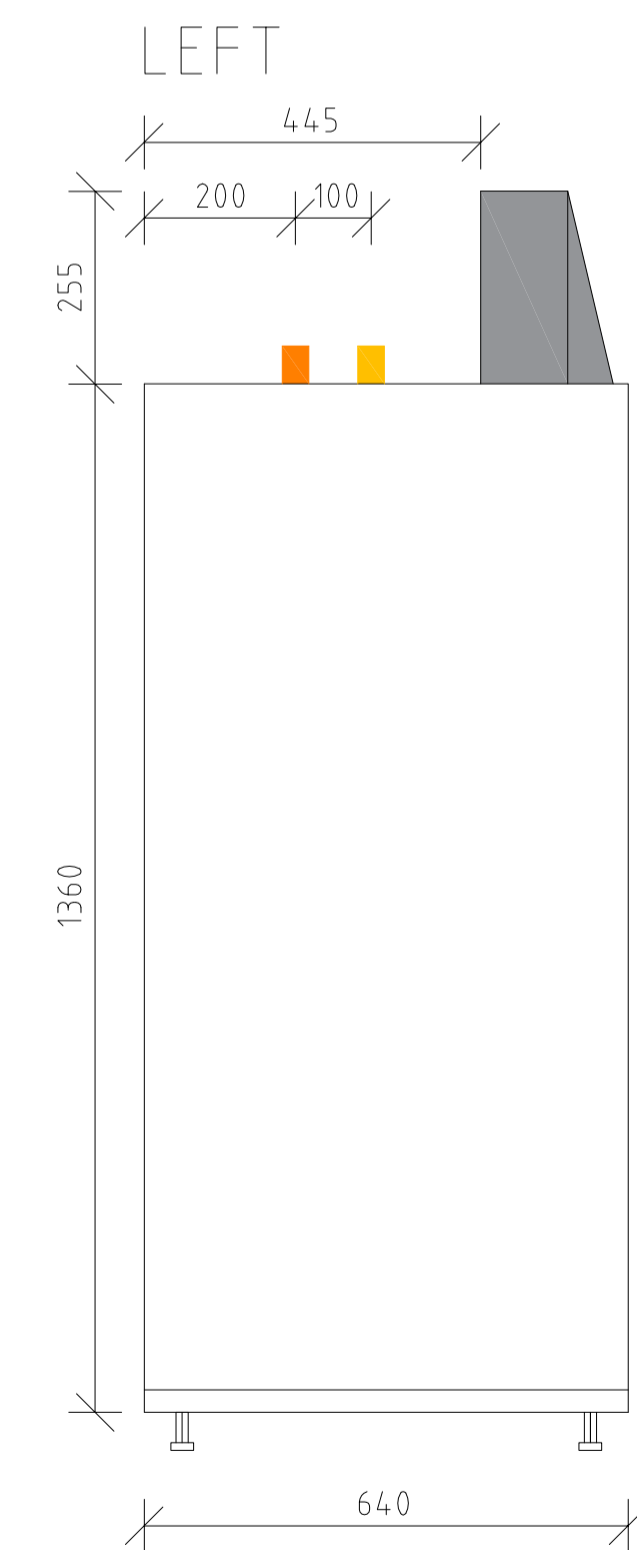
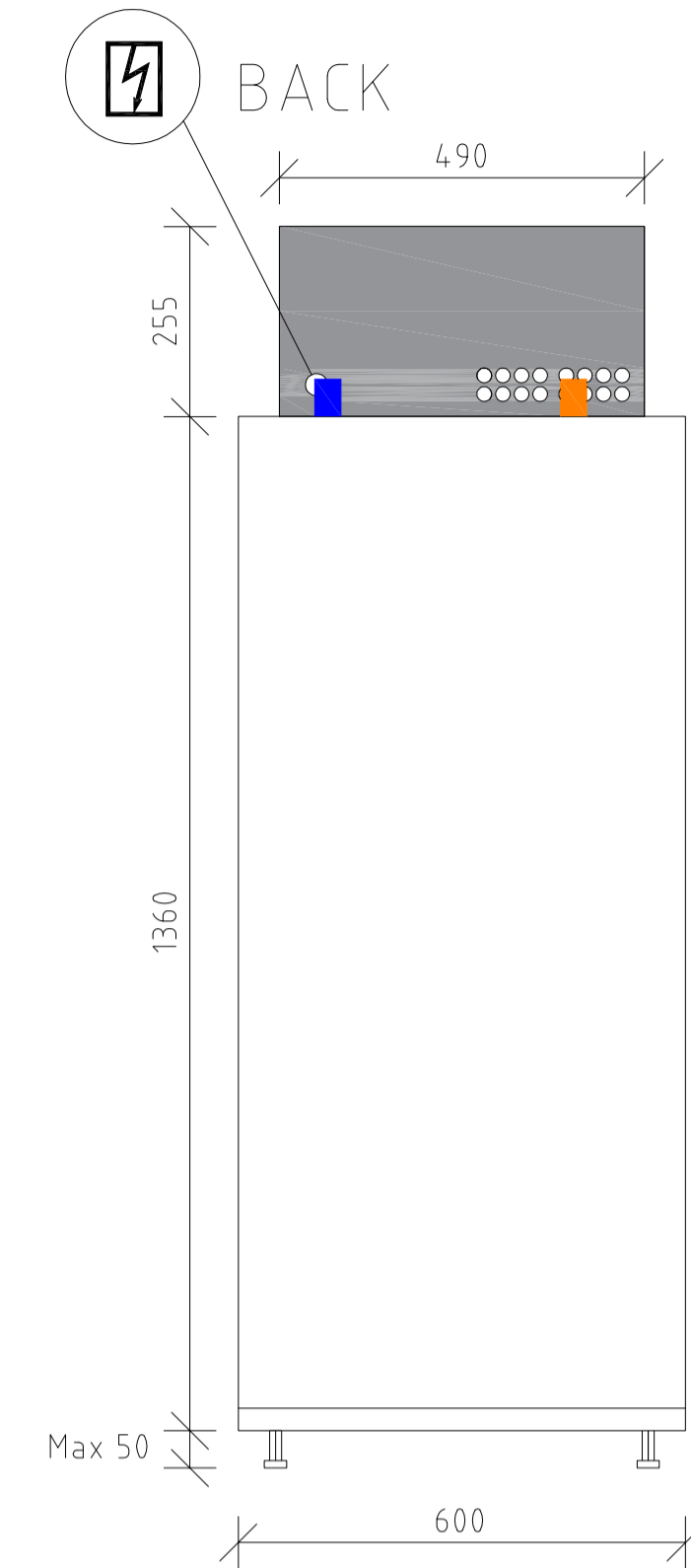
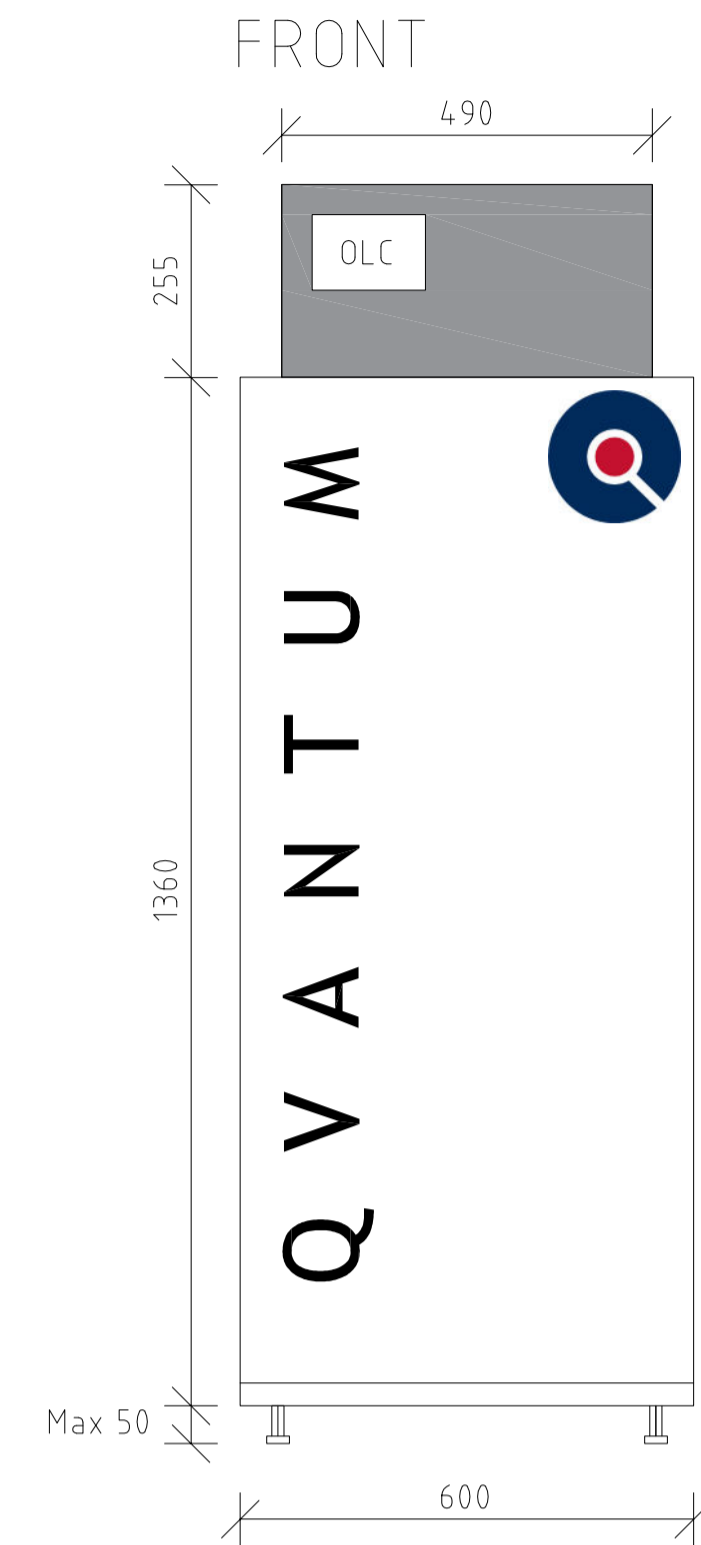
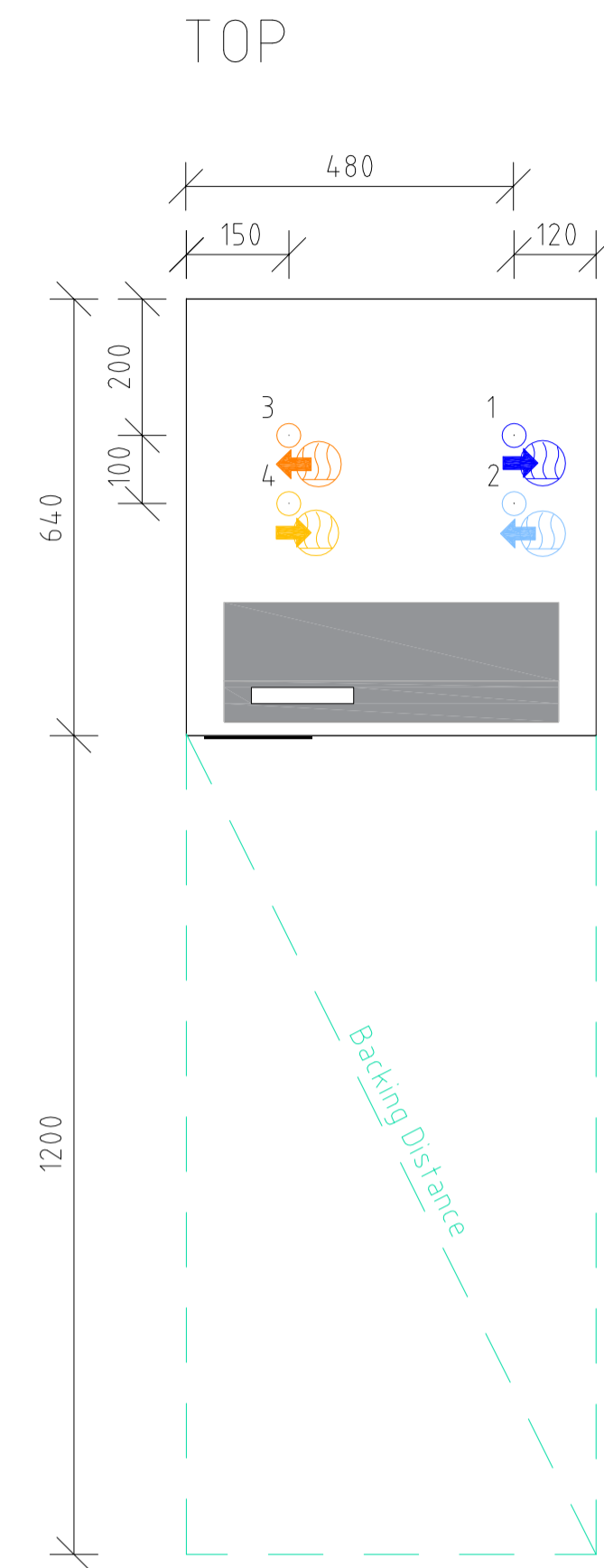
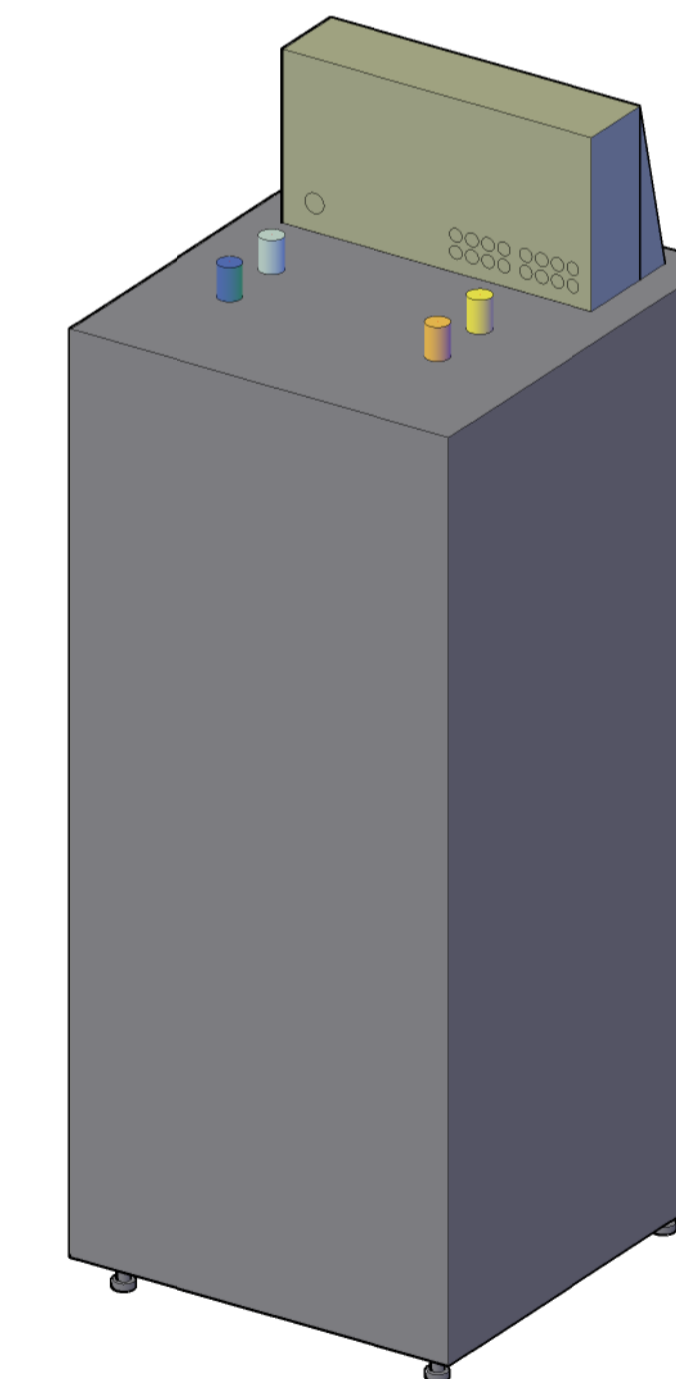
All measurements in millimeter.

All measurements with ±15 mm tolerance.

ISO, SE VIEW



ISO, NW VIEW



REV	REVISION TYPE	DATE	SIGN
PHASE			
MEASUREMENT DRAWING			
QVANTUM LB4 Q48LB4			
QVANTUM ENERGI AB Ringugnsgatan 12 216 16 Limhamn, Sweden www.qvantum.com			
A	XXX	phone XXX-XXXX	fax XXX-XXXX
K	XXX	phone XXX-XXXX	fax XXX-XXXX
E	XXX	phone XXX-XXXX	fax XXX-XXXX
V	XXX	phone XXX-XXXX	fax XXX-XXXX
SPR	XXX	phone XXX-XXXX	fax XXX-XXXX
BR	XXX	phone XXX-XXXX	fax XXX-XXXX
M	XXX	phone XXX-XXXX	fax XXX-XXXX
HP	Qvantum Energi AB	phone +46 10 332 00 50	fax XXX-XXXX
PROJECT NUMBER		DRAWN BY	MANAGED BY
-		J.E.	
DATE		APPROVED BY	
2023-10-02			
QVANTUM ENERGI AB QVANTUM LB4 HEAT PUMPS MEASUREMENT DRAWING			
SCALE	DRAWING NUMBER		REV
1:10 (A1) 1:20 (A3)	Q-LB4-48-001		

QVANTUM HEAT PUMPS

Drawing refers to Fan Unit for Qvantum LB series Heat Pumps.

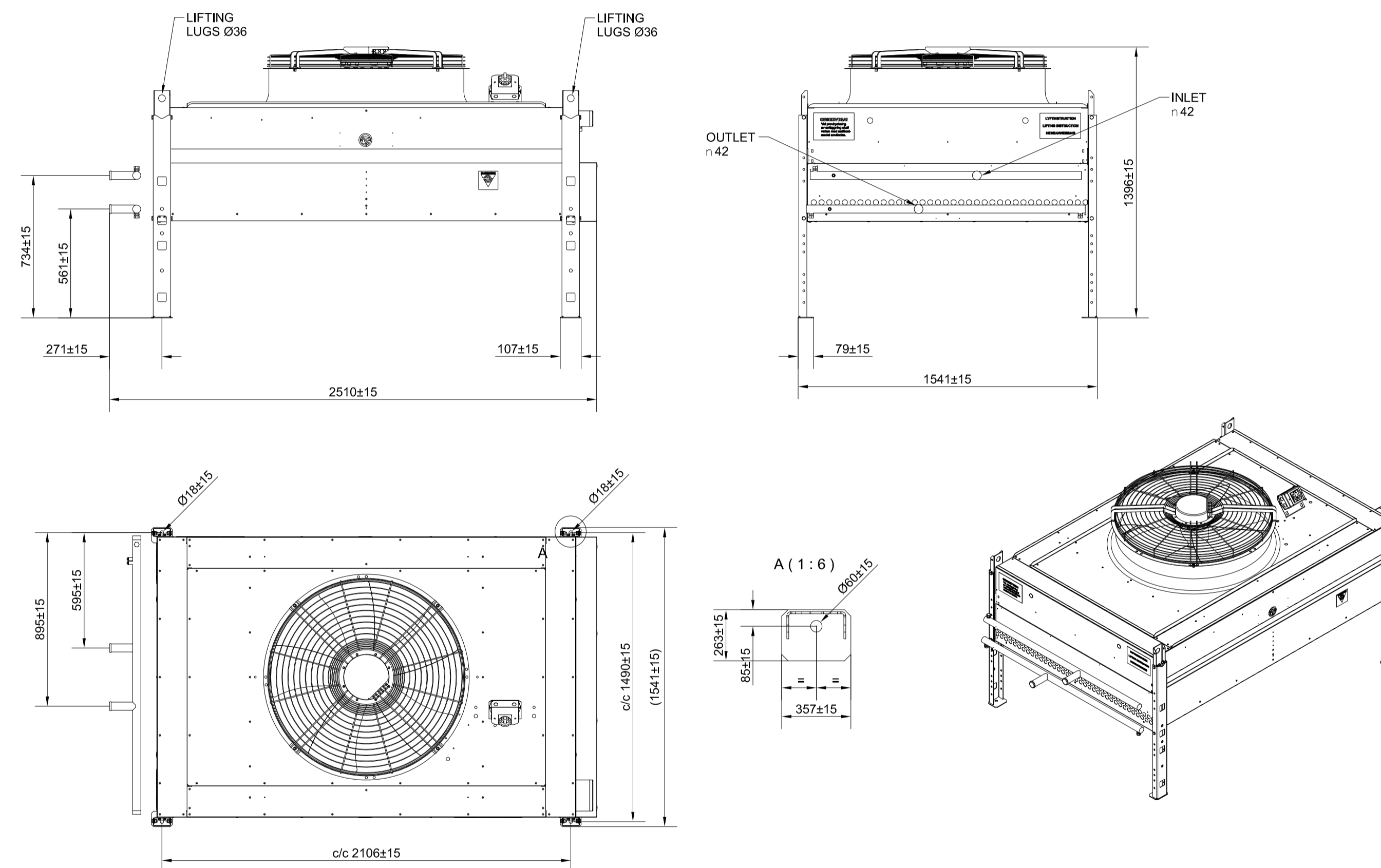
MODEL RANGE
Fan Unit for Qvantum Q48LB4.

CONNECTION PLACEMENT
Left side connection.

CONNECTION SIZES
OUTLET: Cu 42.0
INLET: Cu 42.0

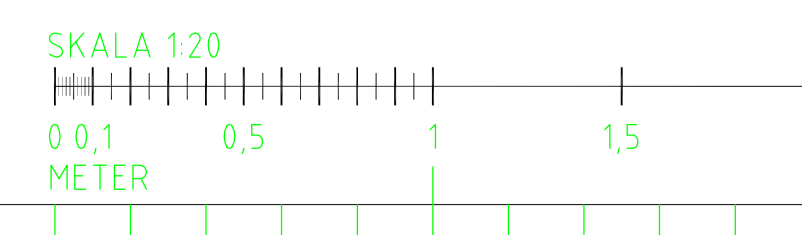
All measurements in millimeter.

All measurements with ±15 mm tolerance.



Subject to possible printing errors.

LAGER: SB11



REV	REVISION TYPE	DATE	SIGN
PHASE MEASUREMENT DRAWING			
Fan Unit for Q48LB4			
QVANTUM ENERGI AB Ringugnsgatan 12 216 16 Limhamn, Sweden www.qvantum.com			
A	XXX	phone XXX-XXX	fax XXX-XXX
K	XXX	phone XXX-XXX	fax XXX-XXX
E	XXX	phone XXX-XXX	fax XXX-XXX
V	XXX	phone XXX-XXX	fax XXX-XXX
SPR	XXX	phone XXX-XXX	fax XXX-XXX
BR	XXX	phone XXX-XXX	fax XXX-XXX
M	XXX	phone XXX-XXX	fax XXX-XXX
HP	Qvantum Energi AB	phone +46 10 332 00 50	fax XXX-XXX
PROJECT NUMBER		DRAWN BY	
-		J.E.	
DATE		APPROVED BY	
2023-05-04		J.E.	
QVANTUM ENERGI AB FAN UNIT FOR QVANTUM Q48LB4 MEASUREMENT DRAWING			
SCALE		DRAWING NUMBER	
1:20 (A1) 1:40 (A3)		Q-LB4-48-FU-001	

PLO 2023-05-04 19:48 J:\QVANTUM\01\INTERNT\AS\RINGUGN\MOD\SERIE LB4.DWG JONAS

QVANTUM HEAT PUMPS

Drawing refers to Qvantum LB4 Heat Pumps.

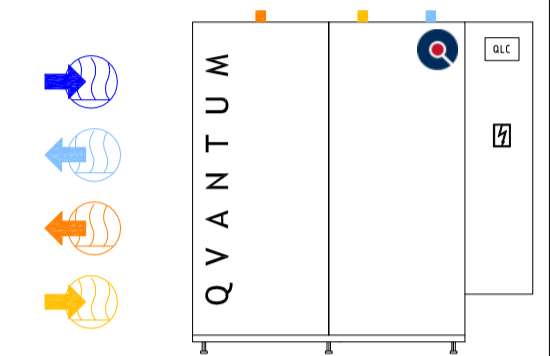
MODEL RANGE
Q65LB4 to Q96LB4.

CONNECTION PLACEMENT
Top connection.

CONNECTION SIZES
Q65LB4 to Q96LB4
Condensor - Cu 54.0 mm
Evaporator - Cu 54.0 mm

INLET & OUTLET

- 1. Evaporator Inlet
- 2. Evaporator Outlet
- 3. Condensor Outlet
- 4. Condensor Inlet



Power Supply.

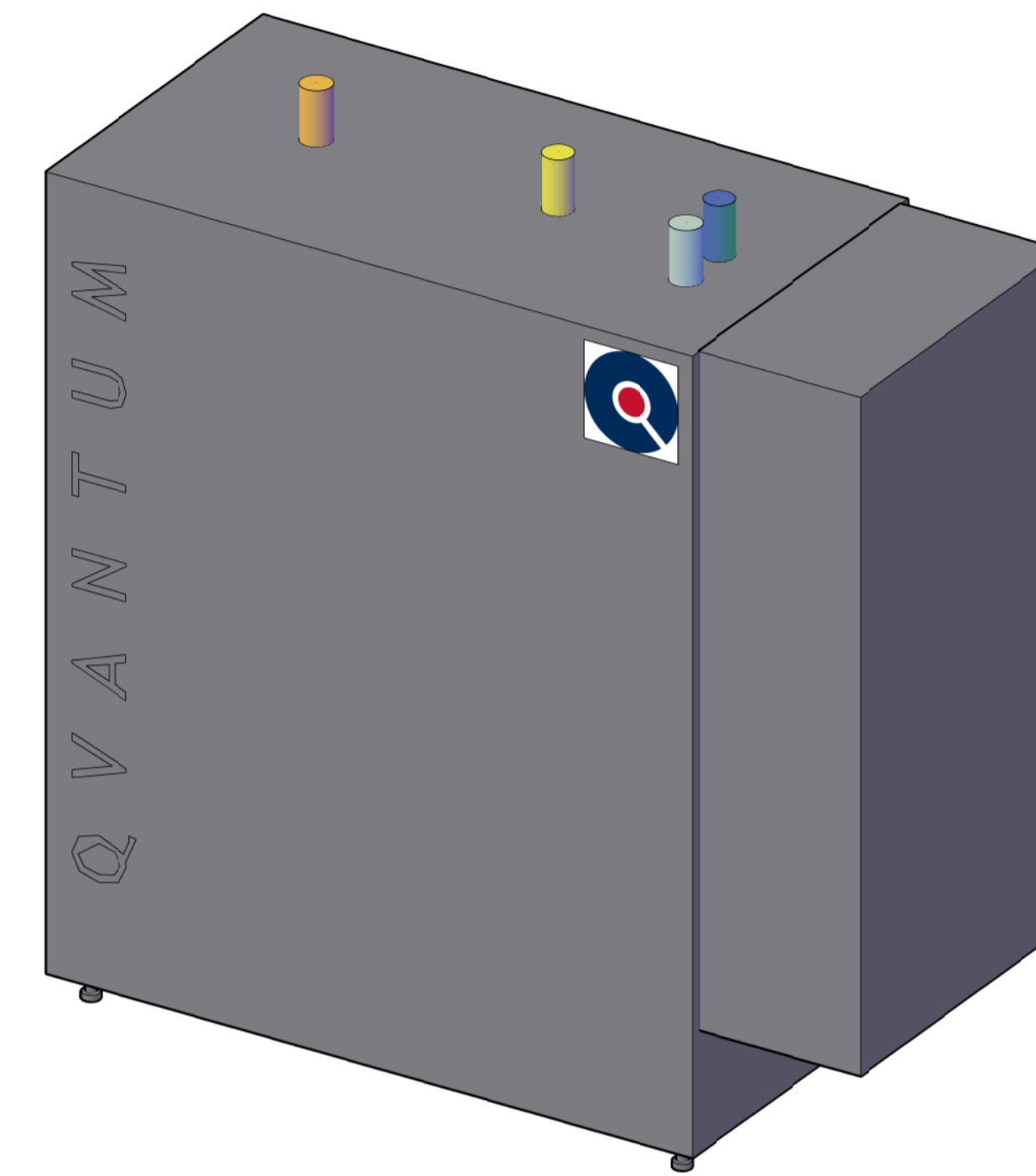
Electric Cabinet can be placed on either side.

All components inside heat pump are available from front.

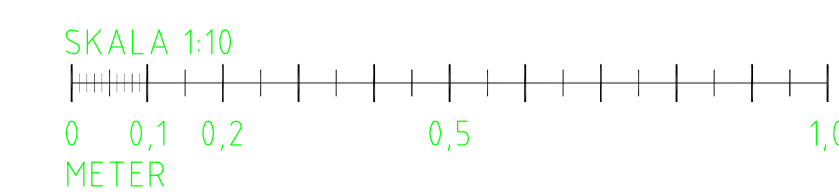
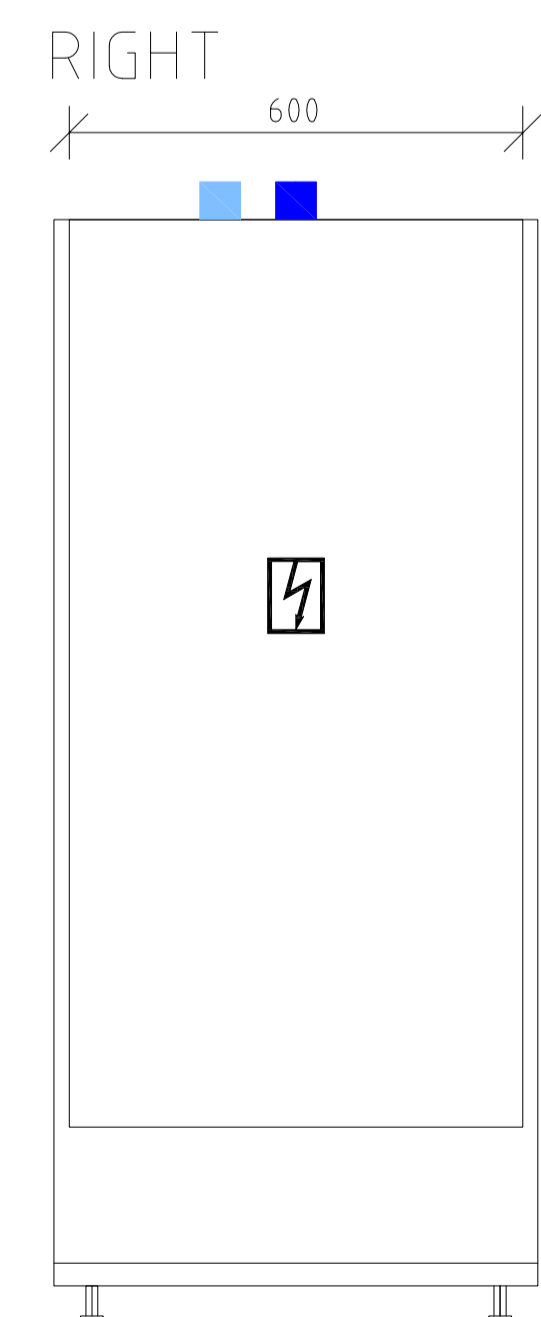
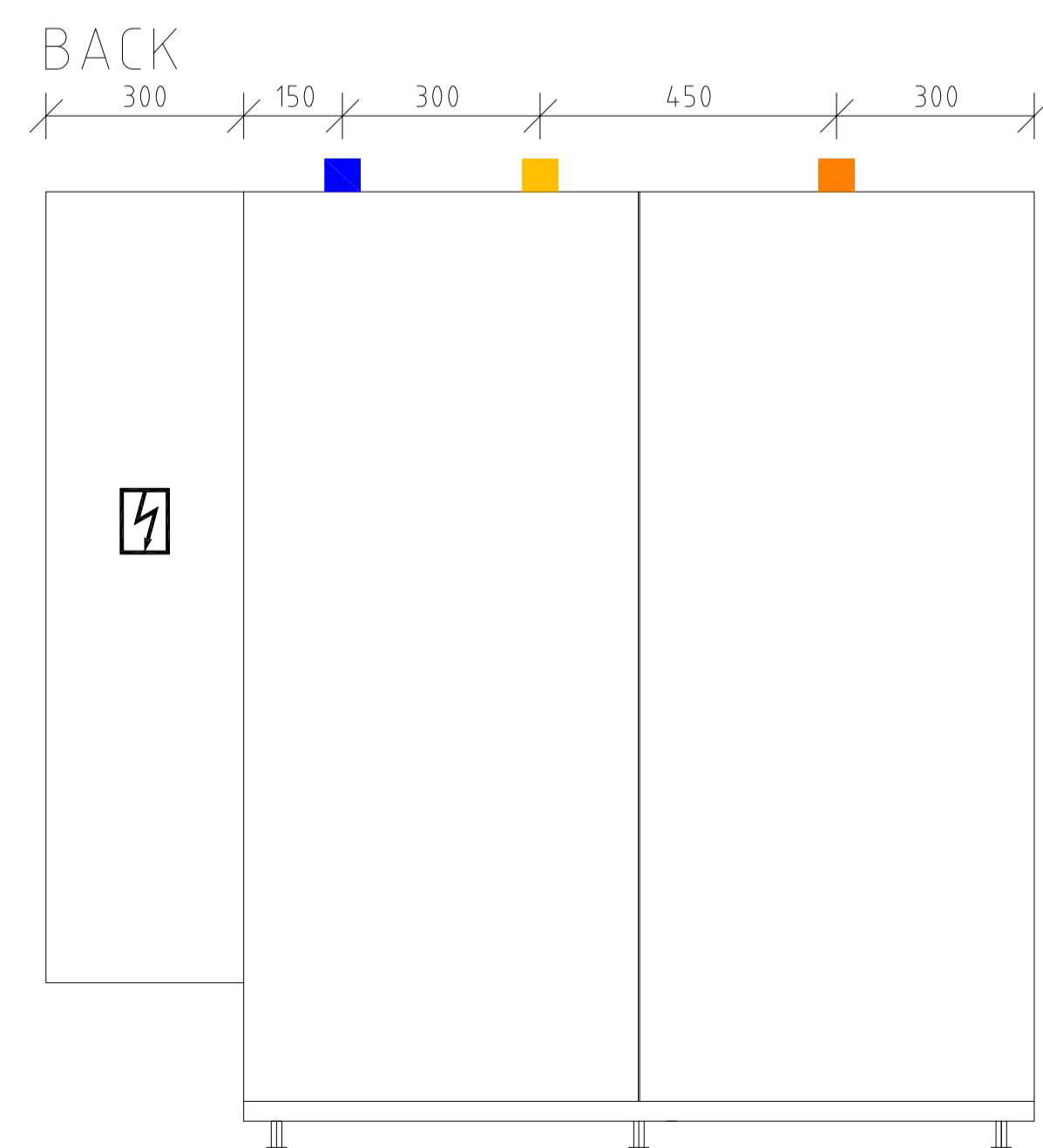
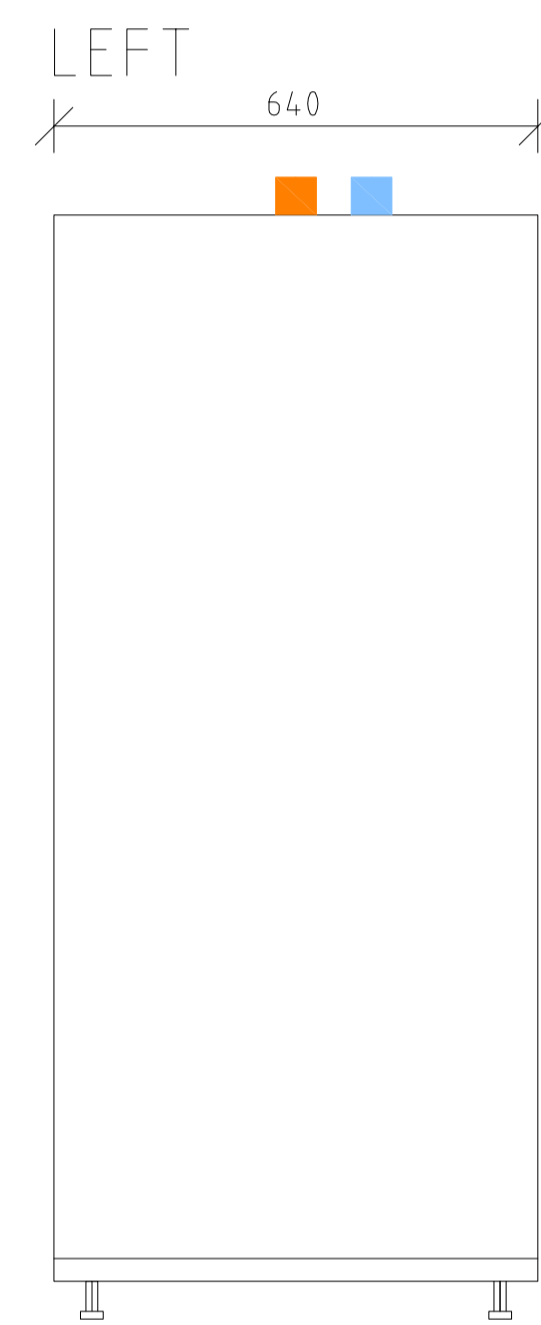
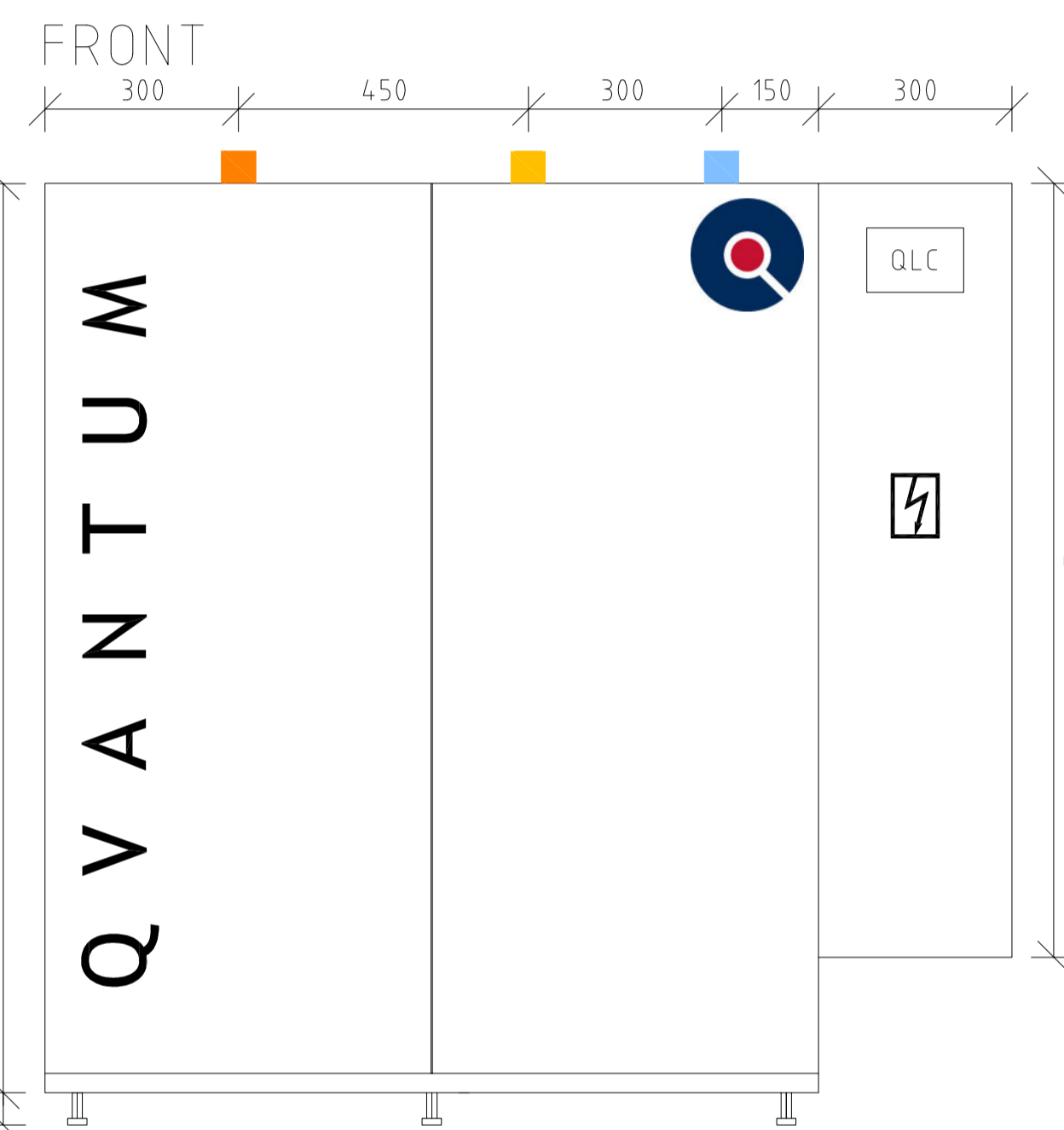
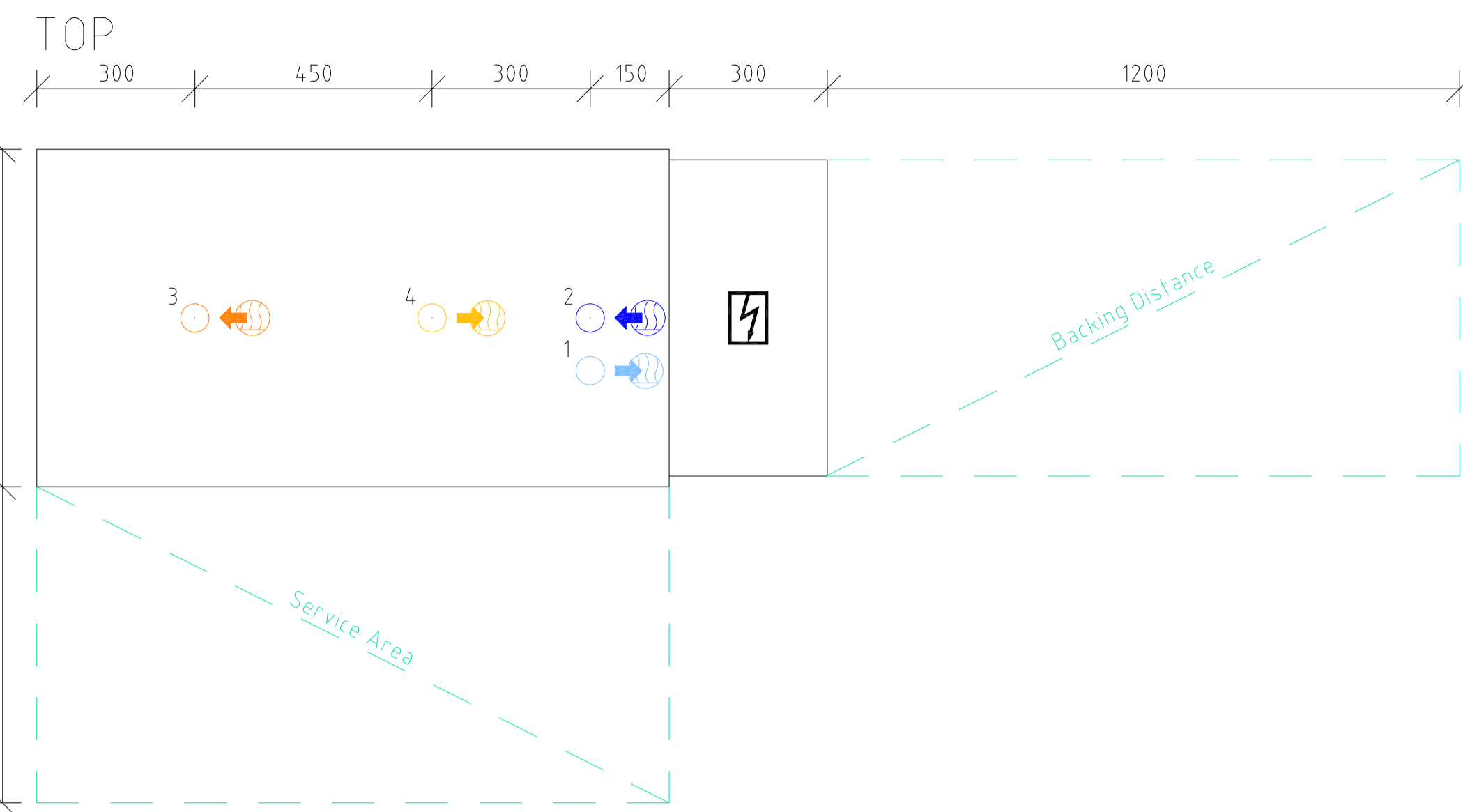
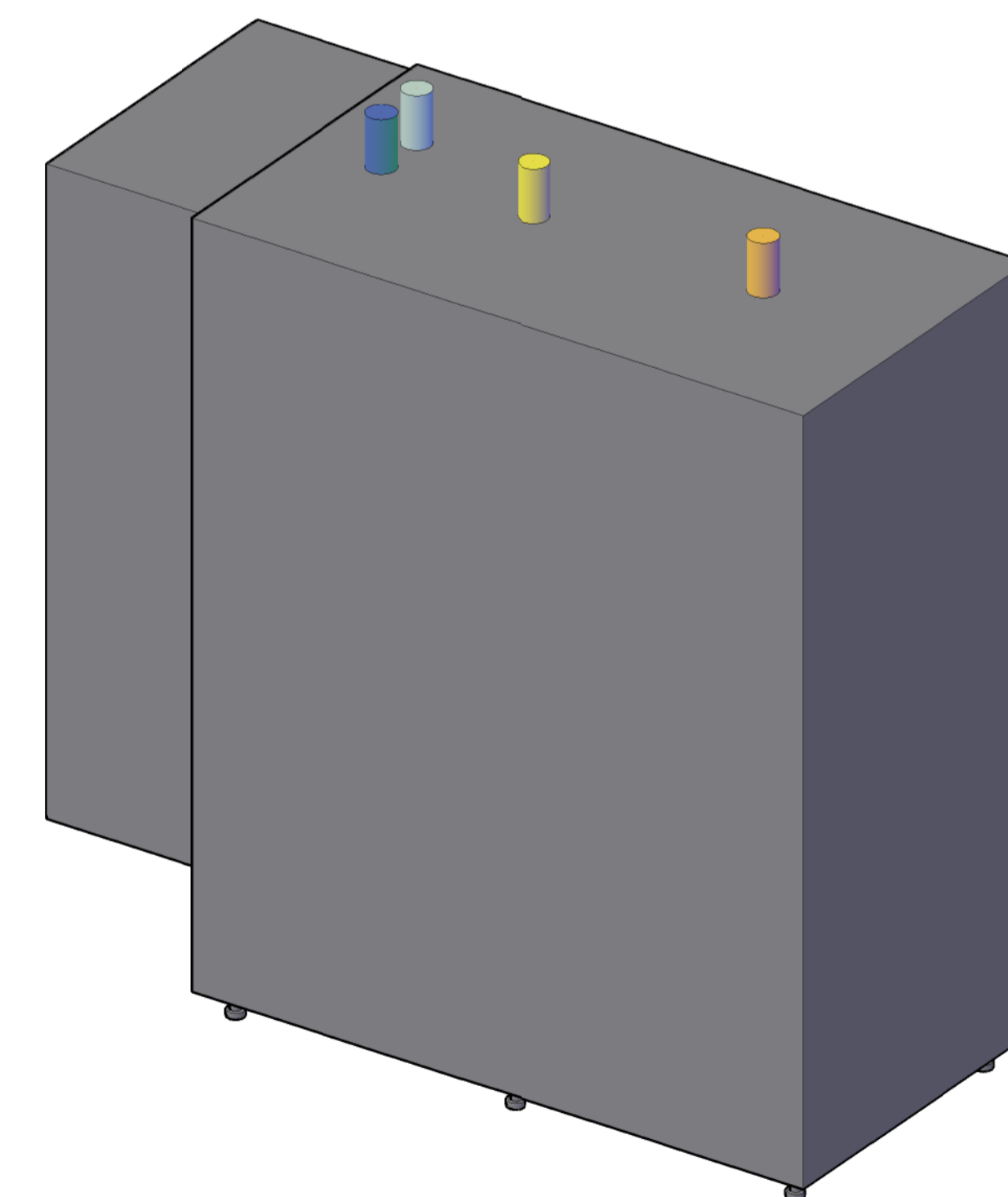
All measurements in millimeter.

All measurements with ±15 mm tolerance.

ISO, SE VIEW



ISO, NW VIEW



REV	REVISION TYPE	DATE	SIGN
PHASE			
MEASUREMENT DRAWING			
QVANTUM LB4 Q65LB4 to Q96LB4			
QVANTUM ENERGI AB Ringugnsgatan 12 216 16 Limhamn, Sweden www.quantum.com			
A	XXX	phone XXX-XXXX	fax XXX-XXXX
K	XXX	phone XXX-XXXX	fax XXX-XXXX
E	XXX	phone XXX-XXXX	fax XXX-XXXX
V	XXX	phone XXX-XXXX	fax XXX-XXXX
SPR	XXX	phone XXX-XXXX	fax XXX-XXXX
BR	XXX	phone XXX-XXXX	fax XXX-XXXX
M	XXX	phone XXX-XXXX	fax XXX-XXXX
HP	Qvantum Energi AB	phone +46 10 332 00 50	fax XXX-XXXX
PROJECT NUMBER		DRAWN BY	
-		J.E.	
DATE		MANAGED BY	
2023-09-15			
QVANTUM ENERGI AB QVANTUM LB4 HEAT PUMPS MEASUREMENT DRAWING			
SCALE	DRAWING NUMBER		REV
1:10 (A1) 1:20 (A3)	Q-LB4-65-96-001		

Subject to possible printing errors.

LAGER: SB11

PLO: 2023-09-27 23:45 J:\QVANTUM\01\INTERNT\05\RINGUGNSGATAN\MOD\SERIE\LB4.DWG JONAS

QVANTUM HEAT PUMPS

Drawing refers to Fan Unit for Qvantum LB series Heat Pumps.

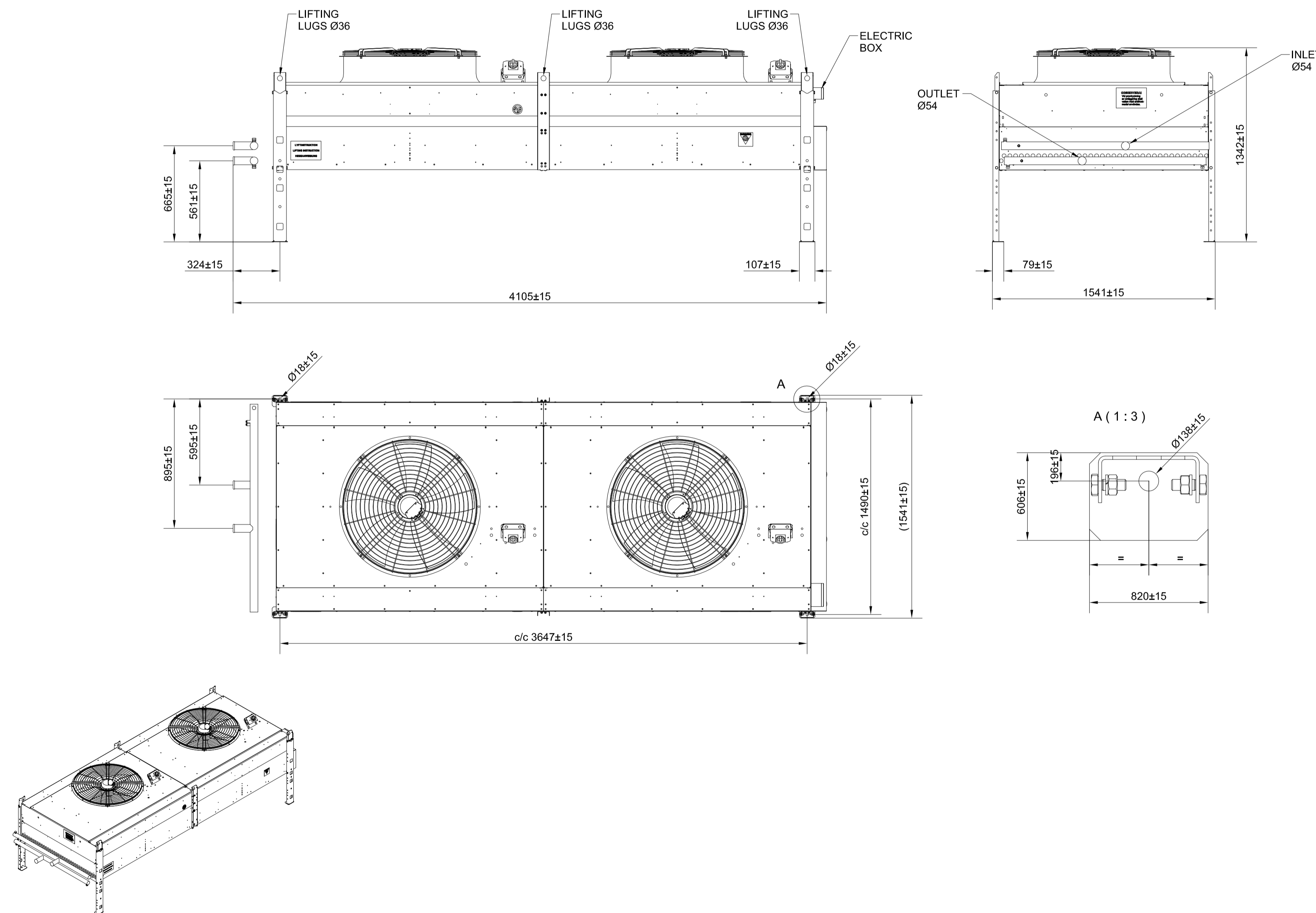
MODEL RANGE
Fan Unit for Qvantum Q65LB4 and Q81LB4.

CONNECTION PLACEMENT
Left side connection.

CONNECTION SIZES
OUTLET: Cu 54.0
INLET: Cu 54.0

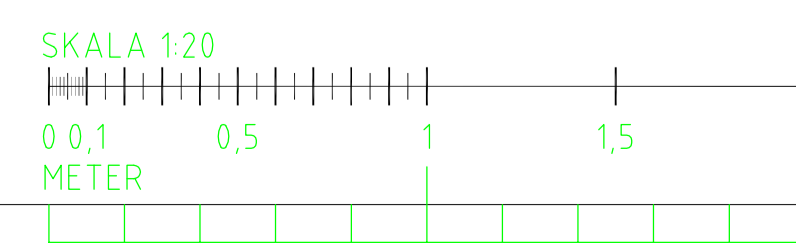
All measurements in millimeter.

All measurements with ±15 mm tolerance.



Subject to possible printing errors.

LAGER: SB11



REV	REVISION TYPE	DATE	SIGN
PHASE MEASUREMENT DRAWING			
Fan Unit for Q65LB4 and Q81LB4			
QVANTUM ENERGI AB Ringugnsgatan 12 216 16 Limhamn, Sweden www.quantum.com			
A	XXX	phone XXX-XXX	fax XXX-XXX
K	XXX	phone XXX-XXX	fax XXX-XXX
E	XXX	phone XXX-XXX	fax XXX-XXX
V	XXX	phone XXX-XXX	fax XXX-XXX
SPR	XXX	phone XXX-XXX	fax XXX-XXX
BR	XXX	phone XXX-XXX	fax XXX-XXX
M	XXX	phone XXX-XXX	fax XXX-XXX
HP	Qvantum Energi AB	phone +46 10 332 00 50	fax XXX-XXX
PROJECT NUMBER		DRAWN BY	MANAGED BY
-		J.E.	J.E.
DATE		APPROVED BY	
2023-05-04		J.E.	
QVANTUM ENERGI AB FAN UNIT FOR QVANTUM Q65LB4 and Q81LB4 MEASUREMENT DRAWING			
SCALE	DRAWING NUMBER		REV
1:20 (A1) 1:40 (A3)	Q-LB4-65-81-FU-001		

PLO 2023-05-04 19:48 J:\QVANTUM\01\INTERNT\AS\RINGUGNSGATAN\MOD\SERIE\LB4.DWG JONAS

QVANTUM HEAT PUMPS

Drawing refers to Qvantum LB4 Heat Pumps.

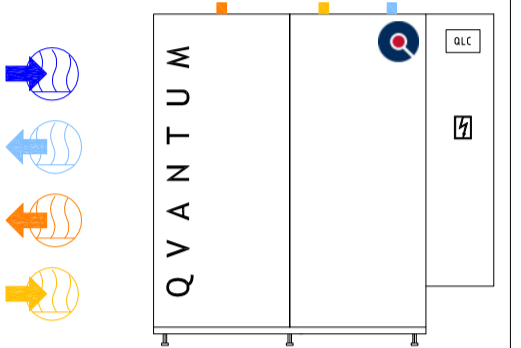
MODEL RANGE
Q65LB4 to Q96LB4.

CONNECTION PLACEMENT
Top connection.

CONNECTION SIZES
Q65LB4 to Q96LB4
Condensor - Cu 54.0 mm
Evaporator - Cu 54.0 mm

INLET & OUTLET

- 1. Evaporator Inlet
- 2. Evaporator Outlet
- 3. Condensor Outlet
- 4. Condensor Inlet



Power Supply.

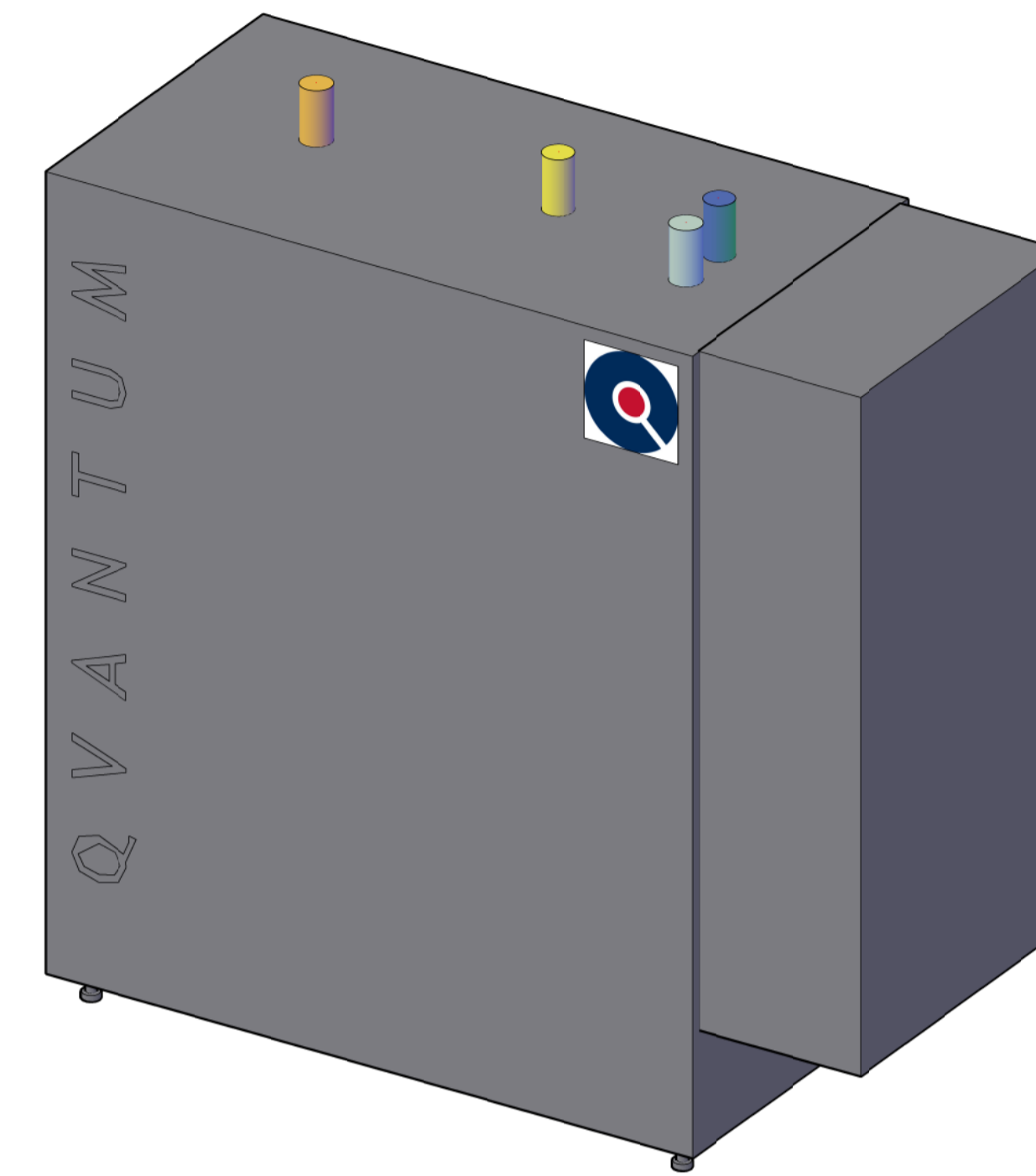
Electric Cabinet can be placed on either side.

All components inside heat pump are available from front.

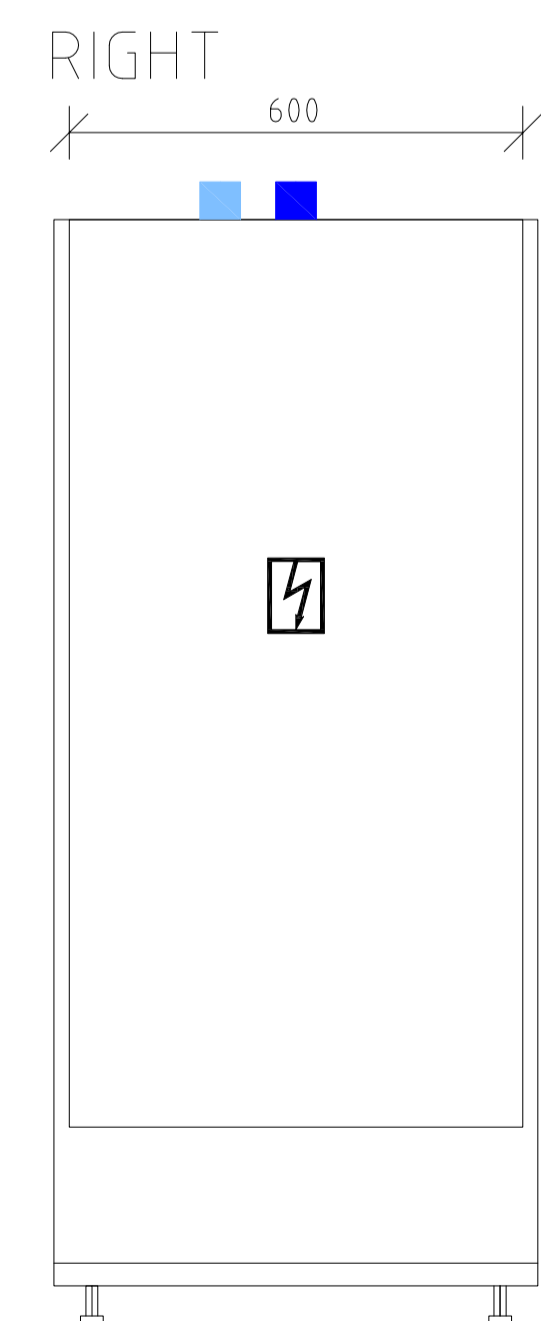
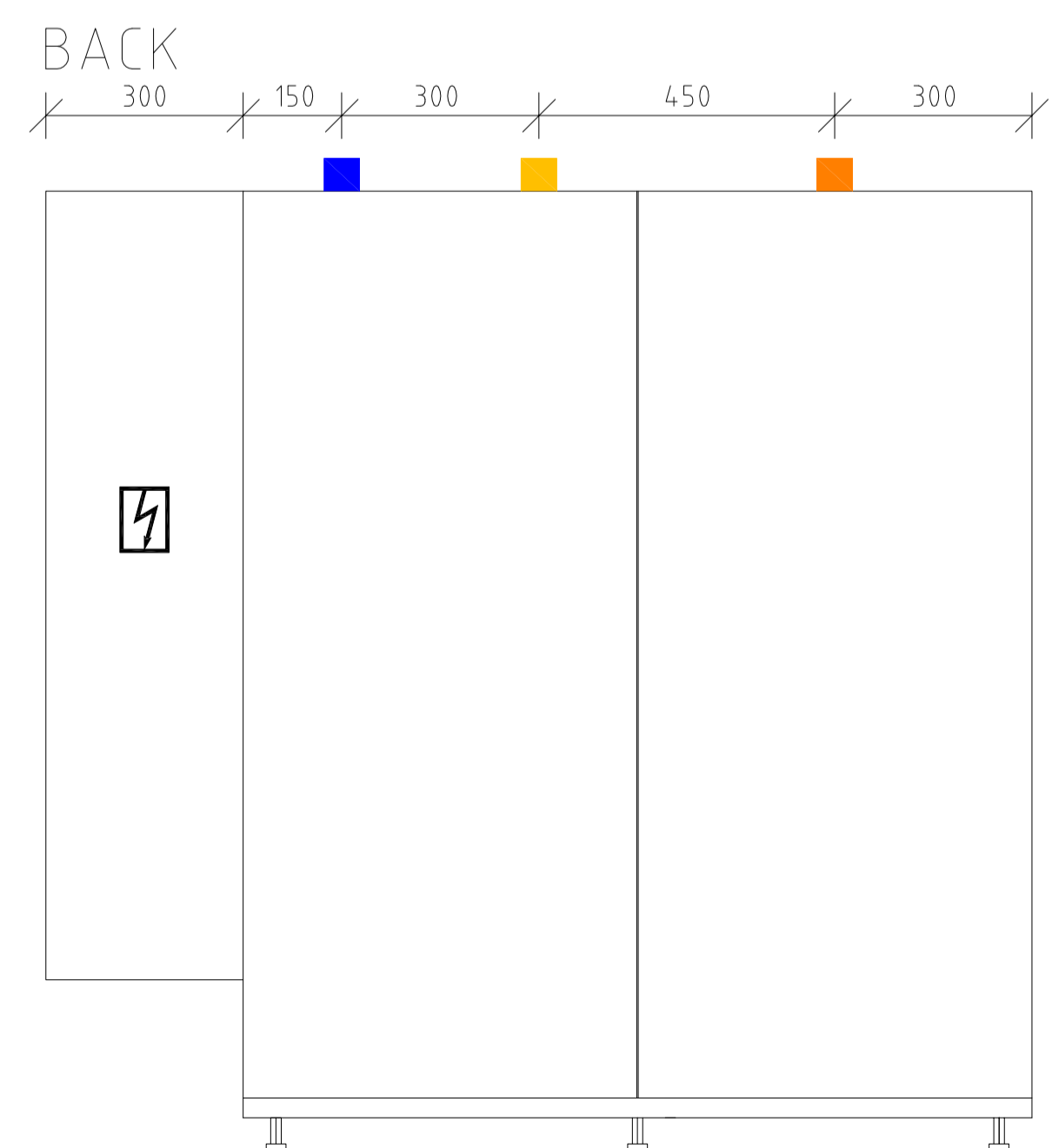
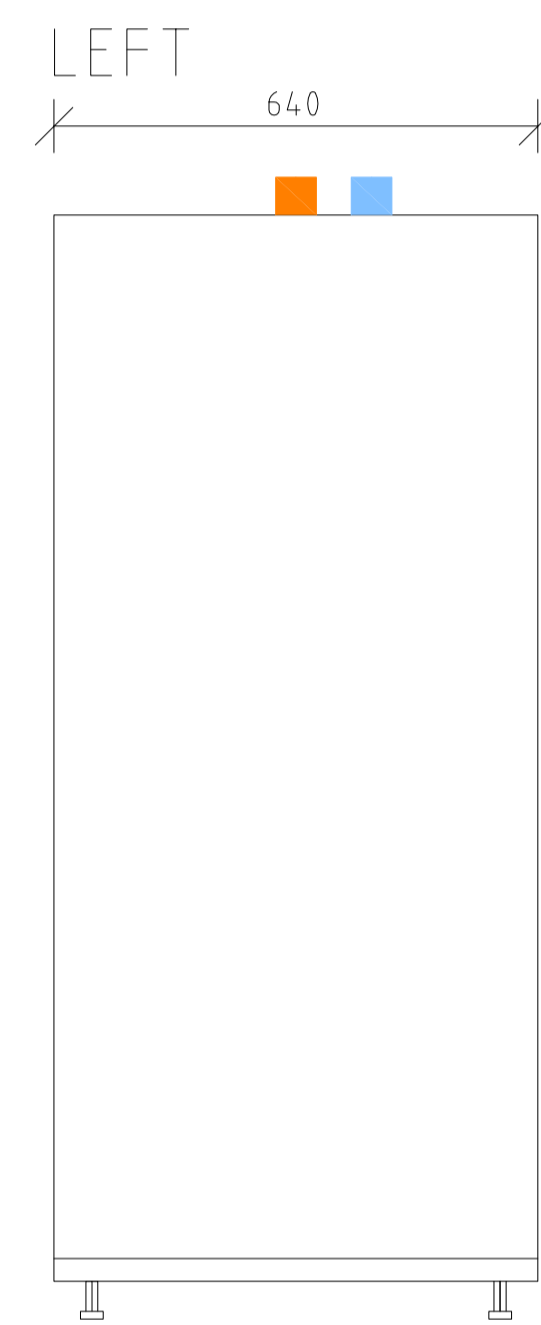
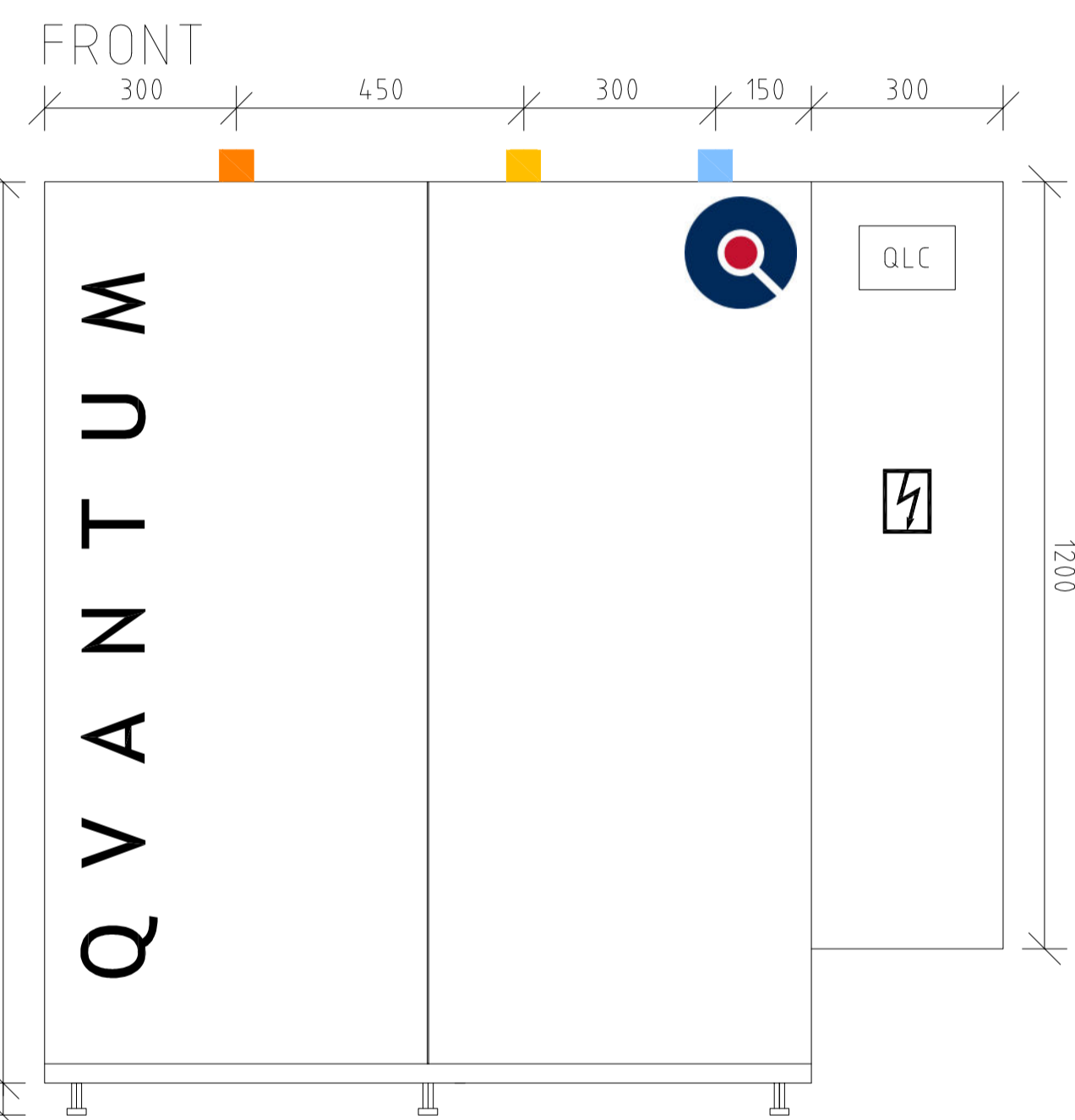
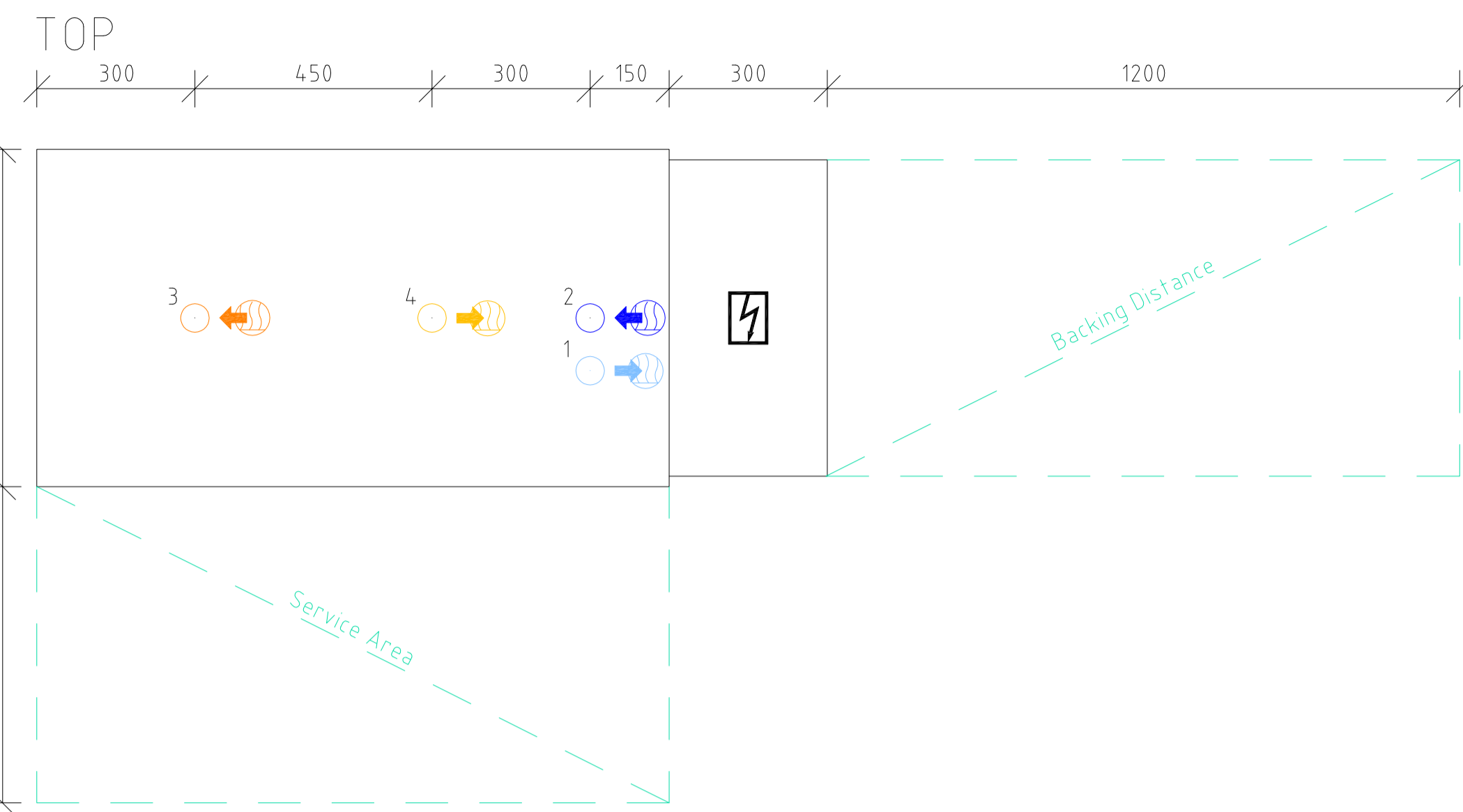
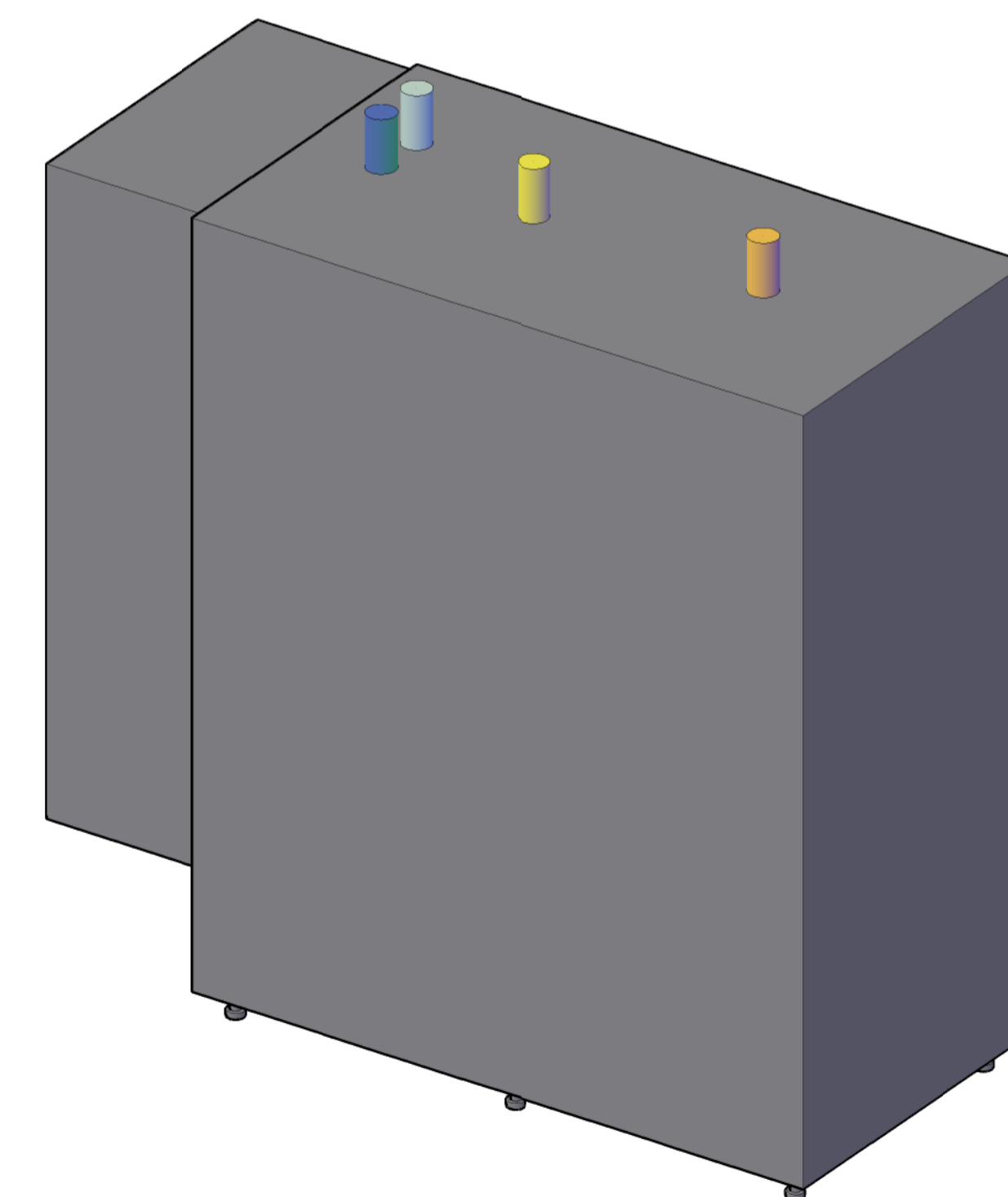
All measurements in millimeter.

All measurements with ±15 mm tolerance.

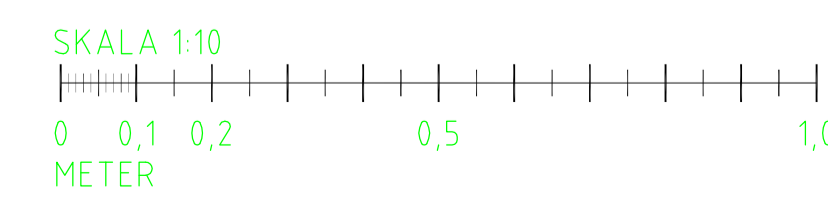
ISO, SE VIEW



ISO, NW VIEW



REV	REVISION TYPE	DATE	SIGN
PHASE			
MEASUREMENT DRAWING			
QVANTUM LB4 Q65LB4 to Q96LB4			
QVANTUM ENERGI AB Ringugnsgatan 12 216 16 Limhamn, Sweden www.quantum.com			
A	XXX	phone XXX-XXXX	fax XXX-XXXX
K	XXX	phone XXX-XXXX	fax XXX-XXXX
E	XXX	phone XXX-XXXX	fax XXX-XXXX
V	XXX	phone XXX-XXXX	fax XXX-XXXX
SPR	XXX	phone XXX-XXXX	fax XXX-XXXX
BR	XXX	phone XXX-XXXX	fax XXX-XXXX
M	XXX	phone XXX-XXXX	fax XXX-XXXX
HP	Qvantum Energi AB	phone +46 10 332 00 50	fax XXX-XXXX
PROJECT NUMBER		DRAWN BY	
-		J.E.	
DATE		MANAGED BY	
2023-09-15			
QVANTUM ENERGI AB QVANTUM LB4 HEAT PUMPS MEASUREMENT DRAWING			
SCALE		DRAWING NUMBER	
1:10 (A1) 1:20 (A3)		Q-LB4-65-96-001	



Subject to possible printing errors.

QVANTUM HEAT PUMPS

Drawing refers to Fan Unit for Qvantum LB series Heat Pumps.

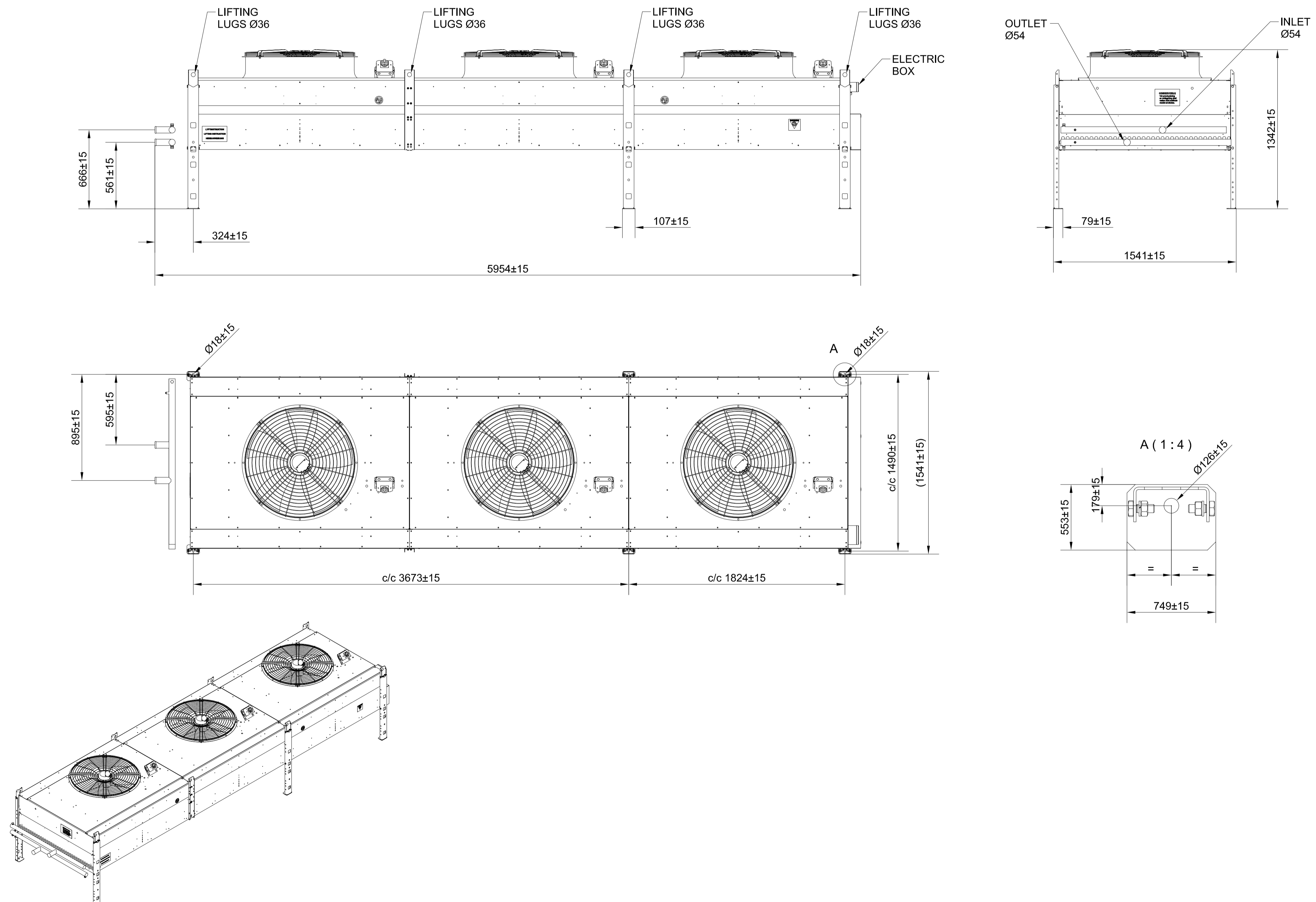
MODEL RANGE
Fan Unit for Qvantum Q96LB4.

CONNECTION PLACEMENT
Left side connection.

CONNECTION SIZES
OUTLET: Cu 54.0
INLET: Cu 54.0

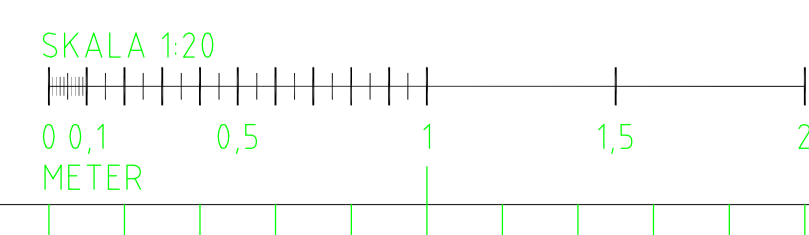
All measurements in millimeter.

All measurements with ±15 mm tolerance.



Subject to possible printing errors.

LAGER: SB11



REV	REVISION TYPE	DATE	SIGN
PHASE MEASUREMENT DRAWING			
Fan Unit for Q96LB4			
QVANTUM ENERGI AB Ringugnsgatan 12 216 16 Limhamn, Sweden www.qvantum.com			
A	XXX	phone XXX-XXXX	fax XXX-XXXX
K	XXX	phone XXX-XXXX	fax XXX-XXXX
E	XXX	phone XXX-XXXX	fax XXX-XXXX
V	XXX	phone XXX-XXXX	fax XXX-XXXX
SPR	XXX	phone XXX-XXXX	fax XXX-XXXX
BR	XXX	phone XXX-XXXX	fax XXX-XXXX
M	XXX	phone XXX-XXXX	fax XXX-XXXX
HP	Qvantum Energi AB	phone +46 10 332 00 50	fax XXX-XXXX
PROJECT NUMBER		DRAWN BY	MANAGED BY
-		J.E.	J.E.
DATE		APPROVED BY	
2023-05-04		J.E.	
QVANTUM ENERGI AB			
FAN UNIT FOR QVANTUM Q96LB4			
MEASUREMENT DRAWING			
SCALE	1:20 (A1)	DRAWING NUMBER	REV
	1:40 (A3)	Q-LB4-96-FU-001	

P.L.O. 2023-05-04 19:54 J:\QVANTUM\01\INTERNT\AS\RINGUGNSGATAN\MOD\SERIE\LB4.DWG JONAS

QVANTUM HEAT PUMPS

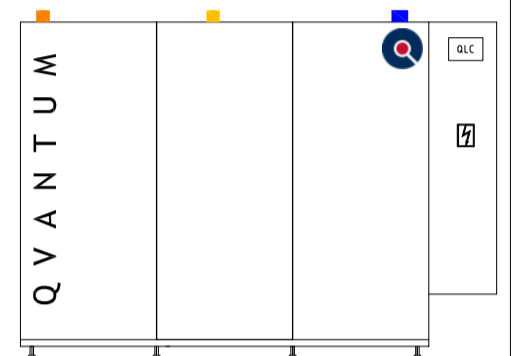
Drawing refers to Quantum LB series Heat Pumps.

MODEL RANGE
Q123LB4 to Q144LB4.

CONNECTION PLACEMENT
Top connection.

CONNECTION SIZES
Q123-144LB4
Condensor - Cu 54.0 mm
Evaporator - Cu 70.0 mm

- INLET & OUTLET**
- 1. Evaporator Inlet
 - 2. Evaporator Outlet
 - 3. Condensor Outlet
 - 4. Condensor Inlet



Power Supply.

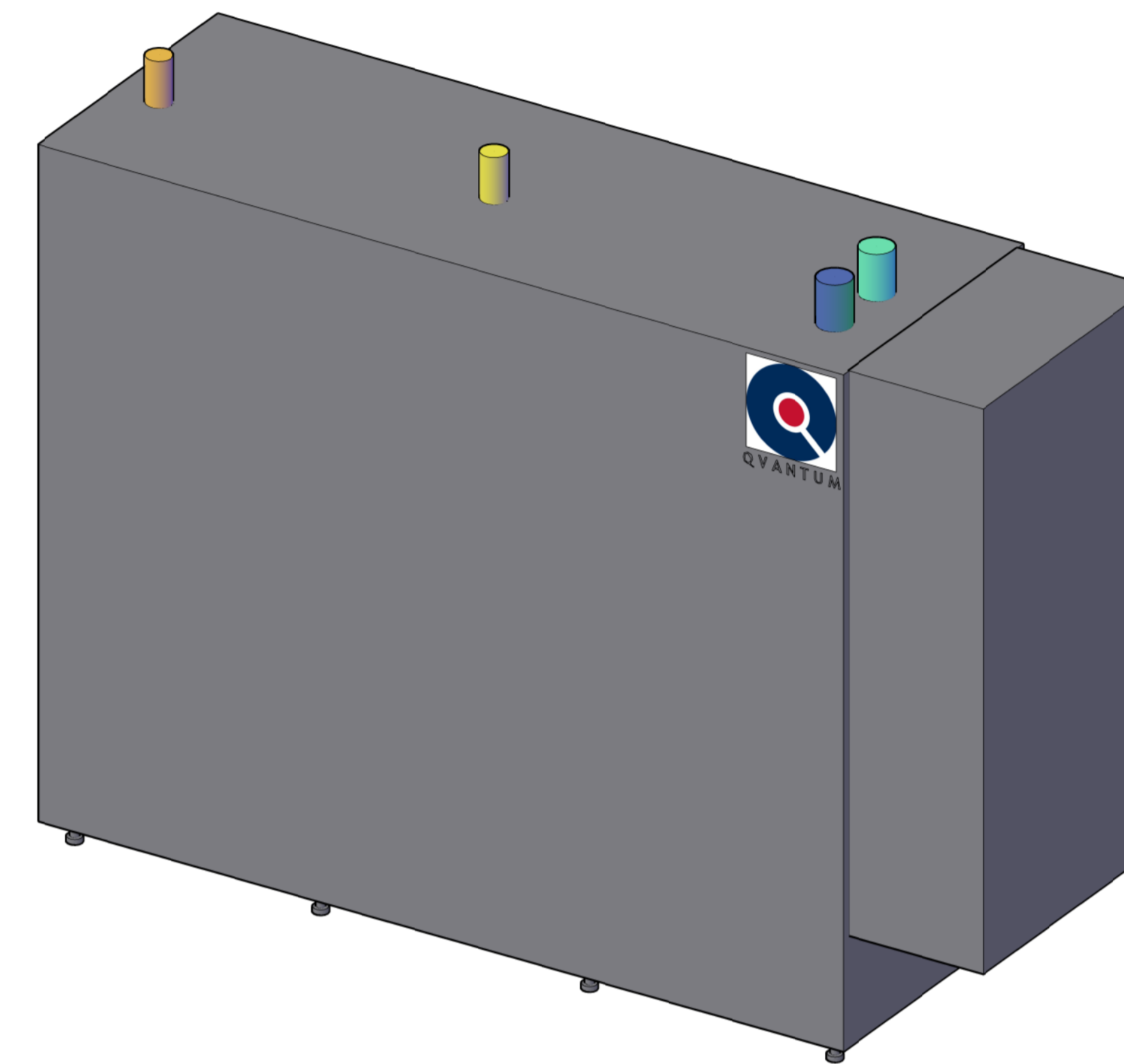
Electric Cabinet can be placed on either side.

All components inside heat pump are available from front.

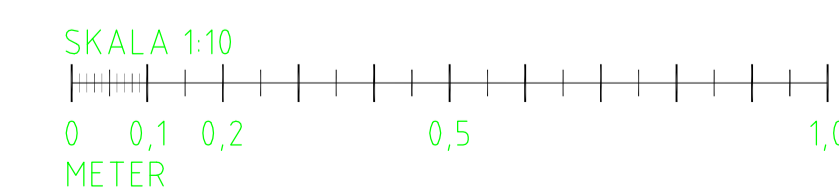
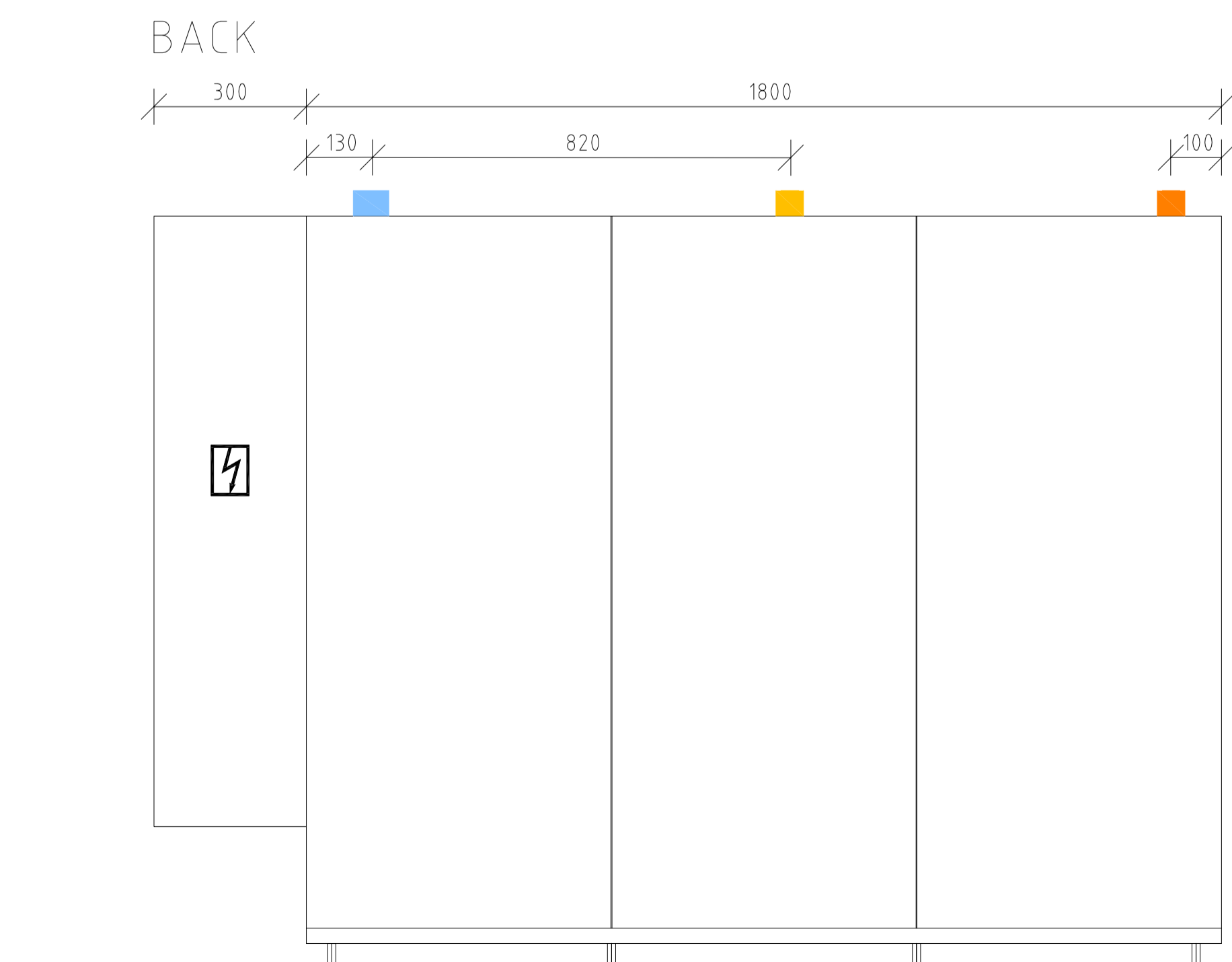
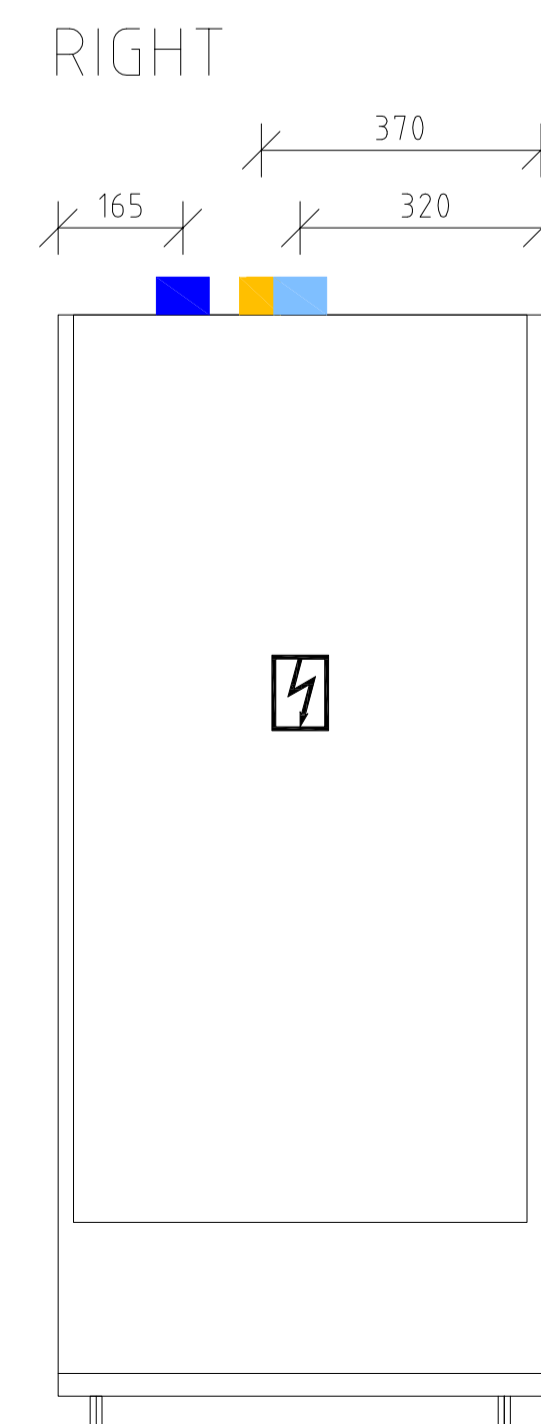
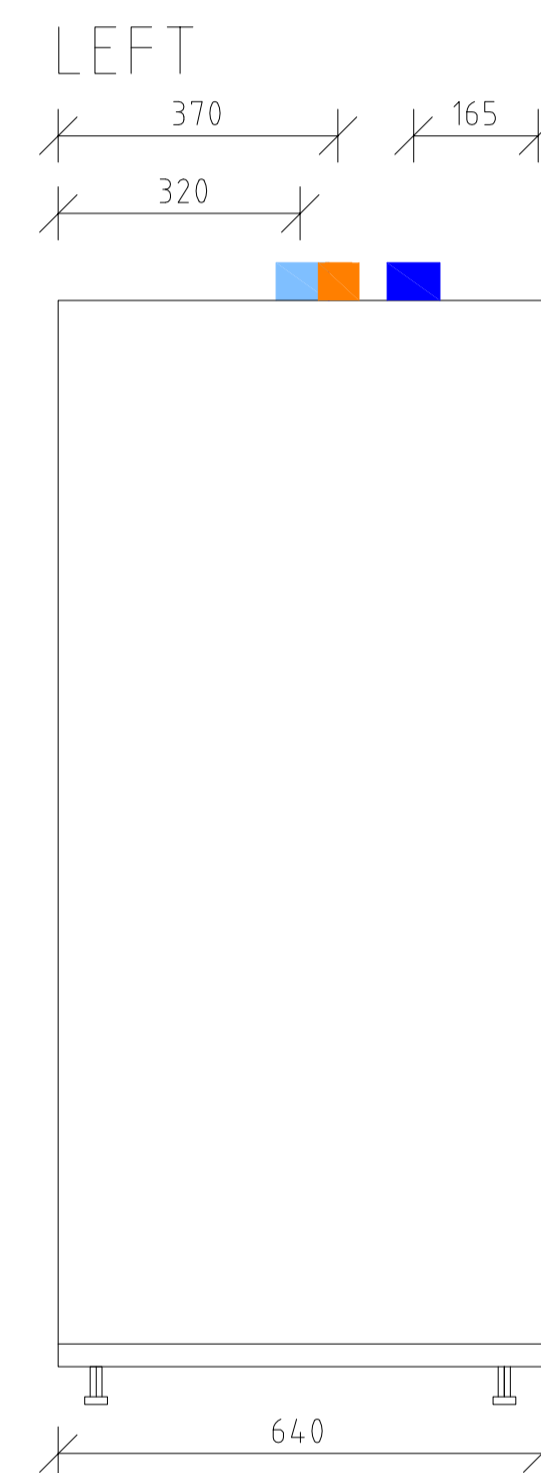
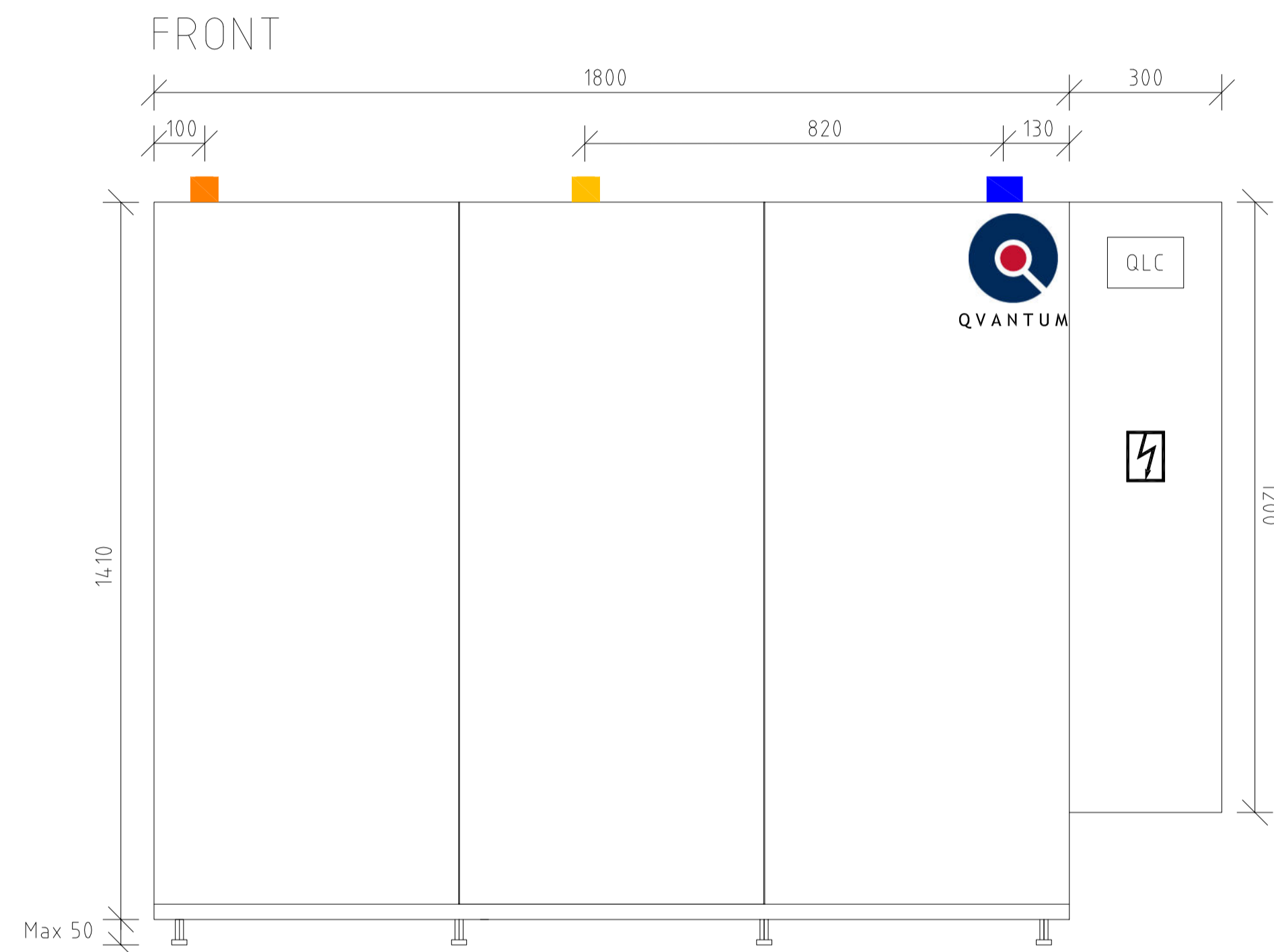
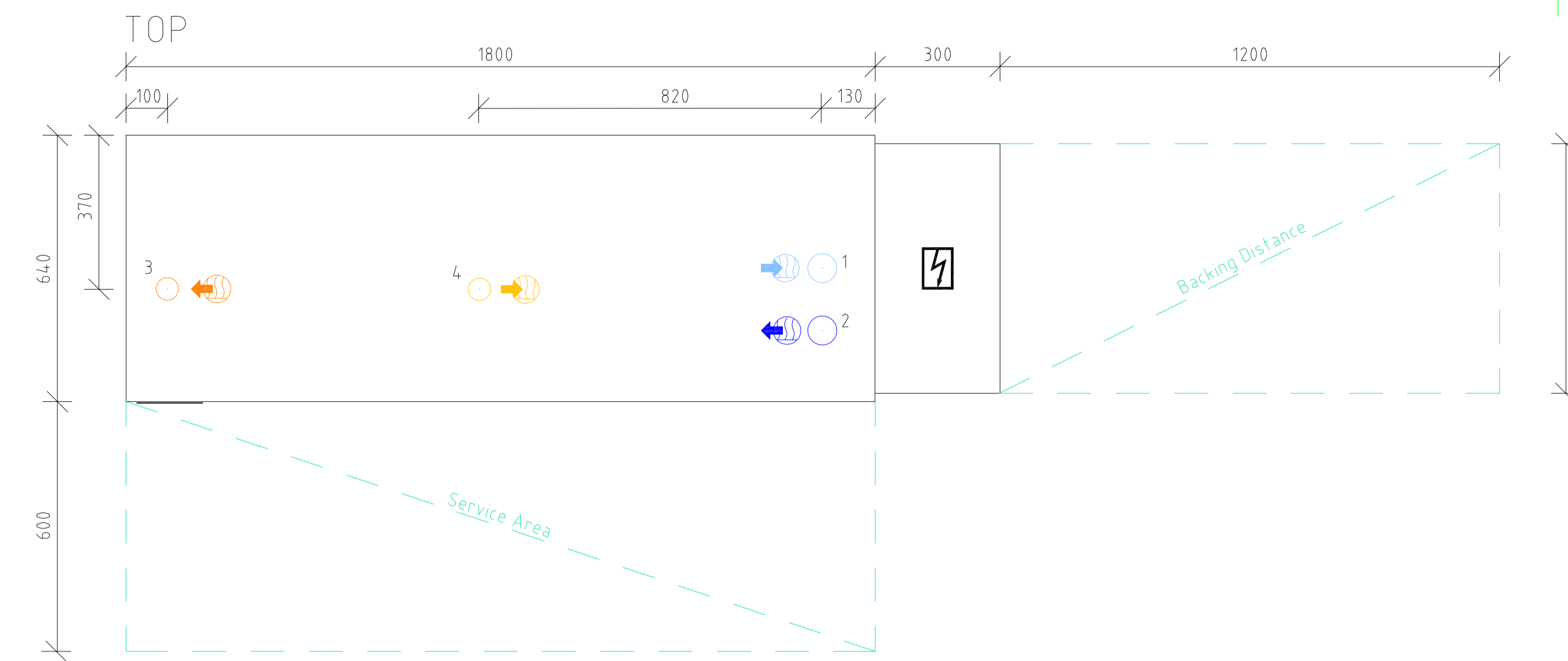
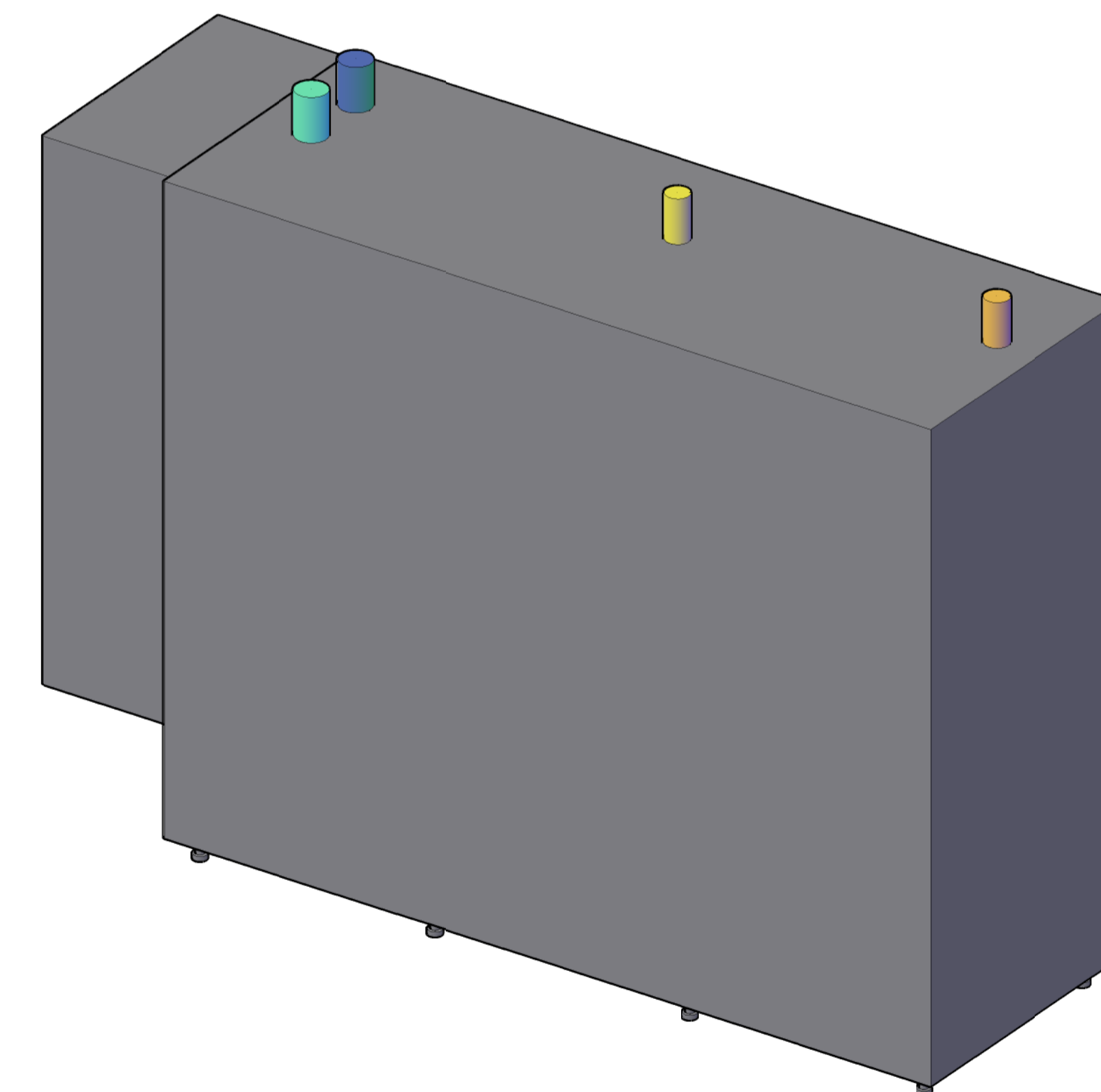
All measurements in millimeter.

All measurements with ±15 mm tolerance.

ISO, SE VIEW



ISO, NW VIEW



REV	REVISION TYPE	DATE	SIGN
PHASE MEASUREMENT DRAWING			
LB SERIES Q123LB4 to Q144LB4			
QVANTUM ENERGI AB Ringugnsgatan 12 216 16 Limhamn, Sweden www.quantum.com			
A	XXX	phone XXX-XXXX	fax XXX-XXXX
K	XXX	phone XXX-XXXX	fax XXX-XXXX
E	XXX	phone XXX-XXXX	fax XXX-XXXX
V	XXX	phone XXX-XXXX	fax XXX-XXXX
SPR	XXX	phone XXX-XXXX	fax XXX-XXXX
BR	XXX	phone XXX-XXXX	fax XXX-XXXX
M	XXX	phone XXX-XXXX	fax XXX-XXXX
HP	Quantum Energi AB	phone +46 10 332 00 50	fax XXX-XXXX
PROJECT NUMBER		DRAWN BY	
-		J.E.	
DATE		MANAGED BY	
2023-06-22		J.E.	
APPROVED BY L.B. QVANTUM ENERGI AB LB SERIES HEAT PUMPS MEASUREMENT DRAWING			
SCALE	DRAWING NUMBER		REV
1:10 (A1)	Q-LB4-123-144-001		
1:20 (A3)			

Subject to possible printing errors.

LAGER: SB11

PLO: 2023-06-29 12:11 J:\QVANTUM\01\INTERNTUS RITNINGAR\QVANTUMSERIE LBL\DWG JONAS

QVANTUM HEAT PUMPS

Drawing refers to Fan Unit for Qvantum LB series Heat Pumps.

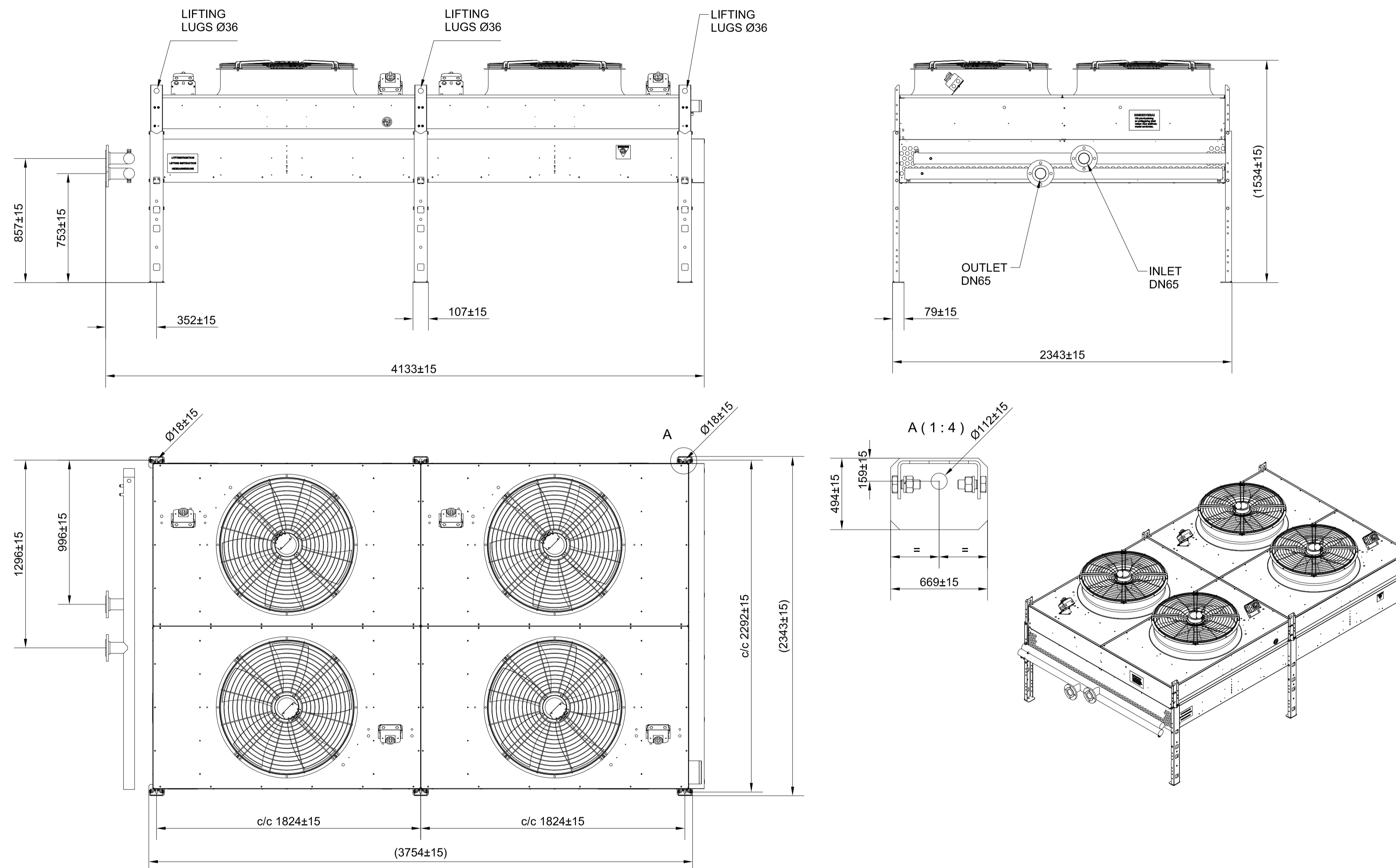
MODEL RANGE
Fan Unit for Qvantum Q123LB4.

CONNECTION PLACEMENT
Left side connection.

CONNECTION SIZES
OUTLET: DN65
INLET: DN65

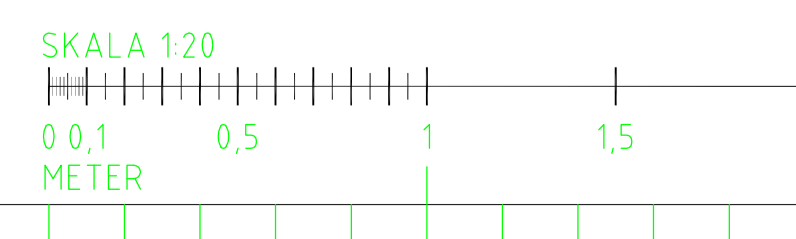
All measurements in millimeter.

All measurements with ±15 mm tolerance.



Subject to possible printing errors.

LAGER: SB11



REV	REVISION TYPE	DATE	SIGN
PHASE MEASUREMENT DRAWING			
Fan Unit for Q123LB4			
QVANTUM ENERGI AB Ringugnsgatan 12 216 16 Limhamn, Sweden www.qvantum.com			
A	XXX	phone XXX-XXX	fax XXX-XXX
K	XXX	phone XXX-XXX	fax XXX-XXX
E	XXX	phone XXX-XXX	fax XXX-XXX
V	XXX	phone XXX-XXX	fax XXX-XXX
SPR	XXX	phone XXX-XXX	fax XXX-XXX
BR	XXX	phone XXX-XXX	fax XXX-XXX
M	XXX	phone XXX-XXX	fax XXX-XXX
HP	Qvantum Energi AB	phone +46 10 332 00 50	fax XXX-XXX
PROJECT NUMBER		DRAWN BY	MANAGED BY
-		J.E.	J.E.
DATE		APPROVED BY	
2023-05-04		J.E.	
QVANTUM ENERGI AB			
FAN UNIT FOR QVANTUM Q123LB4			
MEASUREMENT DRAWING			
SCALE	DRAWING NUMBER	REV	
1:20 (A1) 1:40 (A3)	Q-LB4-123-FU-001		

P.L.O. 2023-05-04 19:50 J:\QVANTUM\01\INTERNTUS\RINGUGAR\MOD\SERIE LB4.DWG JONAS

QVANTUM HEAT PUMPS

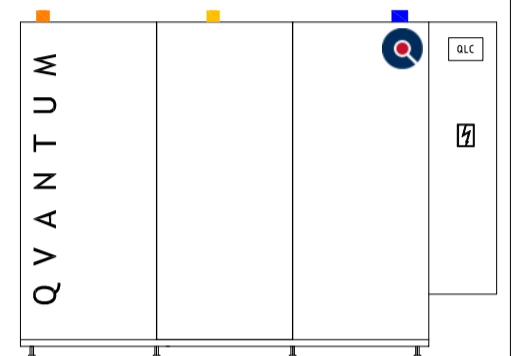
Drawing refers to Quantum LB series Heat Pumps.

MODEL RANGE
Q123LB4 to Q144LB4.

CONNECTION PLACEMENT
Top connection.

CONNECTION SIZES
Q123-144LB4
Condensor - Cu 54.0 mm
Evaporator - Cu 70.0 mm

- INLET & OUTLET**
- 1. Evaporator Inlet
 - 2. Evaporator Outlet
 - 3. Condensor Outlet
 - 4. Condensor Inlet



Power Supply.

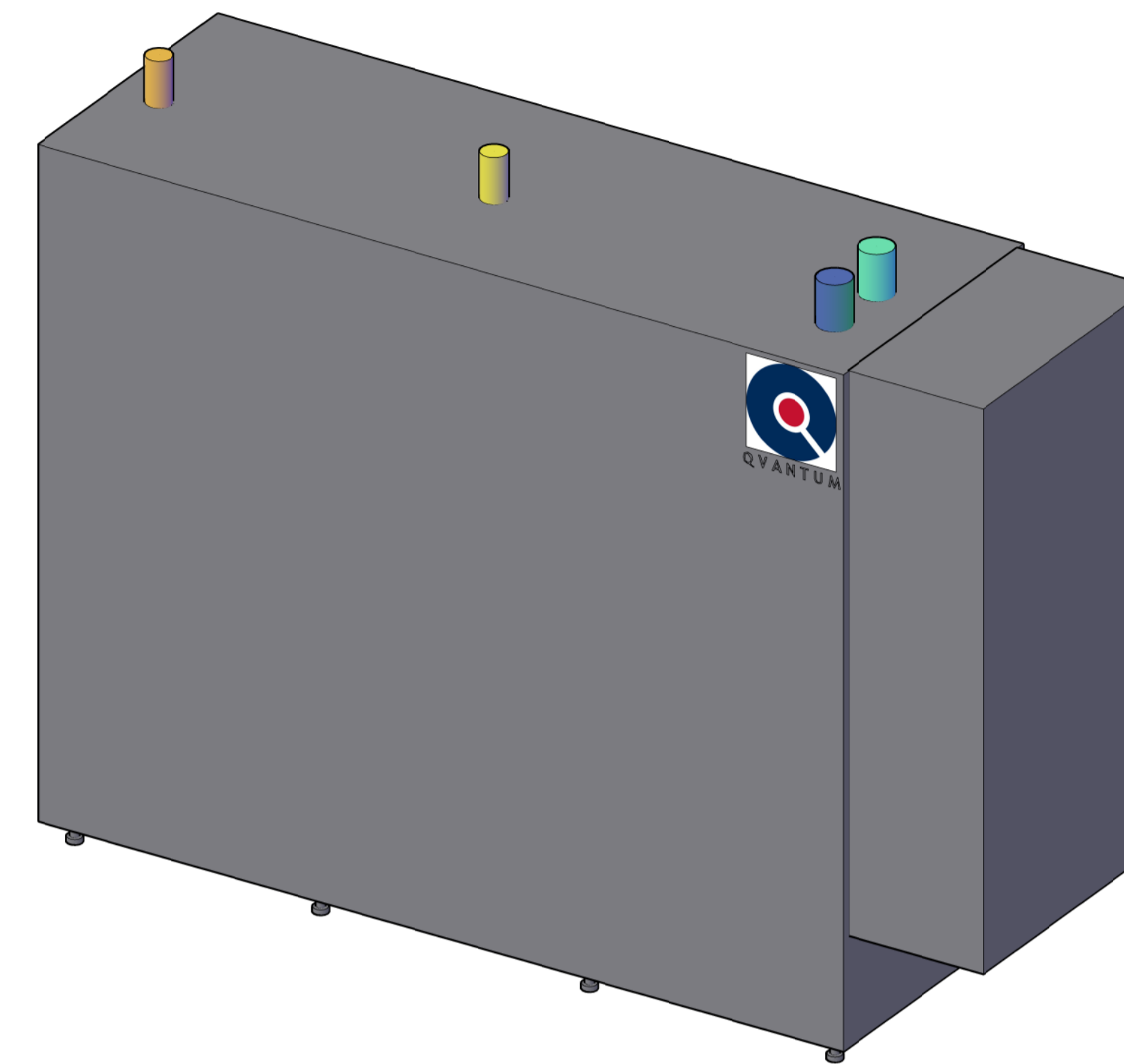
Electric Cabinet can be placed on either side.

All components inside heat pump are available from front.

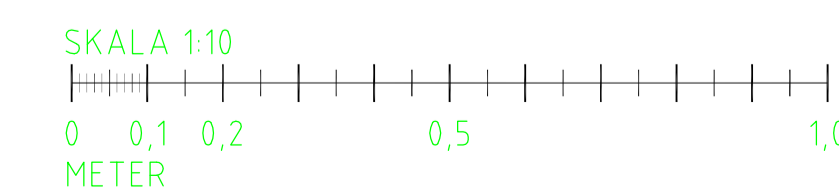
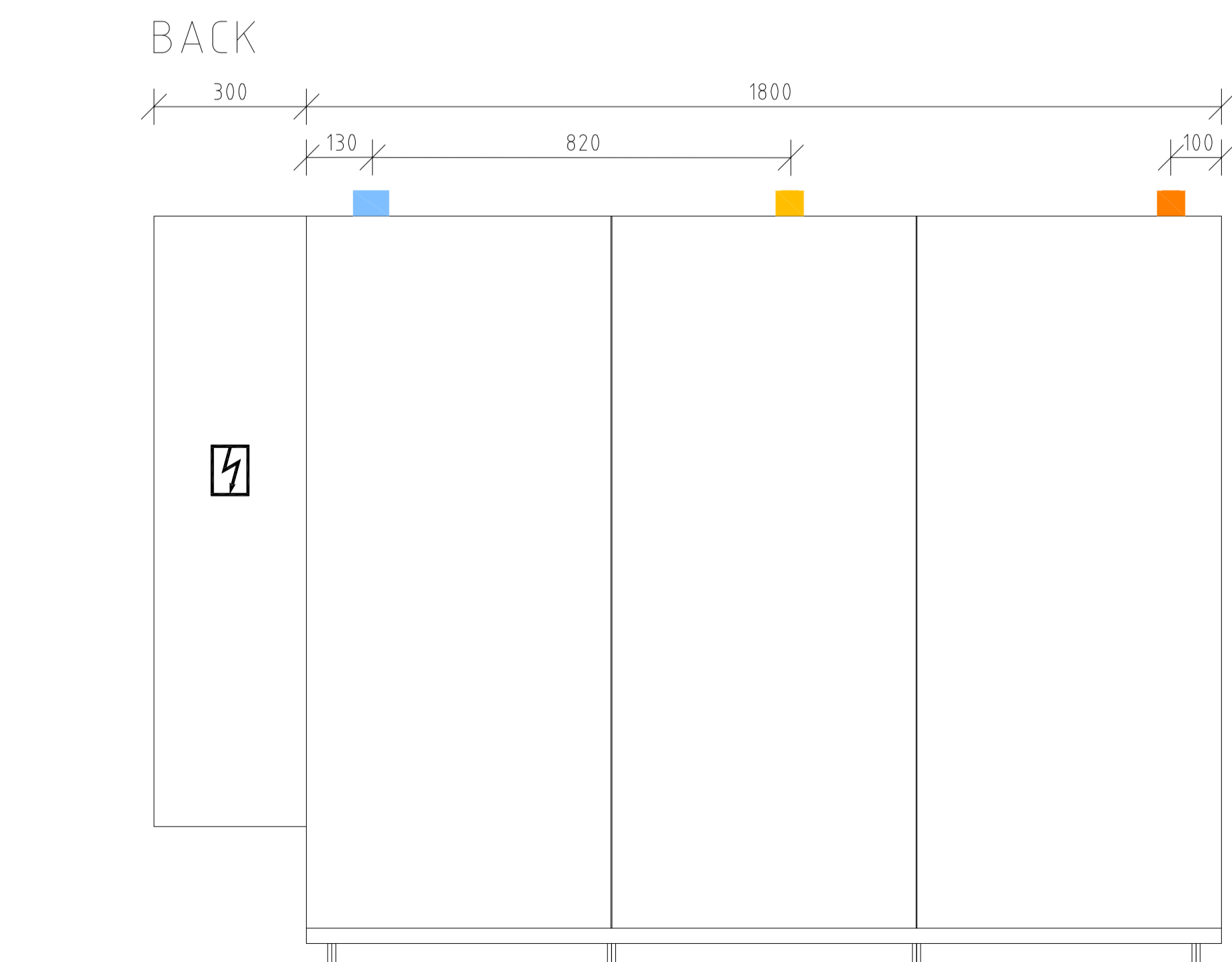
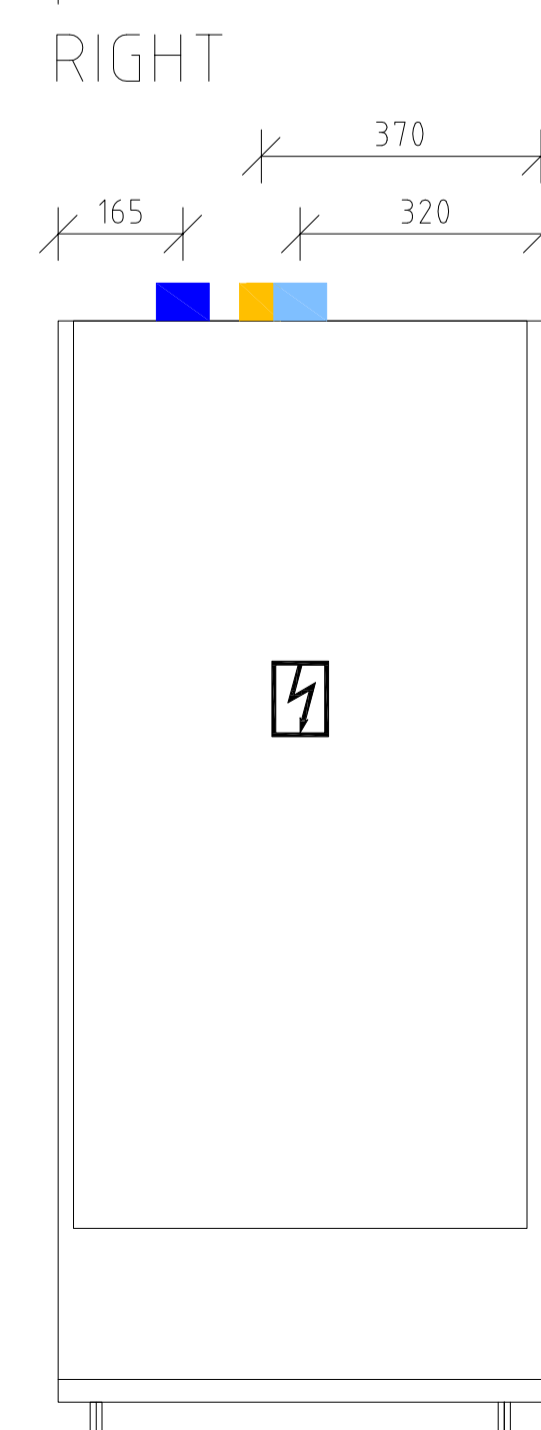
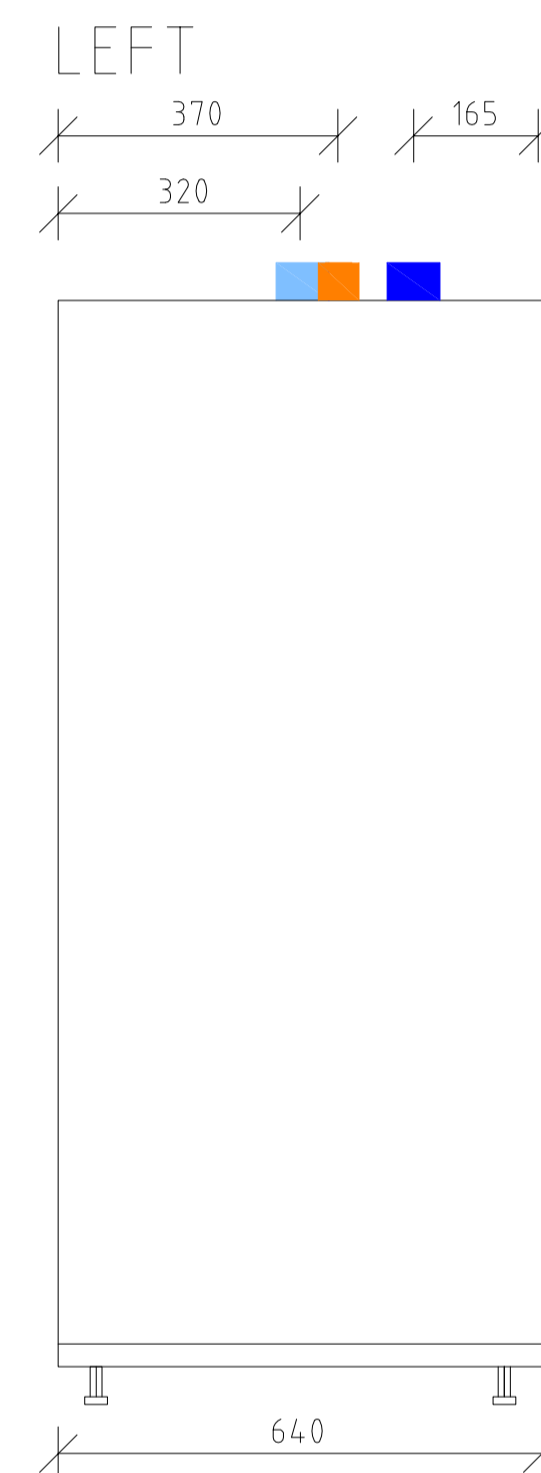
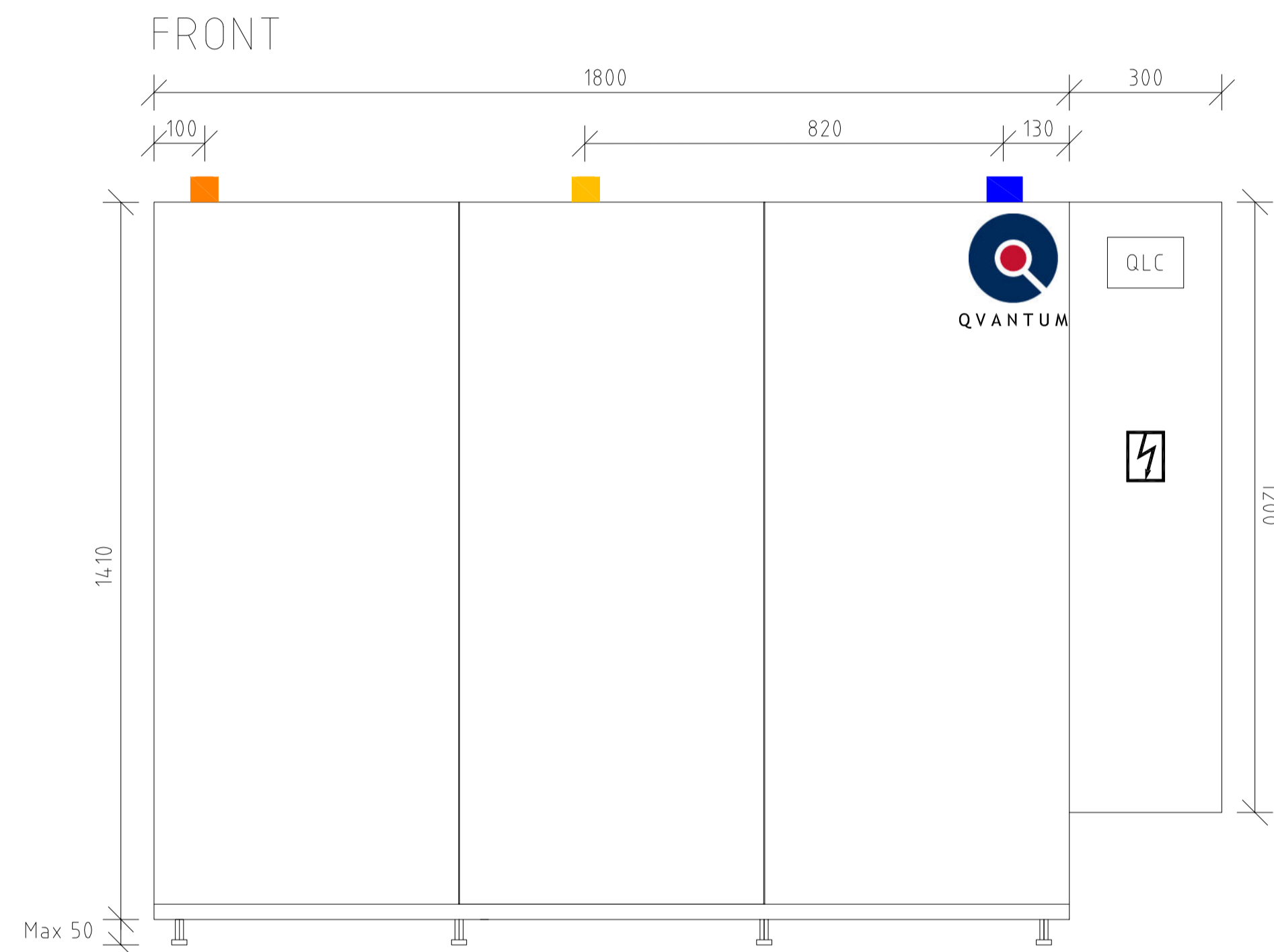
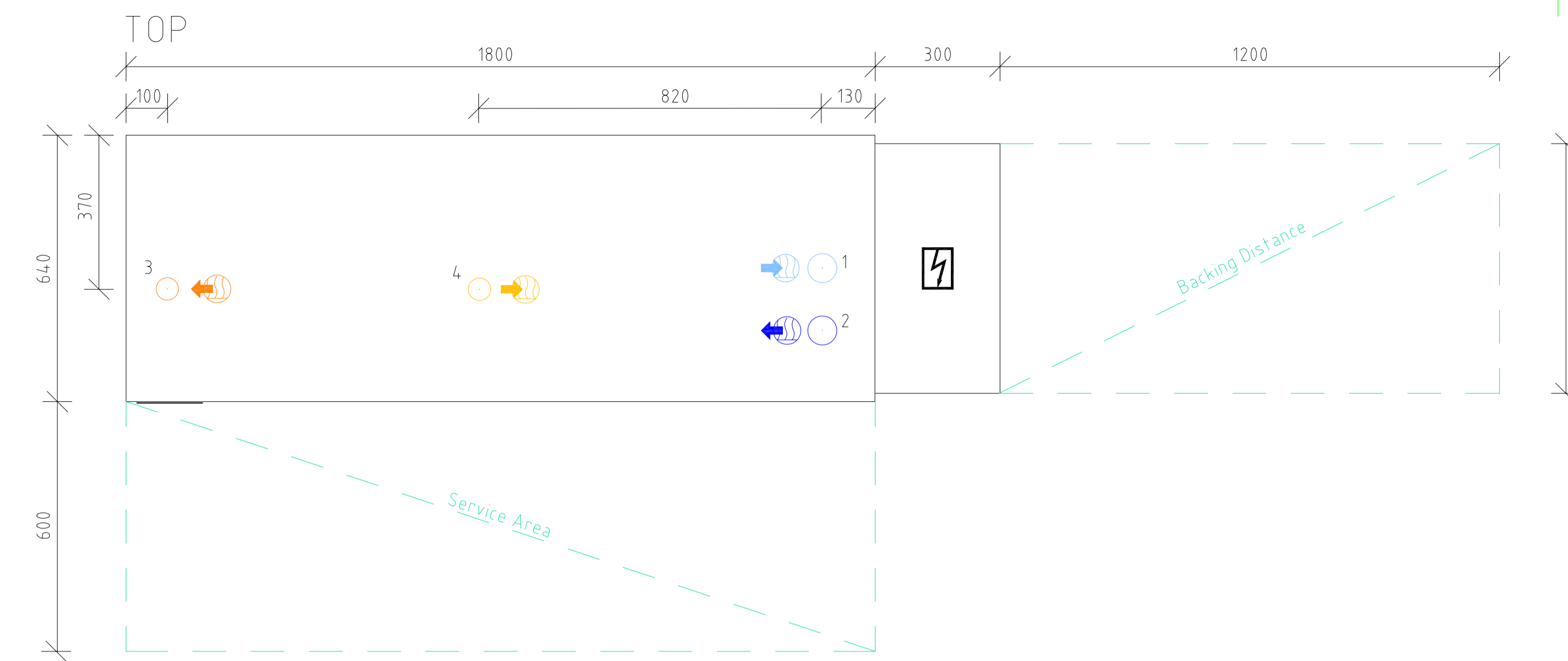
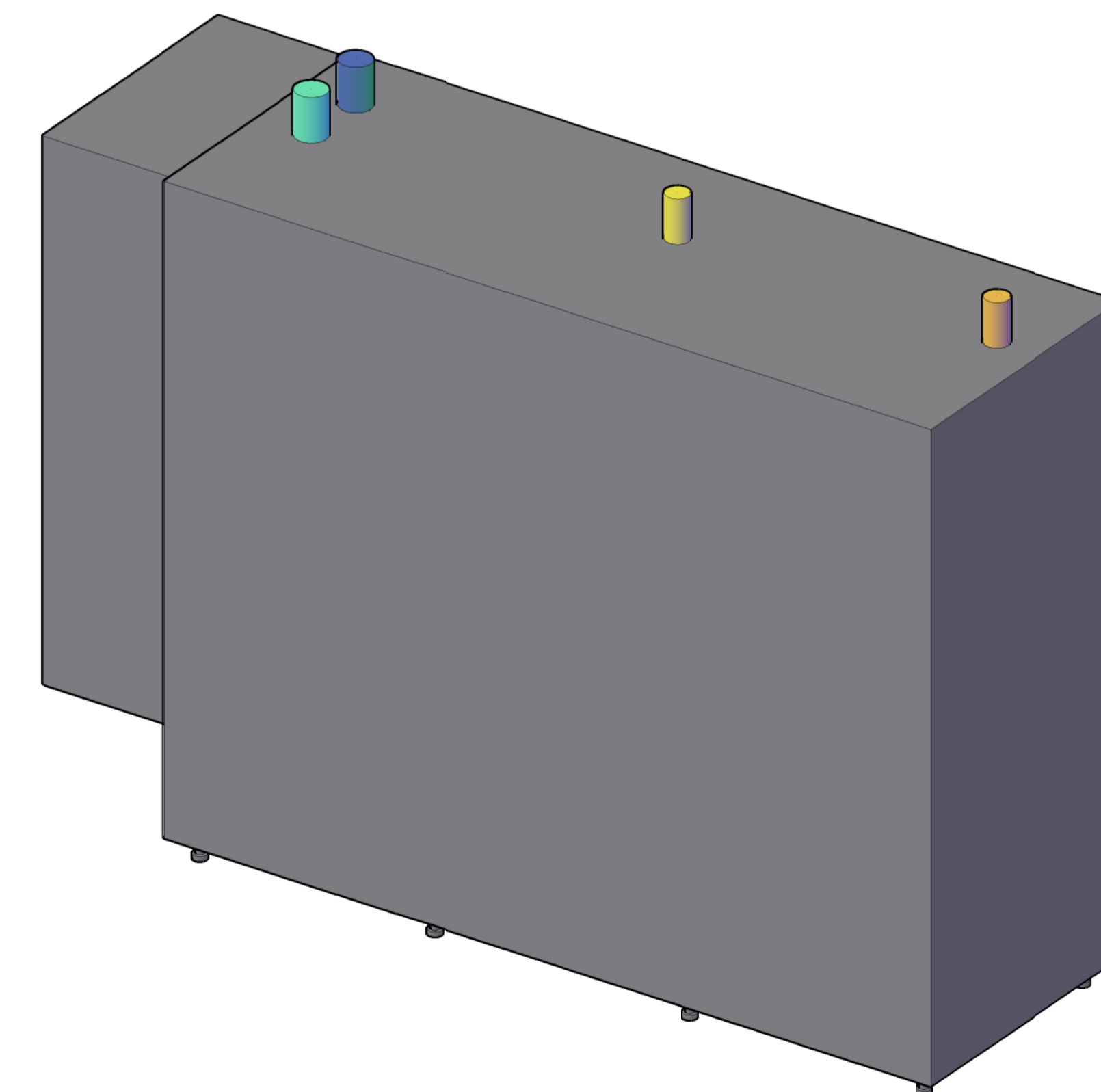
All measurements in millimeter.

All measurements with ±15 mm tolerance.

ISO, SE VIEW



ISO, NW VIEW



REV	REVISION TYPE	DATE	SIGN
PHASE MEASUREMENT DRAWING			
LB SERIES Q123LB4 to Q144LB4			
QVANTUM ENERGI AB Ringugnsgatan 12 216 16 Limhamn, Sweden www.quantum.com			
A	XXX	phone XXX-XXXX	fax XXX-XXXX
K	XXX	phone XXX-XXXX	fax XXX-XXXX
E	XXX	phone XXX-XXXX	fax XXX-XXXX
V	XXX	phone XXX-XXXX	fax XXX-XXXX
SPR	XXX	phone XXX-XXXX	fax XXX-XXXX
BR	XXX	phone XXX-XXXX	fax XXX-XXXX
M	XXX	phone XXX-XXXX	fax XXX-XXXX
HP	Quantum Energi AB	phone +46 10 332 00 50	fax XXX-XXXX
PROJECT NUMBER		DRAWN BY	
-		J.E.	
DATE		MANAGED BY	
2023-06-22		J.E.	
APPROVED BY L.B. QVANTUM ENERGI AB LB SERIES HEAT PUMPS MEASUREMENT DRAWING			
SCALE	DRAWING NUMBER		REV
1:10 (A1)	Q-LB4-123-144-001		
1:20 (A3)			

Subject to possible printing errors.

LAGER: SB11

PLO: 2023-06-29 12:11 J:\QVANTUM\01\INTERNTUS RITNINGAR\QVANTUMSERIE LBL-DWG JONAS

QVANTUM HEAT PUMPS

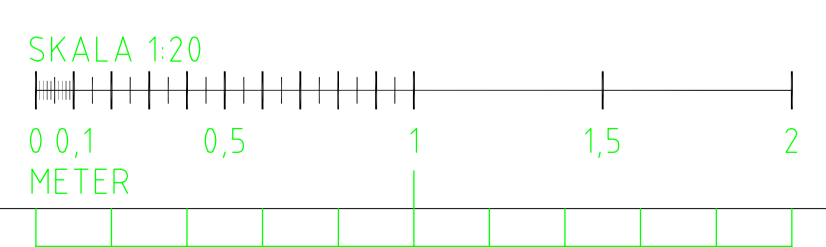
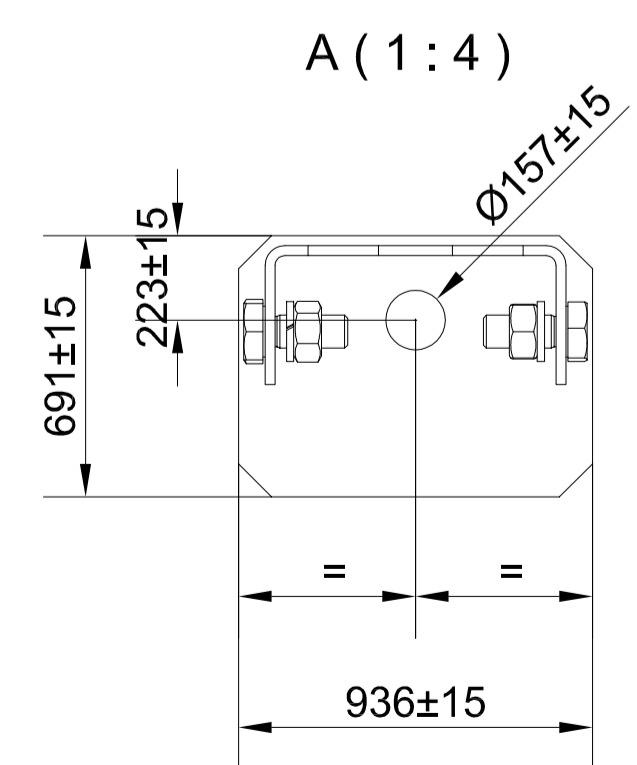
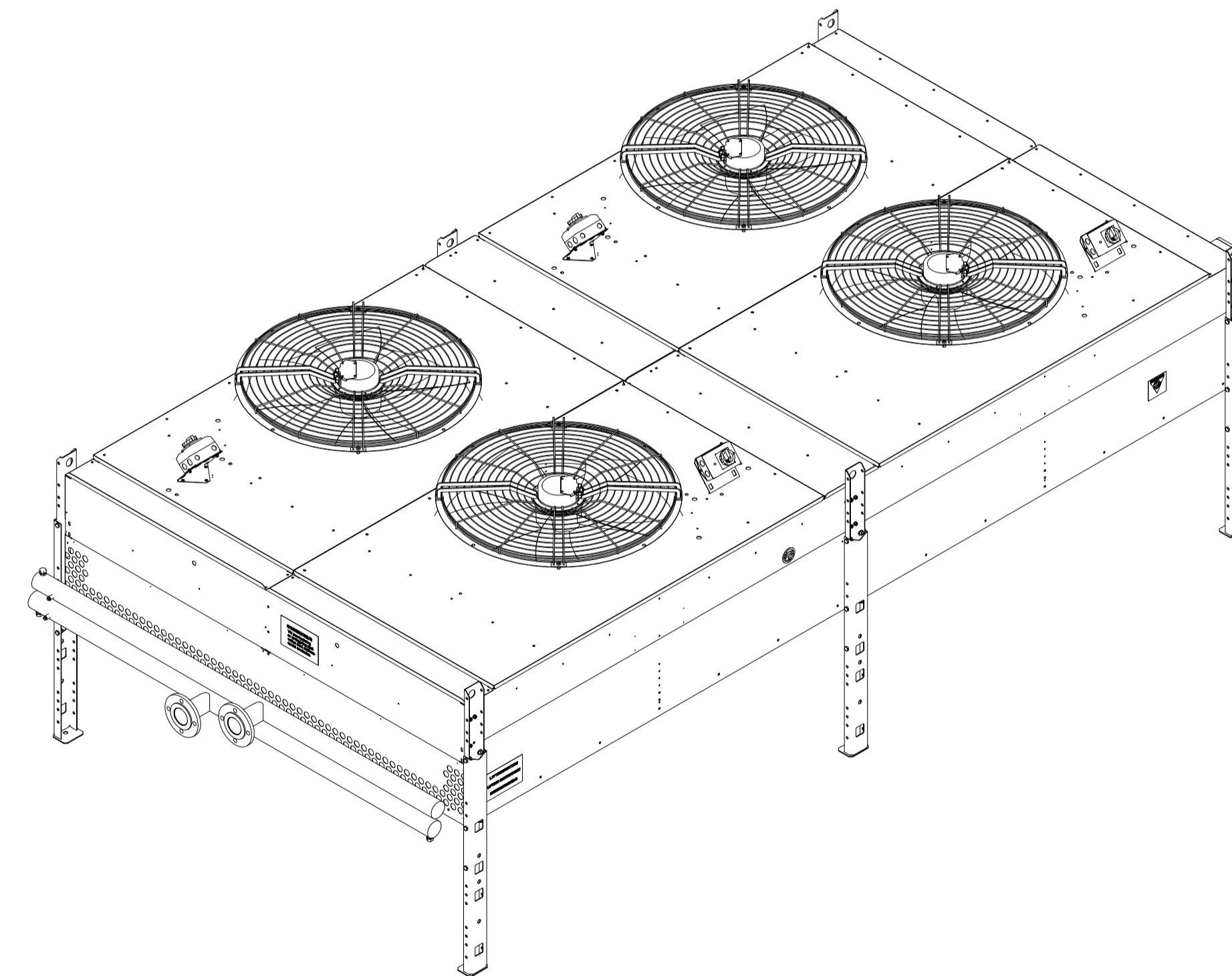
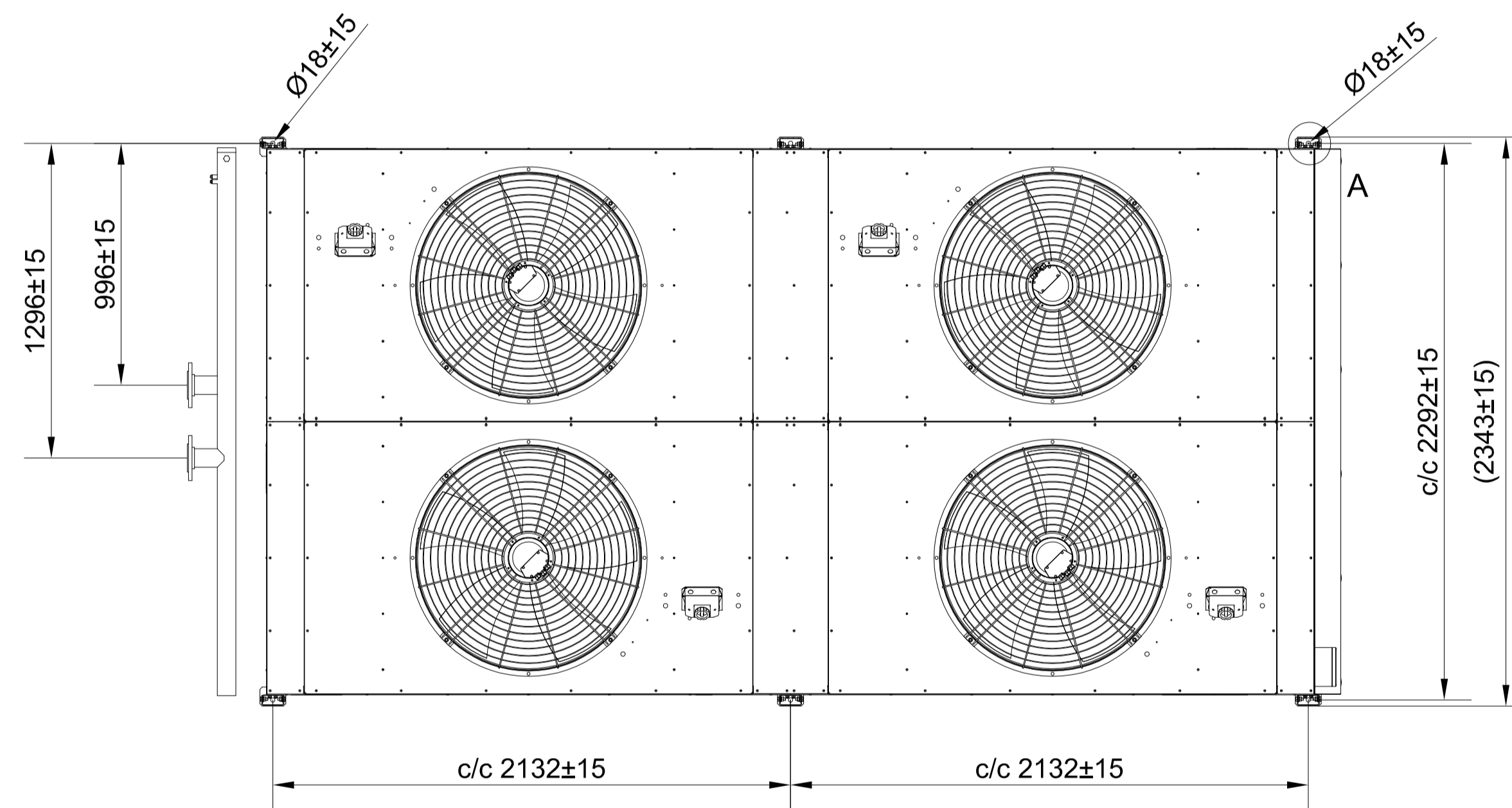
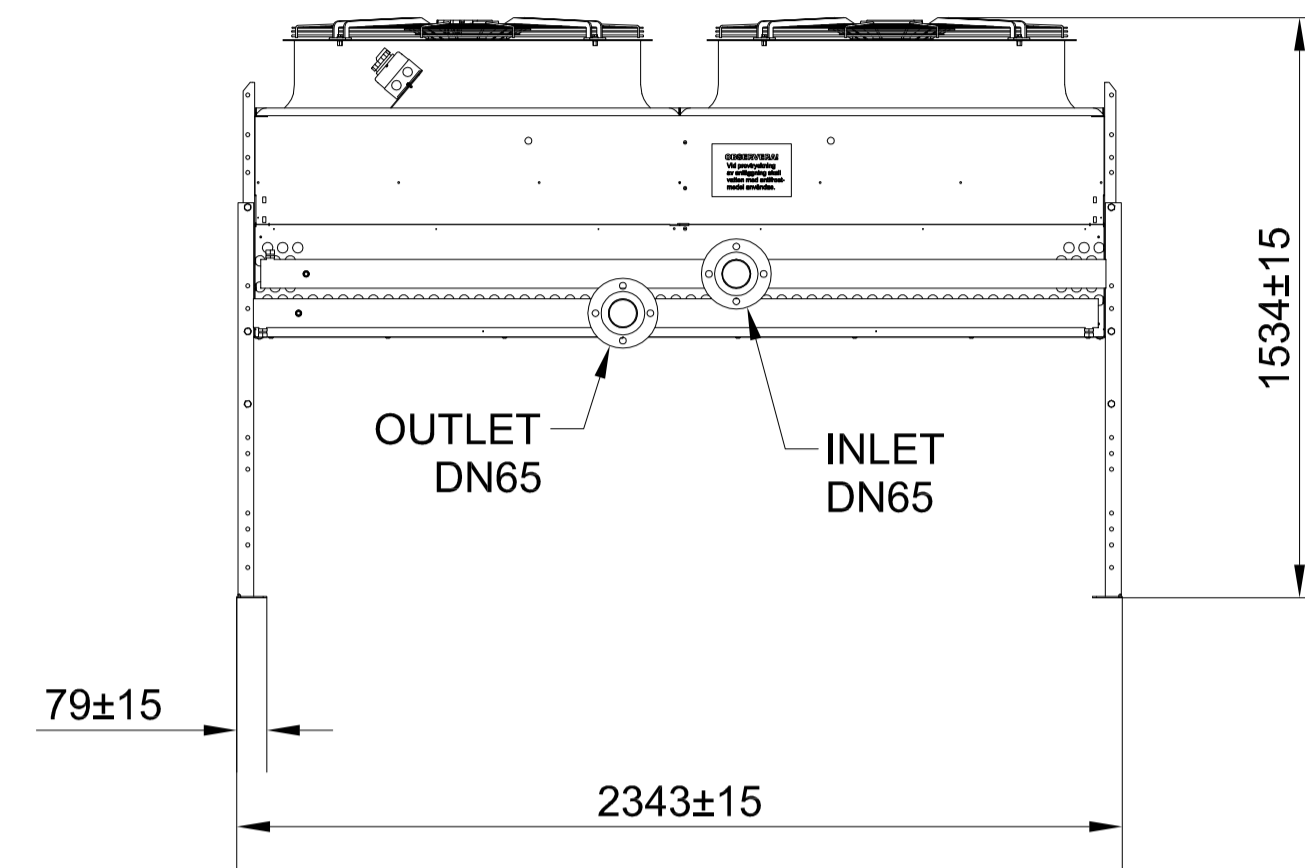
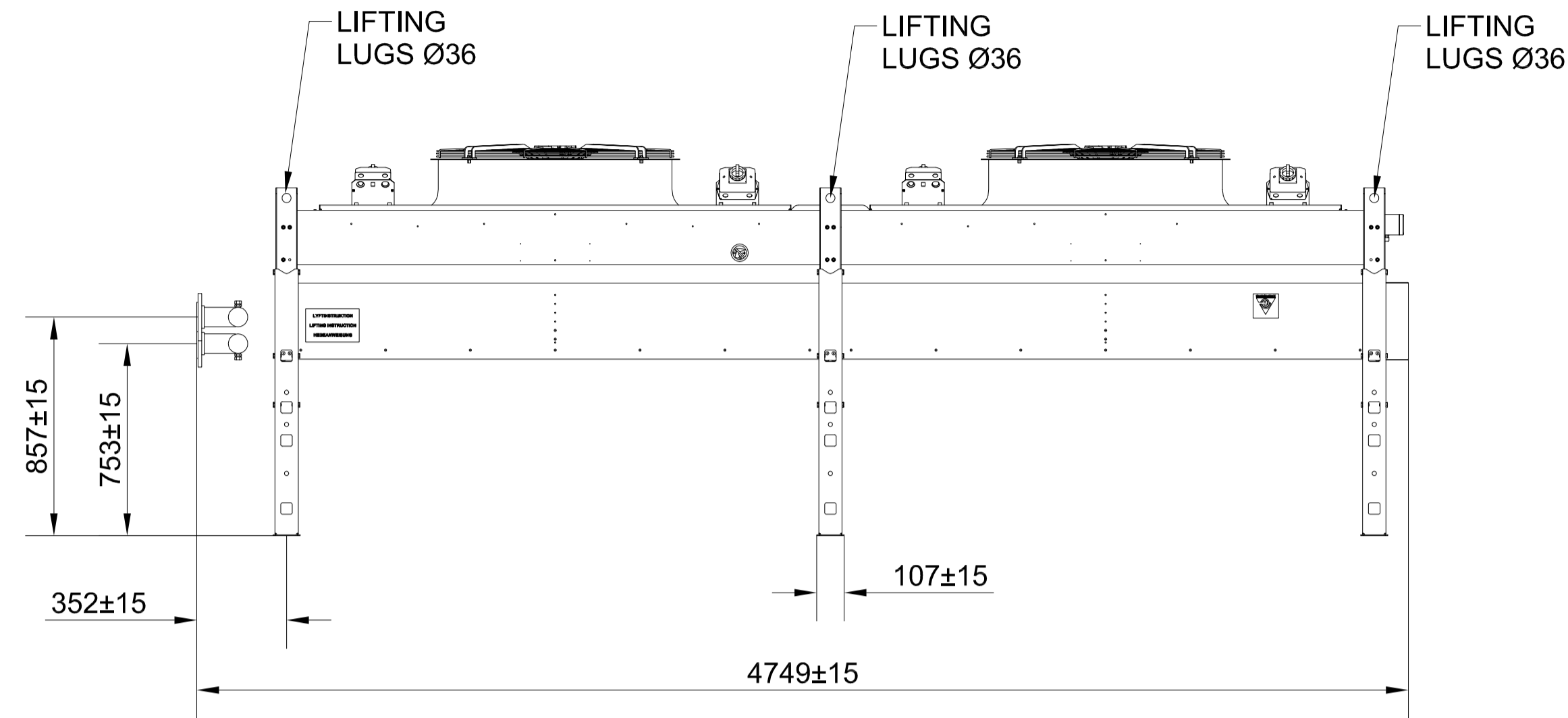
Drawing refers to Fan Unit for Qvantum LB series Heat Pumps.

MODEL RANGE
Fan Unit for Qvantum Q144LB4.

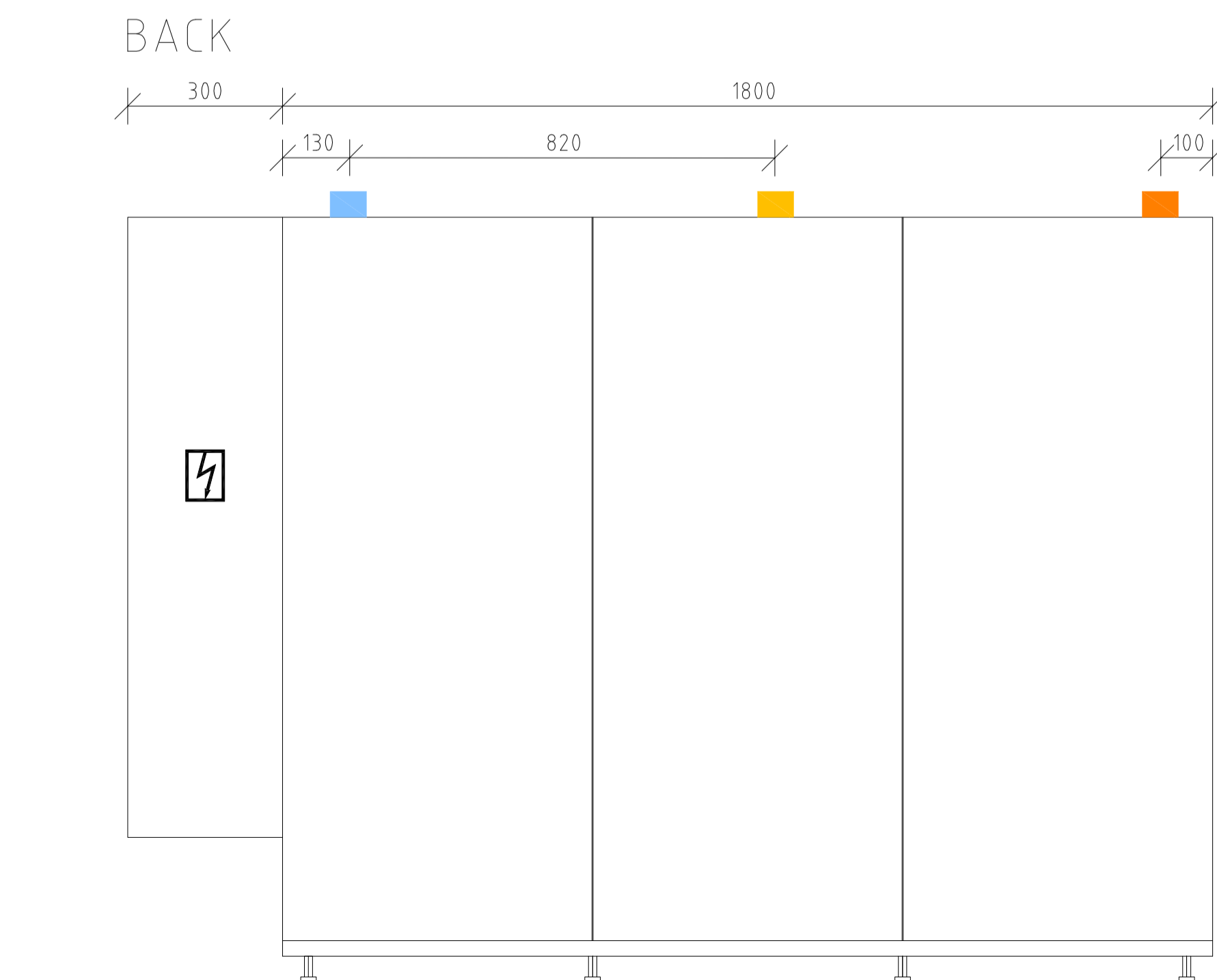
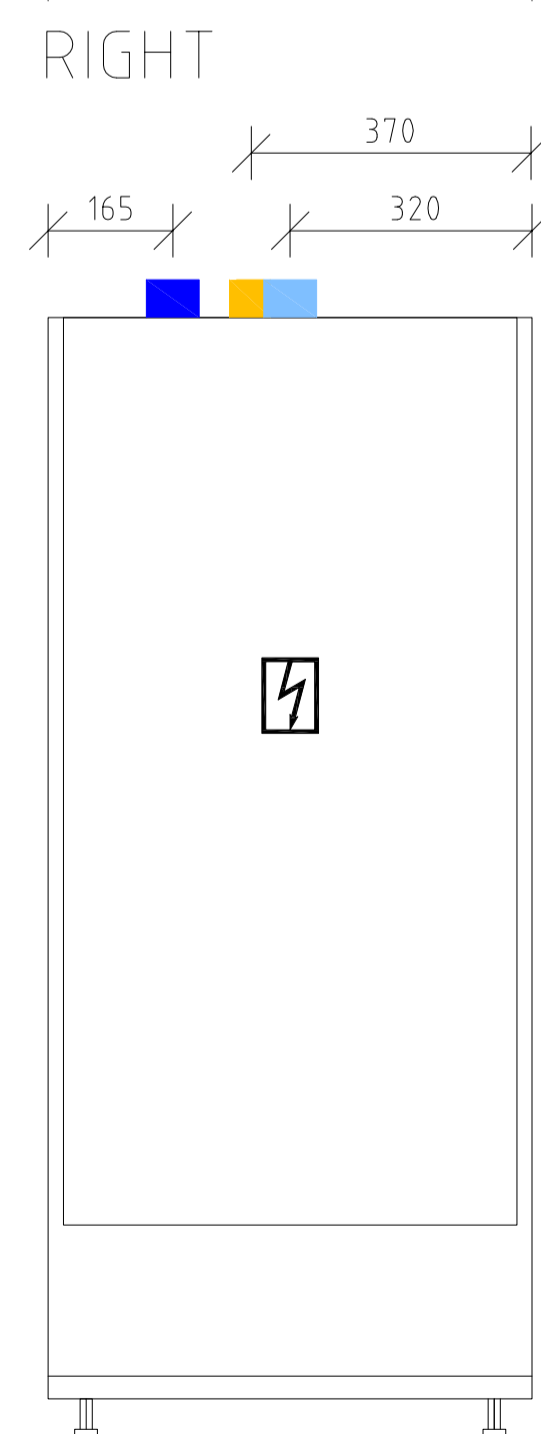
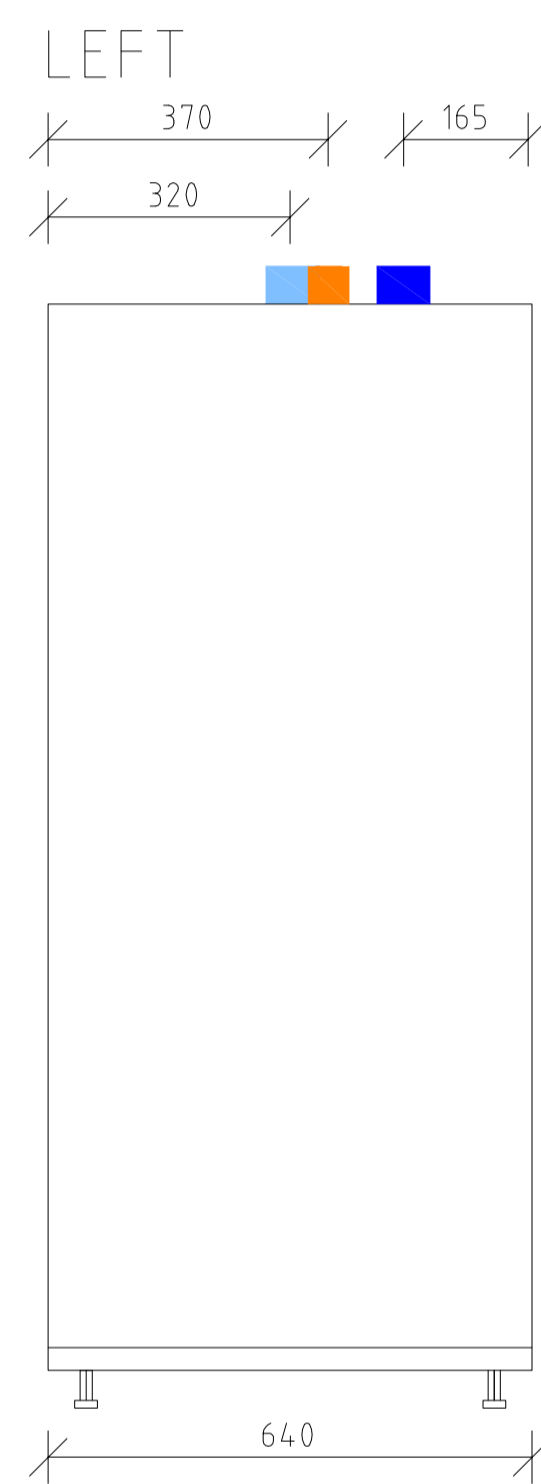
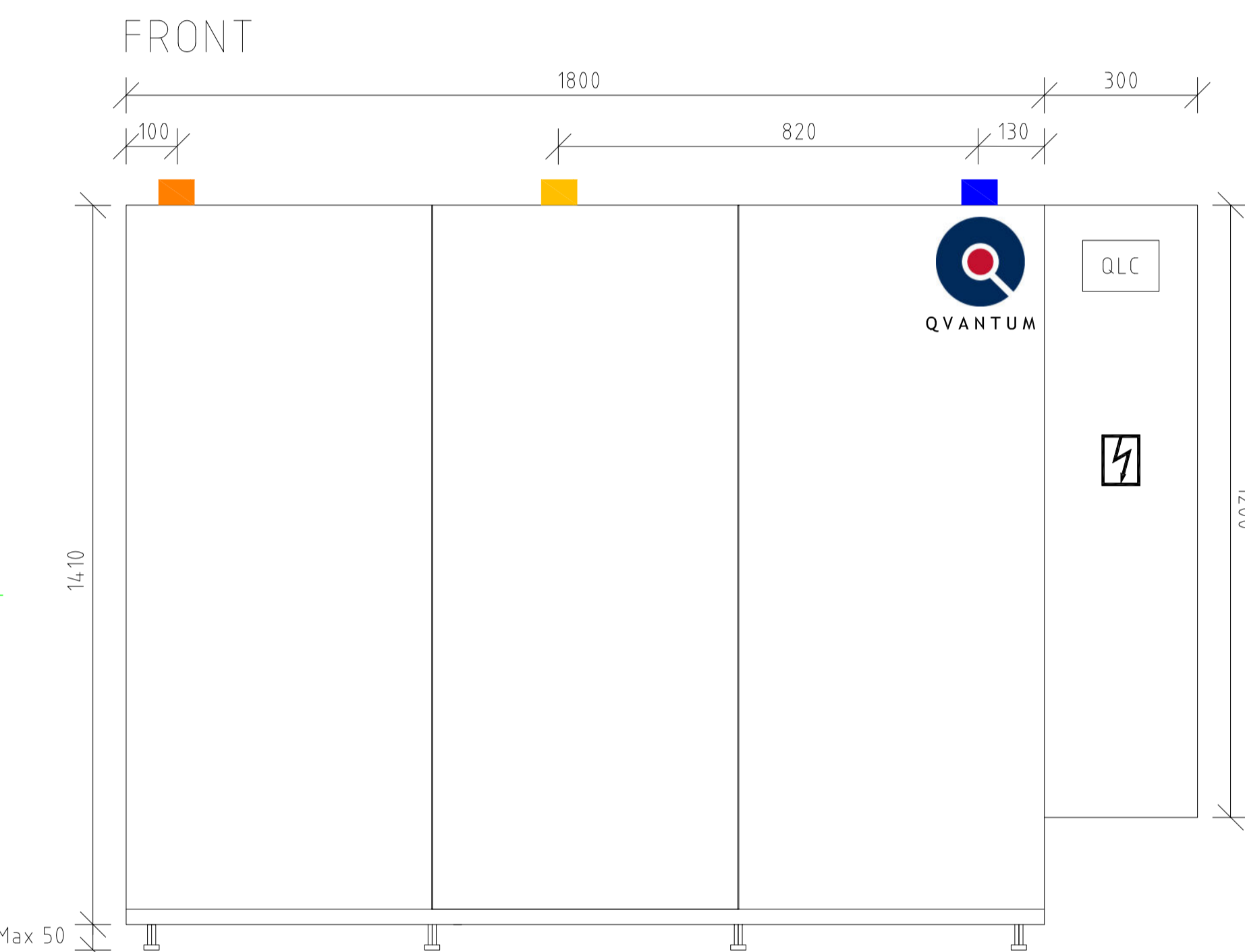
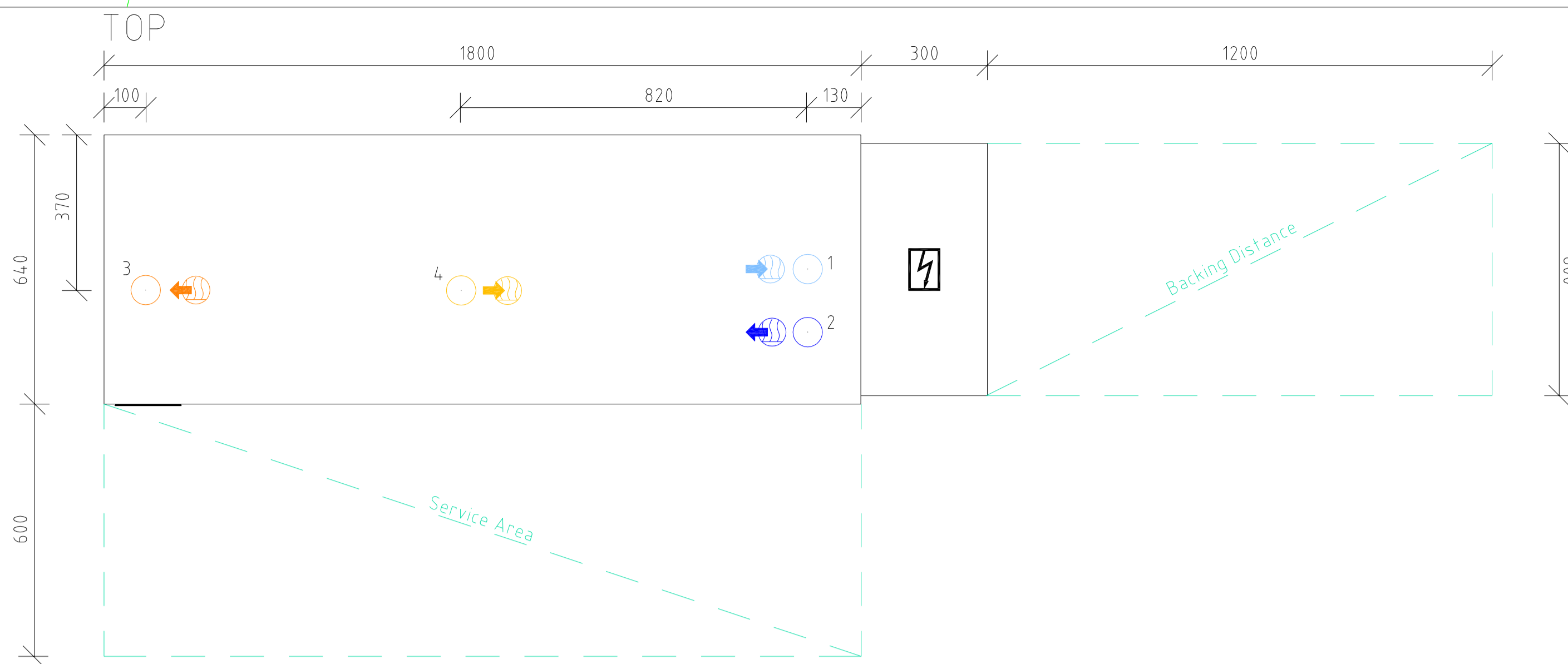
CONNECTION PLACEMENT
Left side connection.

CONNECTION SIZES
OUTLET: DN65
INLET: DN65

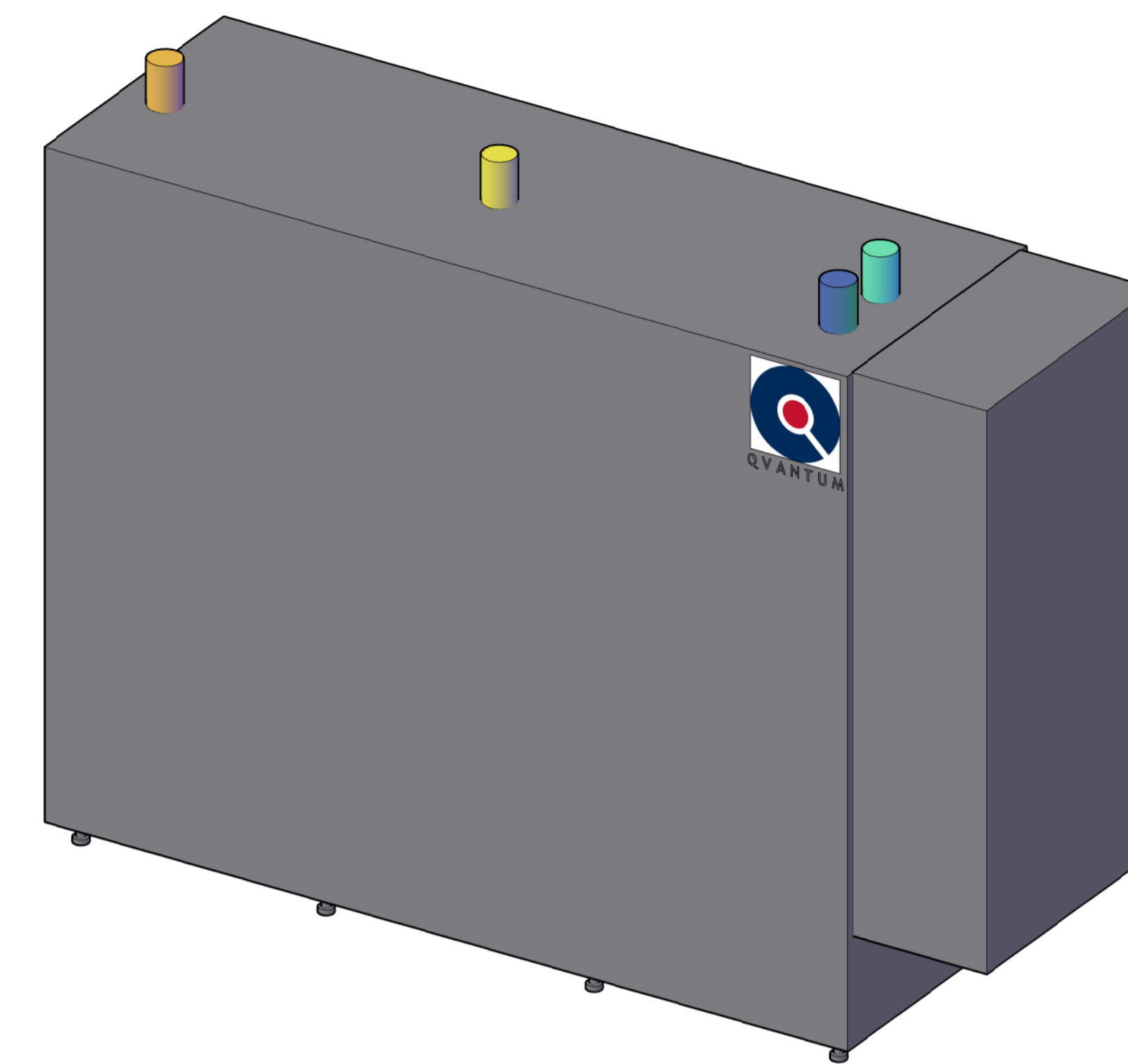
All measurements in millimeter.
All measurements with ±15 mm tolerance.



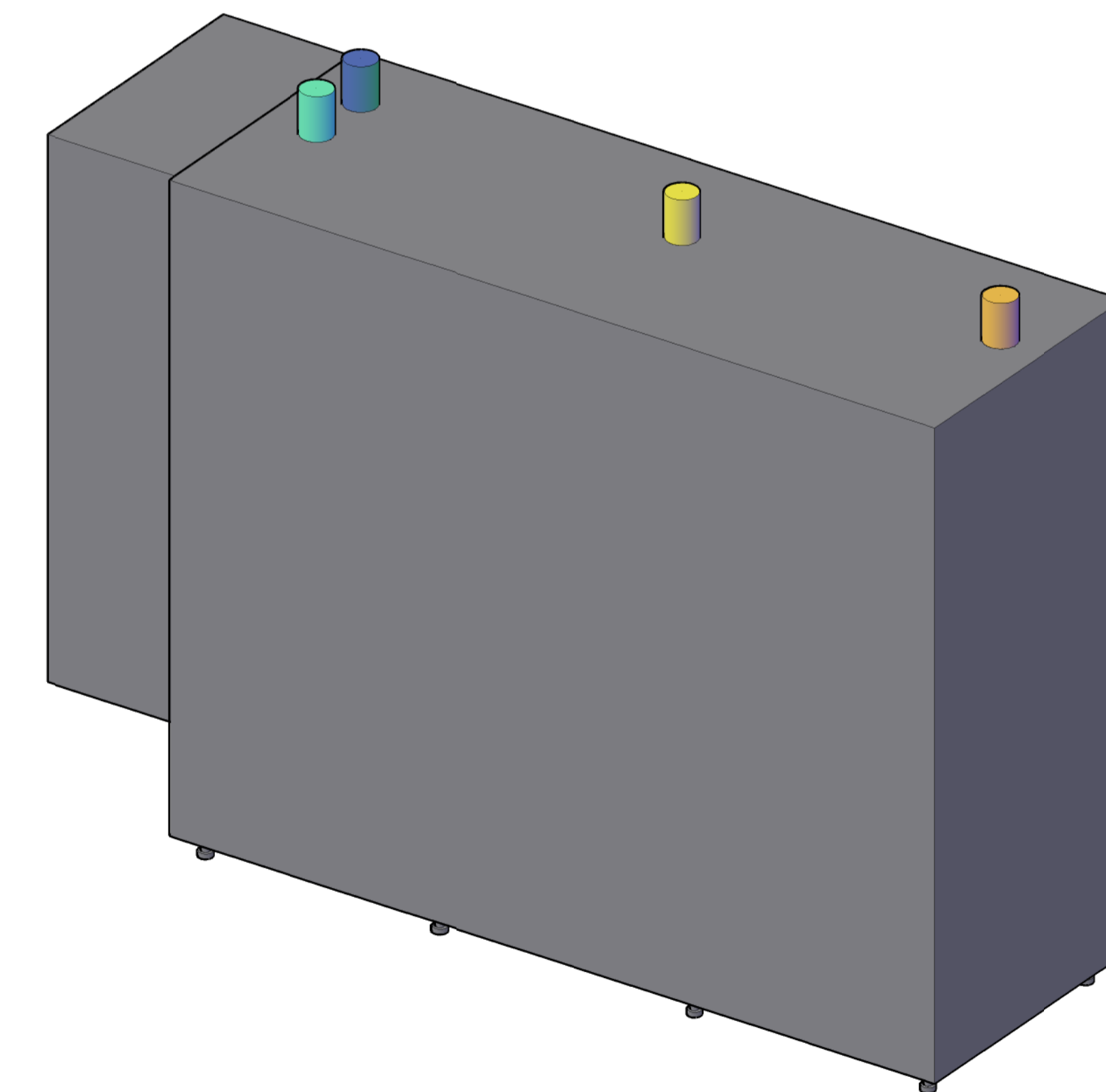
REV	REVISION TYPE	DATE	SIGN
PHASE MEASUREMENT DRAWING			
Fan Unit for Q144LB4			
QVANTUM ENERGI AB Ringugnsgatan 12 216 16 Limhamn, Sweden www.quantum.com			
A	XXX	phone XXX-XXXX	fax XXX-XXXX
K	XXX	phone XXX-XXXX	fax XXX-XXXX
E	XXX	phone XXX-XXXX	fax XXX-XXXX
V	XXX	phone XXX-XXXX	fax XXX-XXXX
SPR	XXX	phone XXX-XXXX	fax XXX-XXXX
BR	XXX	phone XXX-XXXX	fax XXX-XXXX
M	XXX	phone XXX-XXXX	fax XXX-XXXX
HP	Quantum Energi AB	phone +46 10 332 00 50	fax XXX-XXXX
PROJECT NUMBER		DRAWN BY	
-		J.E.	
DATE		APPROVED BY	
2023-05-04		J.E.	
QVANTUM ENERGI AB FAN UNIT FOR QVANTUM Q144LB4 MEASUREMENT DRAWING			
SCALE		DRAWING NUMBER	
1:20 (A1) 1:40 (A3)		Q-LB4-144-FU-001	



ISO, SE VIEW



ISO, NW VIEW



QVANTUM HEAT PUMPS

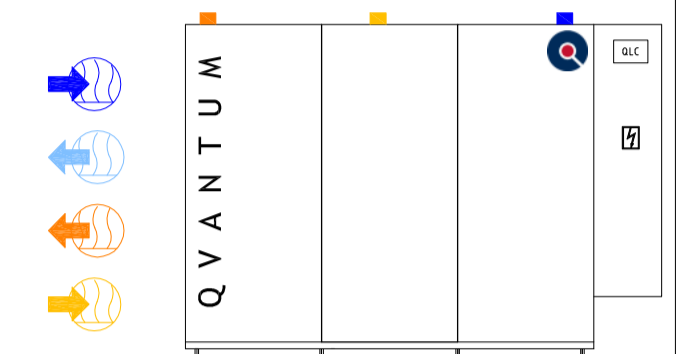
Drawing refers to Quantum LB series Heat Pumps.

MODEL RANGE
Q162LB4 to Q192LB4.

CONNECTION PLACEMENT
Top connection.

CONNECTION SIZES
Q162LB4 and Q192LB4
Condensor - Cu 70.0 mm
Evaporator - Cu 70.0 mm

- INLET & OUTLET**
1. Evaporator Inlet
 2. Evaporator Outlet
 3. Condensor Outlet
 4. Condensor Inlet



 Power Supply.

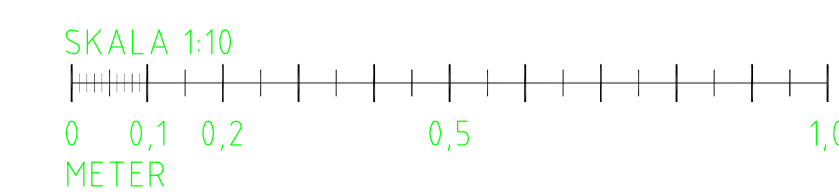
Electric Cabinet can be placed on either side.

All components inside heat pump are available from front.

All measurements in millimeter.

All measurements with ± 15 mm tolerance.

REV	REVISION TYPE	DATE	SIGN
PHASE MEASUREMENT DRAWING			
LB SERIES Q162LB4 to Q192LB4			
QVANTUM ENERGI AB Ringugnsgatan 12 216 16 Limhamn, Sweden www.quantum.com			
A	XXX	phone XXX-XXXX	fax XXX-XXXX
K	XXX	phone XXX-XXXX	fax XXX-XXXX
E	XXX	phone XXX-XXXX	fax XXX-XXXX
V	XXX	phone XXX-XXXX	fax XXX-XXXX
SPR	XXX	phone XXX-XXXX	fax XXX-XXXX
BR	XXX	phone XXX-XXXX	fax XXX-XXXX
M	XXX	phone XXX-XXXX	fax XXX-XXXX
HP	Quantum Energi AB	phone +46 10 332 00 50	fax XXX-XXXX
PROJECT NUMBER		DRAWN BY	
-		J.E.	
DATE		APPROVED BY	
2023-09-15			
QVANTUM ENERGI AB LB SERIES HEAT PUMPS MEASUREMENT DRAWING			
SCALE	DRAWING NUMBER		REV
1:10 (A1)	Q-LB4-162-192-001		
1:20 (A3)			



Subject to possible printing errors.

LAGER: SB11

PLO: 2023-09-28 00:27 J:\QVANTUM\01\INTERNT\AS\RINGUGNSGATAN\MOD\SERIE\LB4.DWG JONAS

QVANTUM HEAT PUMPS

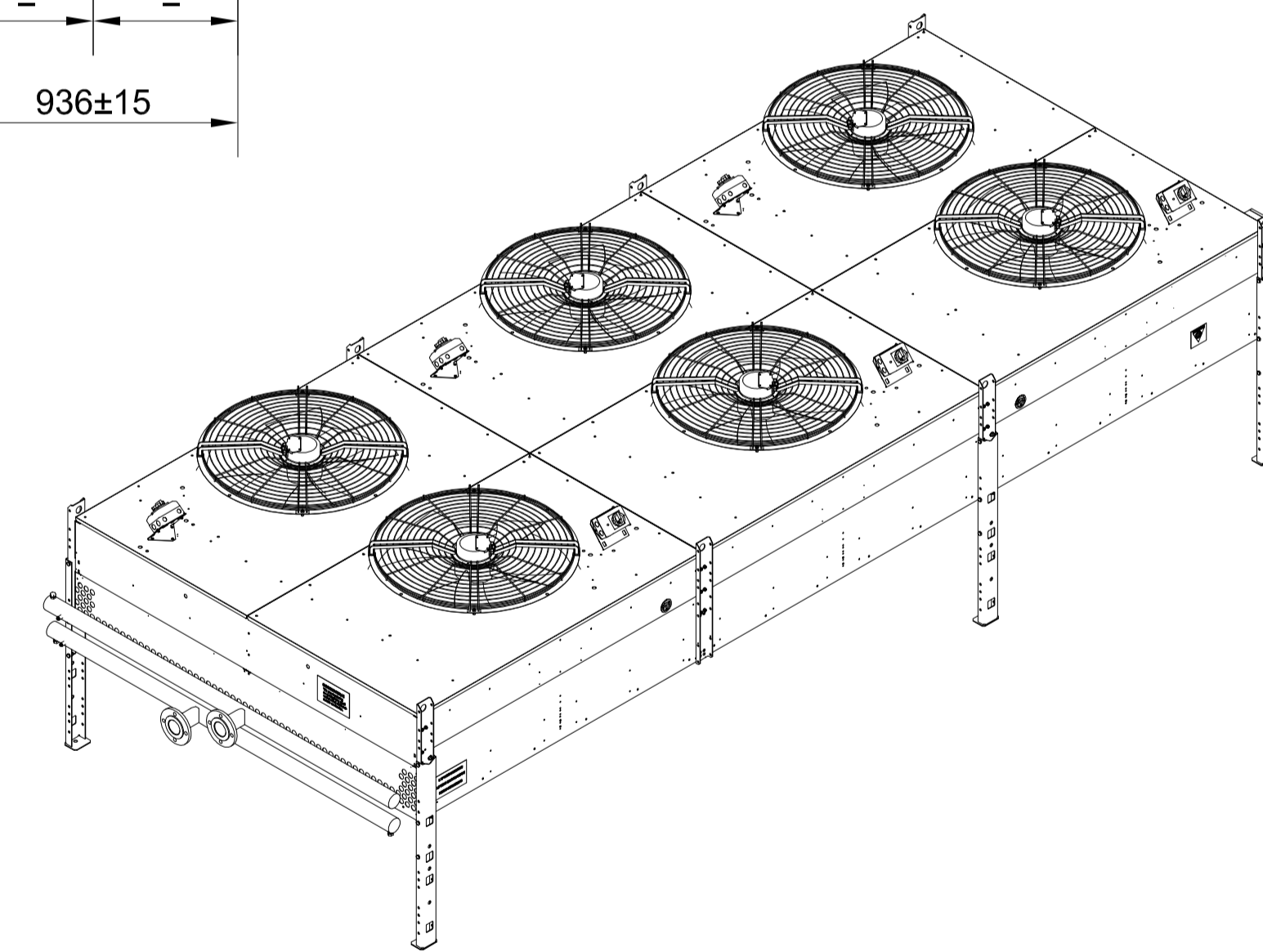
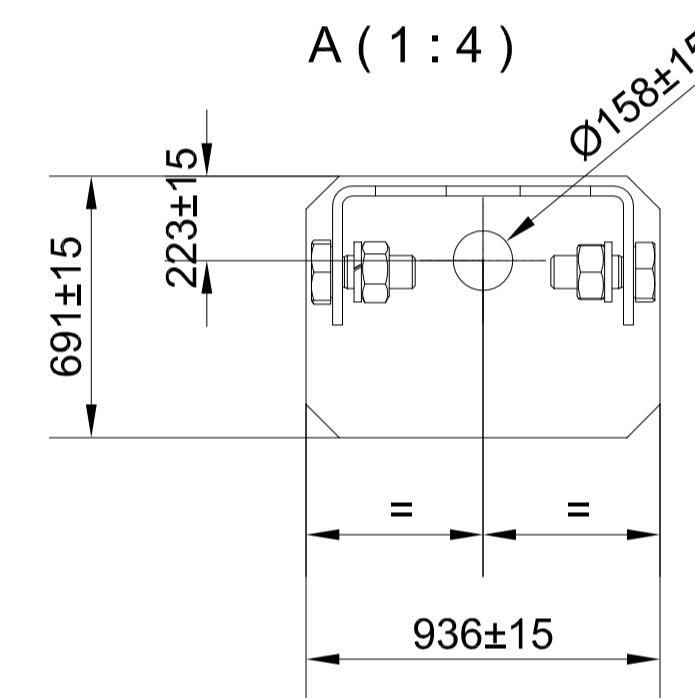
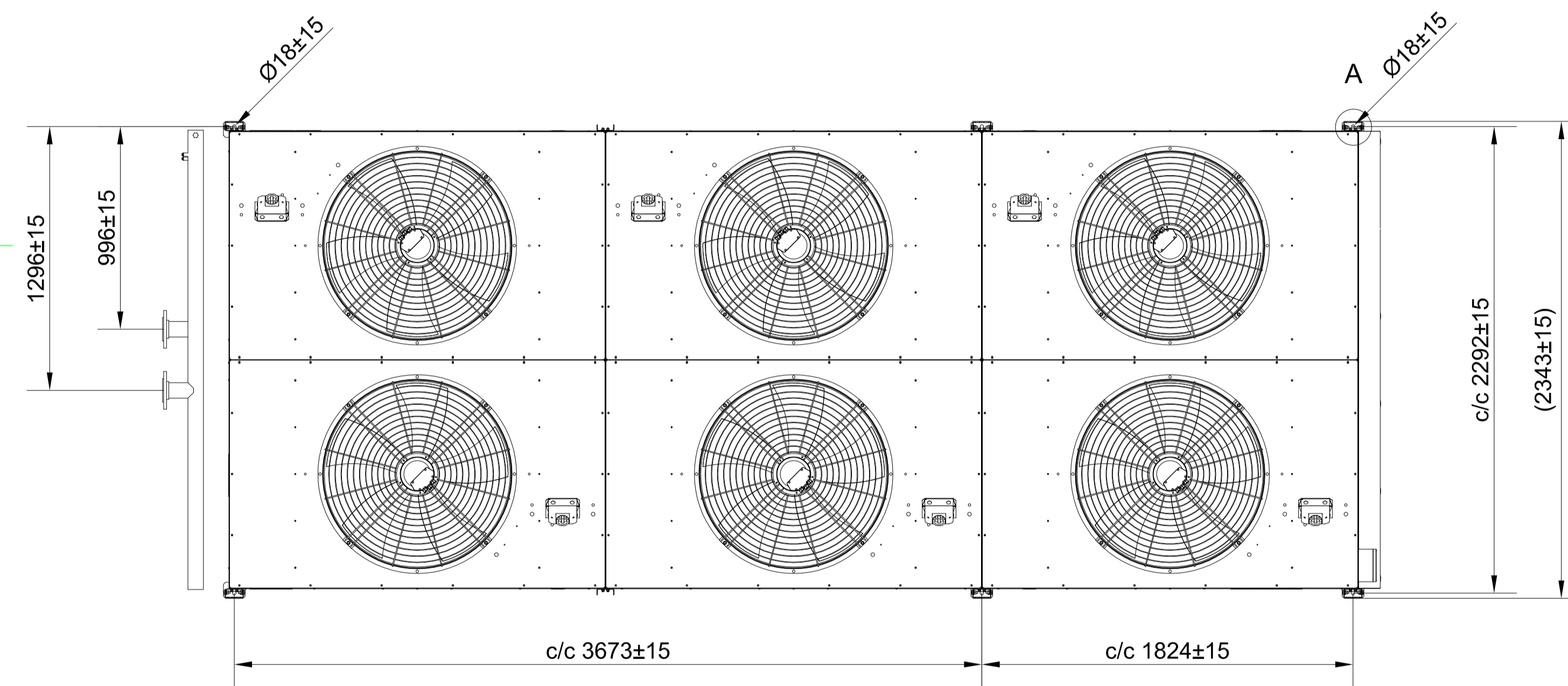
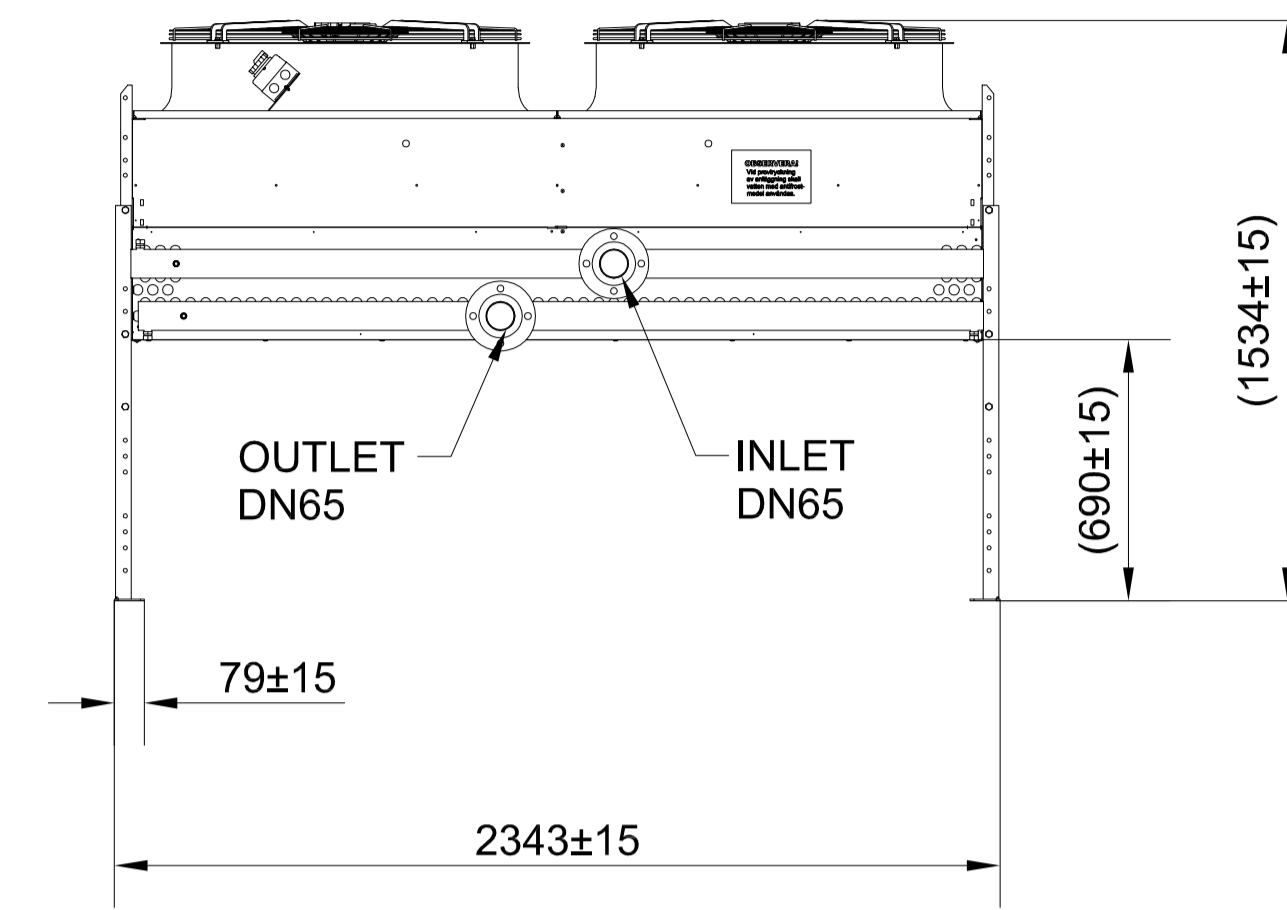
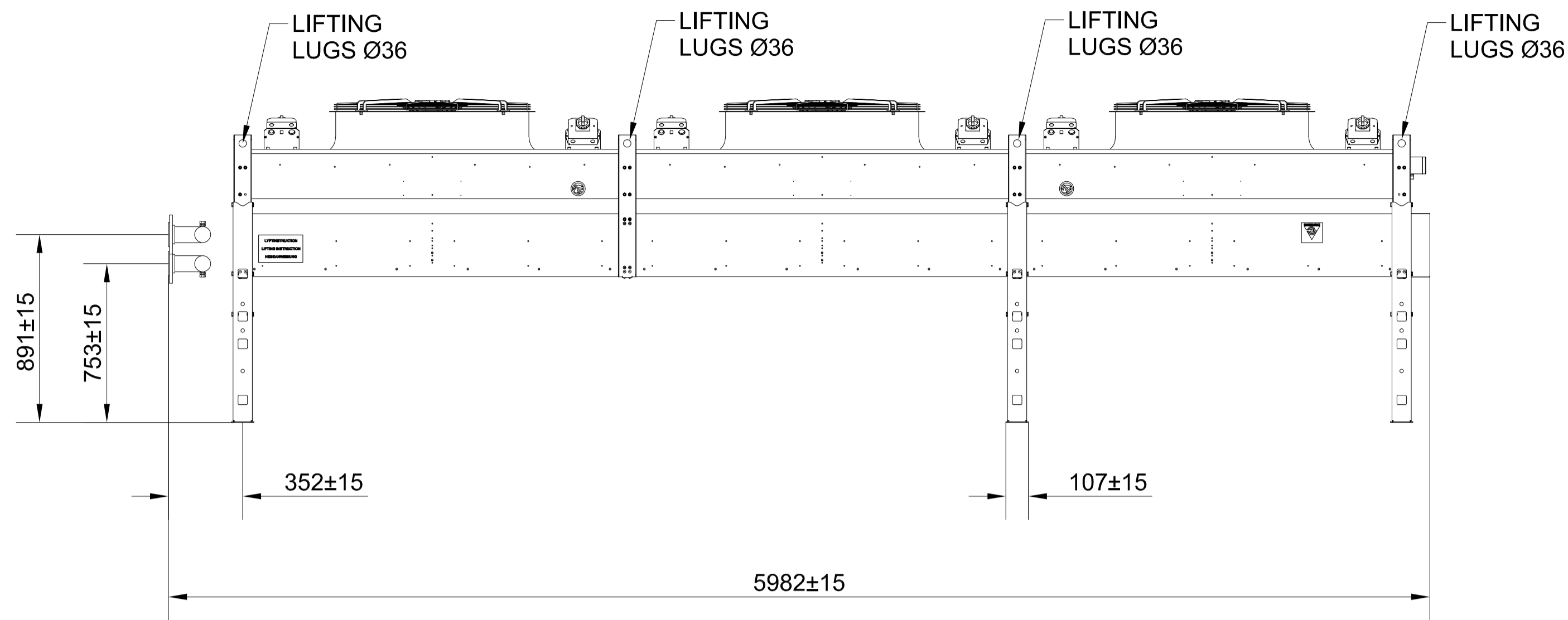
Drawing refers to Fan Unit for Qvantum LB series Heat Pumps.

MODEL RANGE
Fan Unit for Qvantum Q162LB4.

CONNECTION PLACEMENT
Left side connection.

CONNECTION SIZES
OUTLET: DN65
INLET: DN65

All measurements in millimeter.
All measurements with ±15 mm tolerance.



REV	REVISION TYPE	DATE	SIGN
PHASE	MEASUREMENT DRAWING		

Fan Unit for Q162LB4

QVANTUM ENERGI AB
Ringugnsgatan 12
216 16 Limhamn, Sweden
www.quantum.com



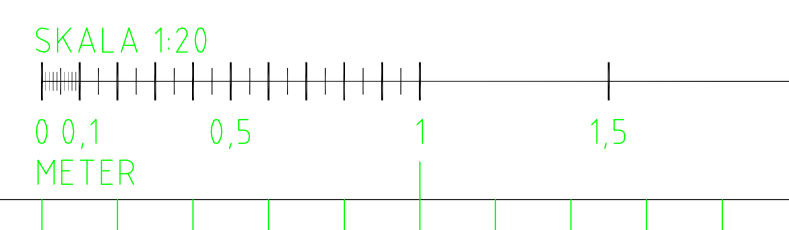
A	XXX	phone XXX-XXX	fax XXX-XXX
K	XXX	phone XXX-XXX	fax XXX-XXX
E	XXX	phone XXX-XXX	fax XXX-XXX
V	XXX	phone XXX-XXX	fax XXX-XXX
SPR	XXX	phone XXX-XXX	fax XXX-XXX
BR	XXX	phone XXX-XXX	fax XXX-XXX
M	XXX	phone XXX-XXX	fax XXX-XXX
HP	Quantum Energi AB	phone +46 10 332 00 50	fax XXX-XXX

PROJECT NUMBER	DRAWN BY	MANAGED BY
-	J.E.	J.E.

DATE	APPROVED BY
2023-05-04	J.E.

QVANTUM ENERGI AB
FAN UNIT FOR QVANTUM Q162LB4
MEASUREMENT DRAWING

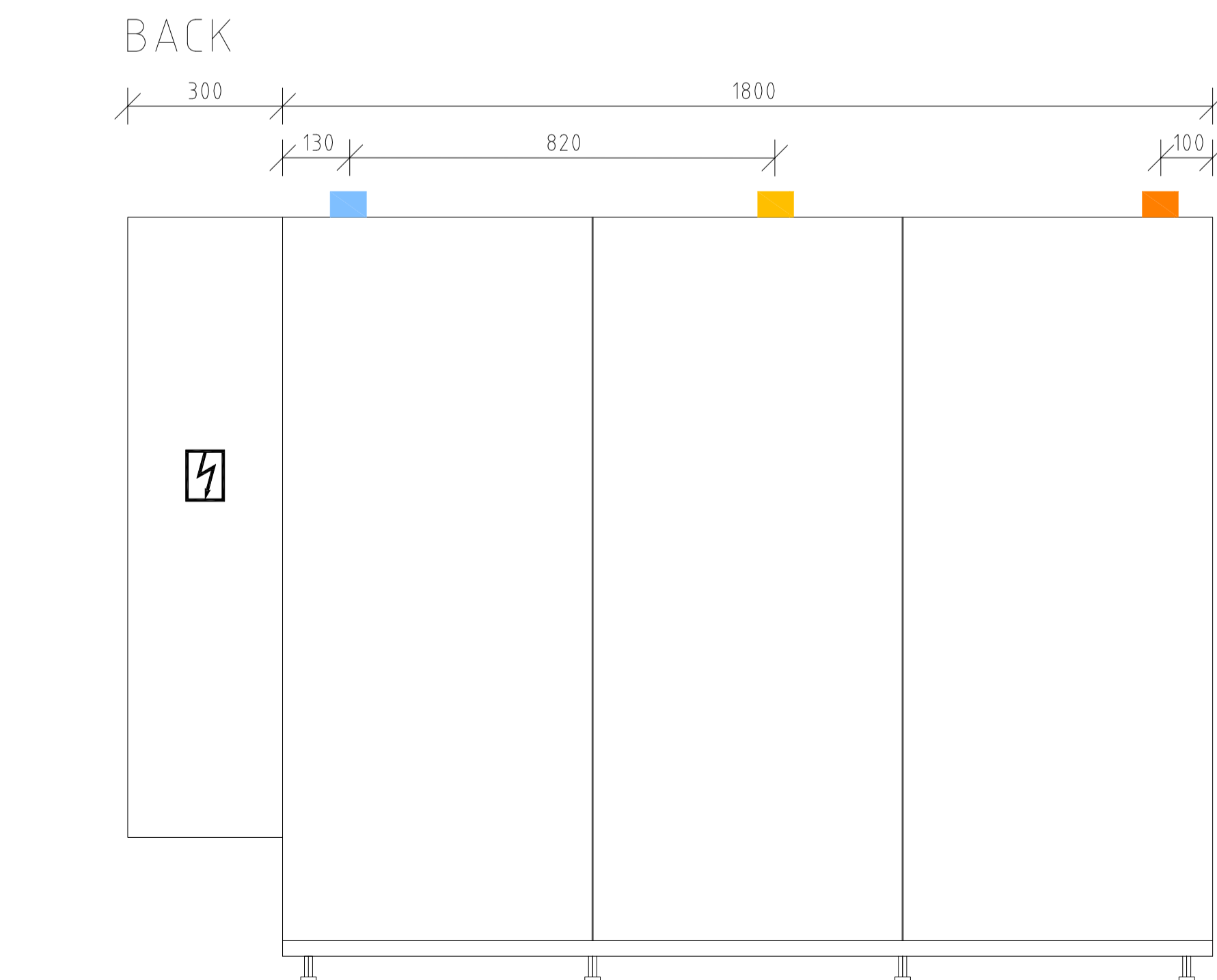
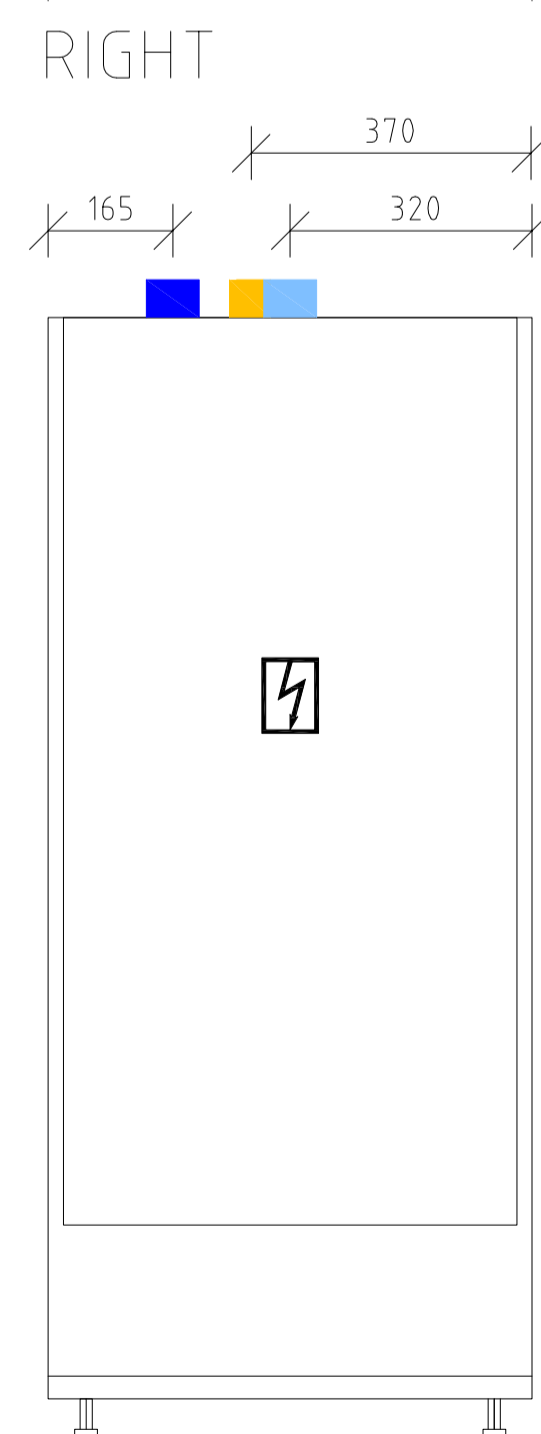
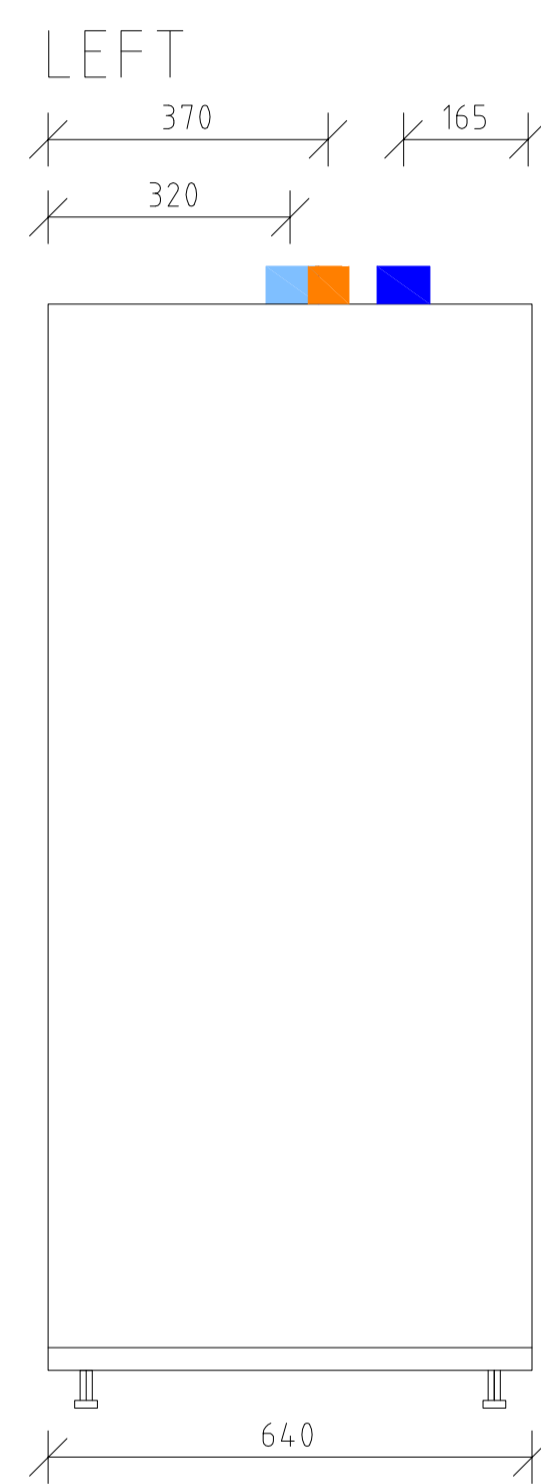
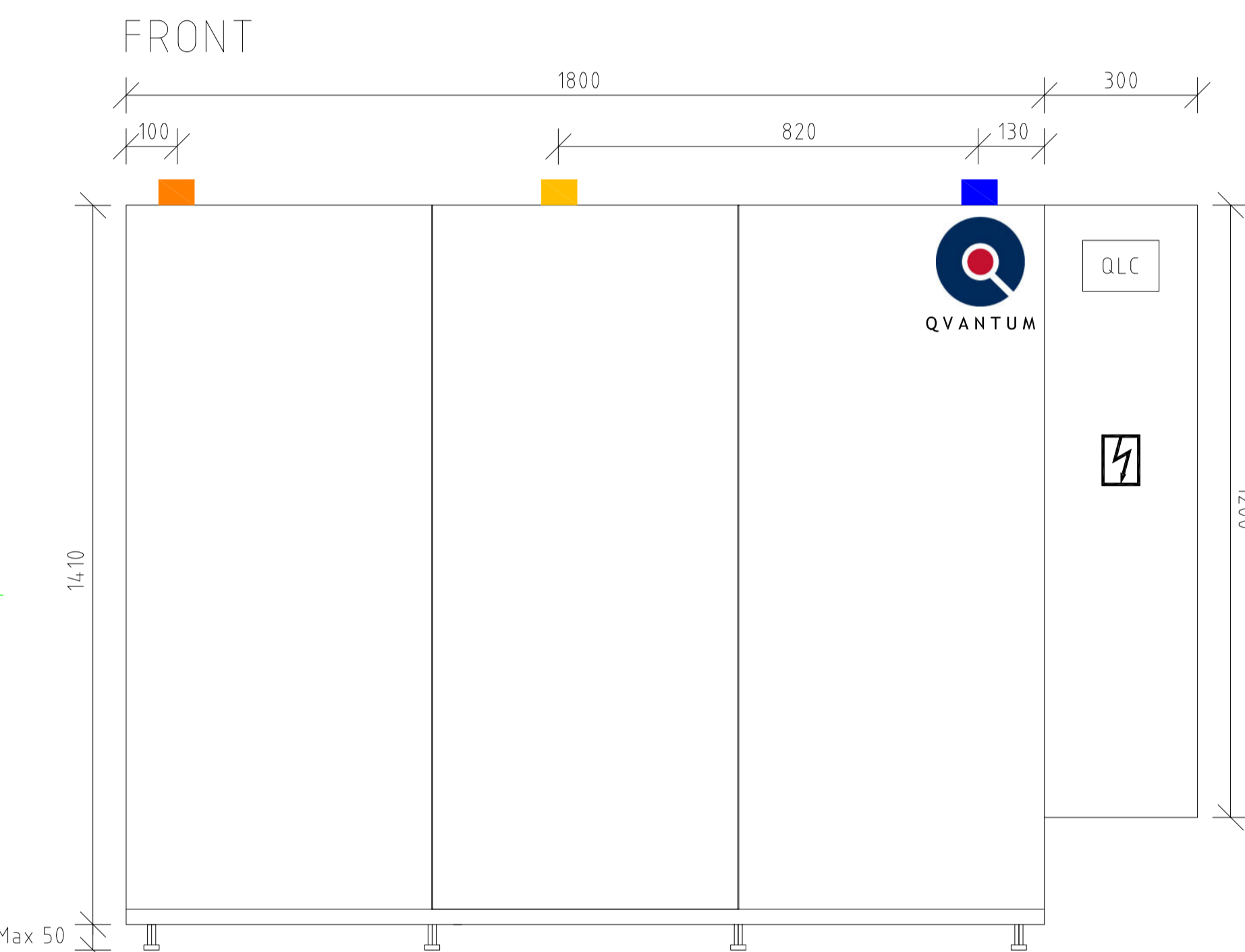
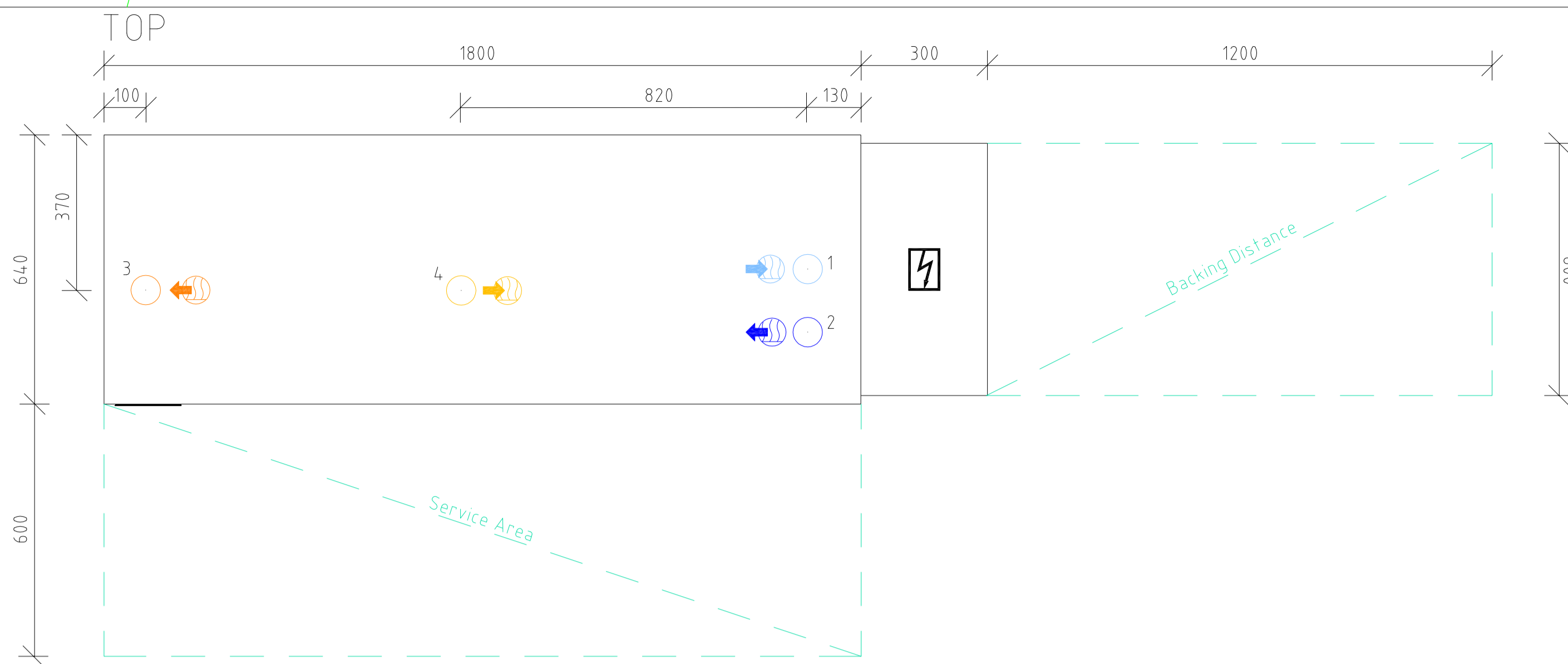
SCALE	DRAWING NUMBER	REV
1:20 (A1) 1:40 (A3)	Q-LB4-162-FU-001	



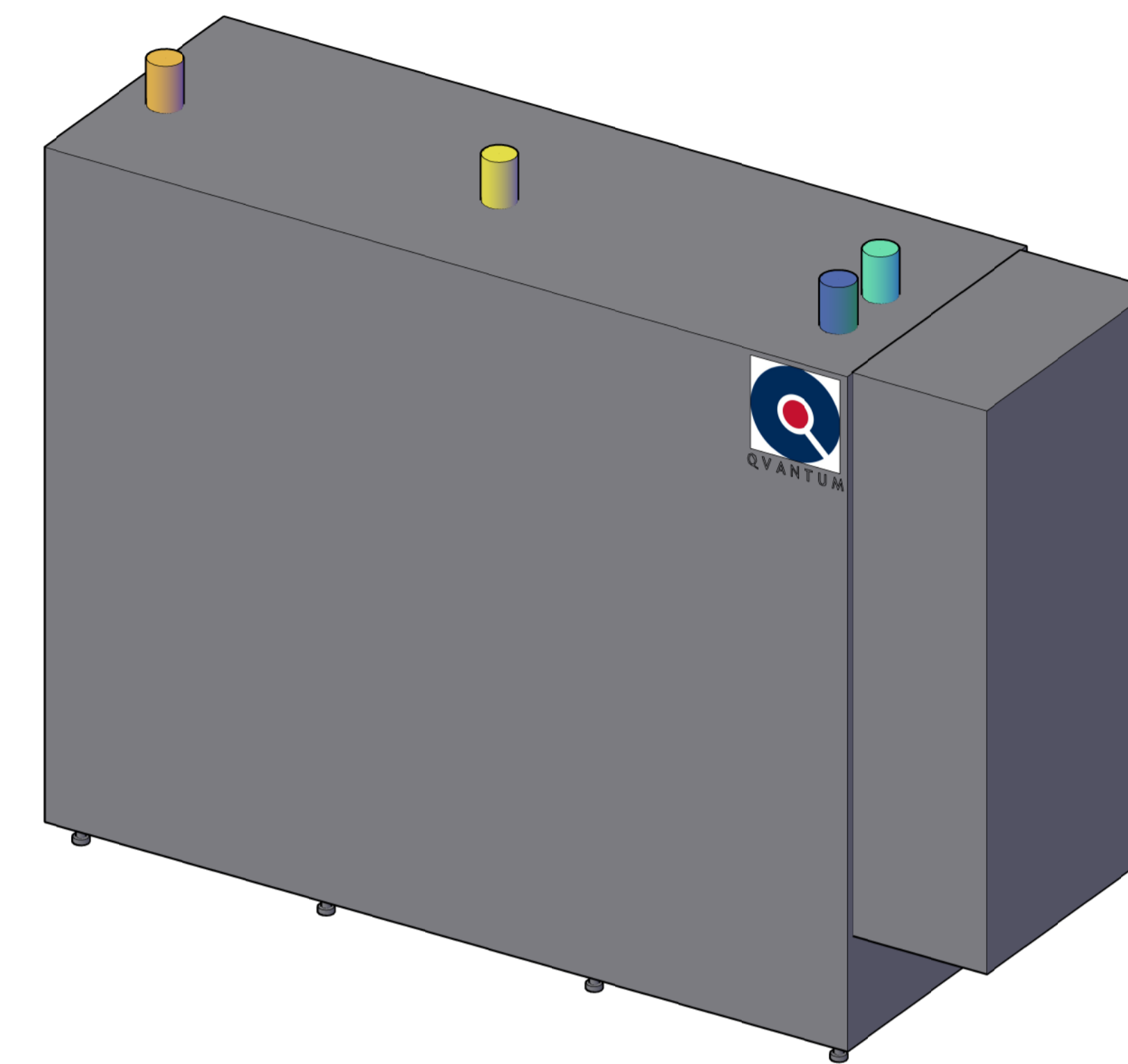
Subject to possible printing errors.

LAGER: SB11

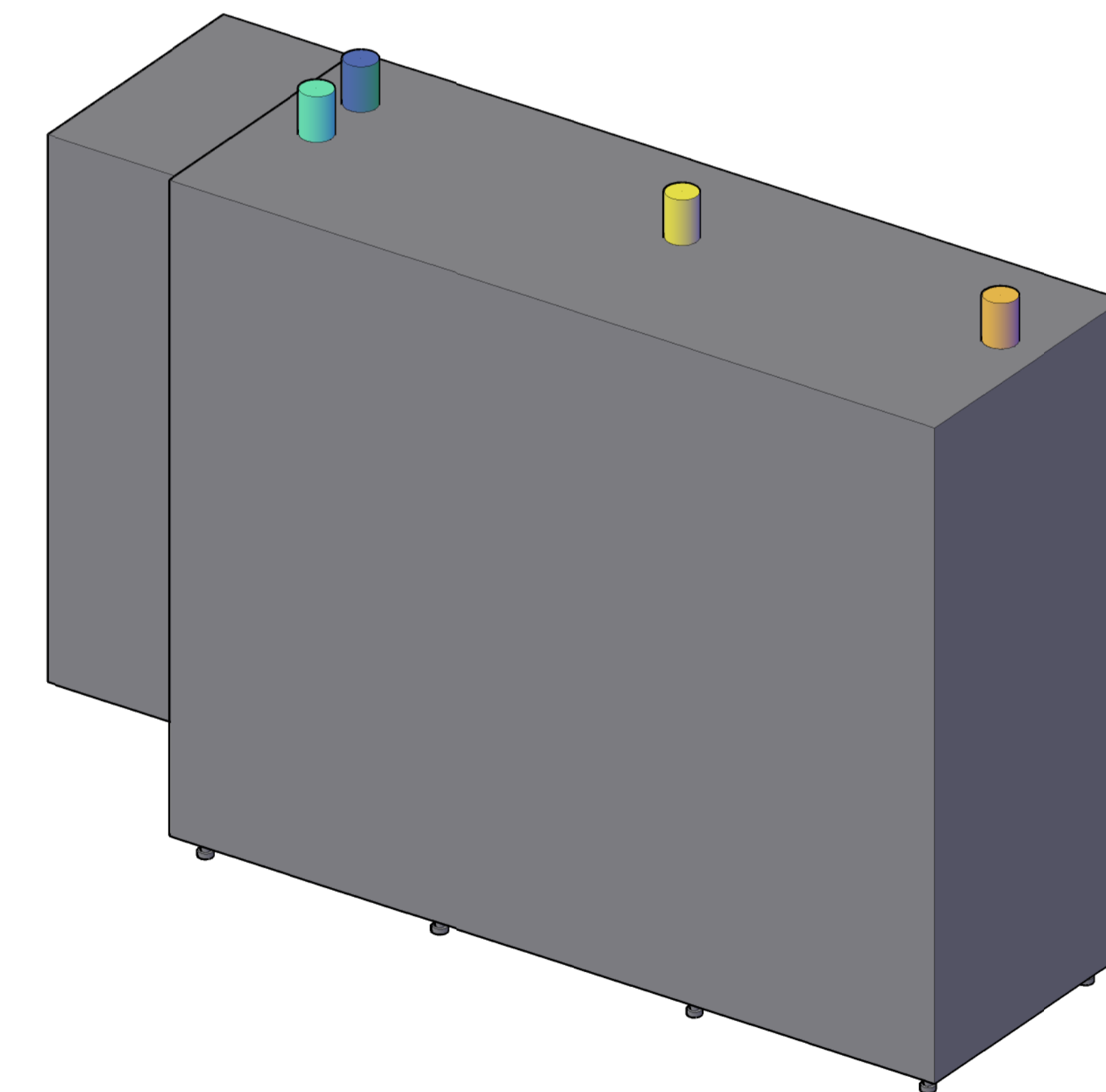
P.L.O. 2023-05-04 19:52 J:\QVANTUM\01\INTERNTUS\RINGUGNSGATAN\SERIE LB4.DWG JONAS



ISO, SE VIEW



ISO, NW VIEW



QVANTUM HEAT PUMPS

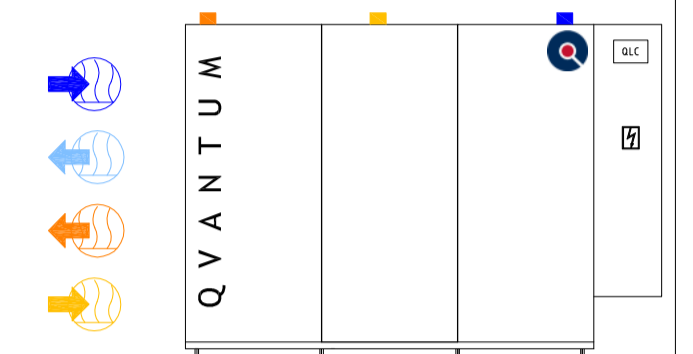
Drawing refers to Quantum LB series Heat Pumps.

MODEL RANGE
Q162LB4 to Q192LB4.

CONNECTION PLACEMENT
Top connection.

CONNECTION SIZES
Q162LB4 and Q192LB4
Condensor - Cu 70.0 mm
Evaporator - Cu 70.0 mm

- INLET & OUTLET**
1. Evaporator Inlet
 2. Evaporator Outlet
 3. Condensor Outlet
 4. Condensor Inlet



 Power Supply.

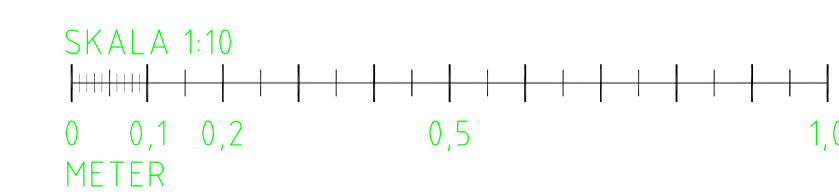
Electric Cabinet can be placed on either side.

All components inside heat pump are available from front.

All measurements in millimeter.

All measurements with ± 15 mm tolerance.

REV	REVISION TYPE	DATE	SIGN
PHASE MEASUREMENT DRAWING			
LB SERIES Q162LB4 to Q192LB4			
QVANTUM ENERGI AB Ringugnsgatan 12 216 16 Limhamn, Sweden www.quantum.com			
A	XXX	phone XXX-XXXX	fax XXX-XXXX
K	XXX	phone XXX-XXXX	fax XXX-XXXX
E	XXX	phone XXX-XXXX	fax XXX-XXXX
V	XXX	phone XXX-XXXX	fax XXX-XXXX
SPR	XXX	phone XXX-XXXX	fax XXX-XXXX
BR	XXX	phone XXX-XXXX	fax XXX-XXXX
M	XXX	phone XXX-XXXX	fax XXX-XXXX
HP	Quantum Energi AB	phone +46 10 332 00 50	fax XXX-XXXX
PROJECT NUMBER		DRAWN BY	
-		J.E.	
DATE		APPROVED BY	
2023-09-15			
QVANTUM ENERGI AB LB SERIES HEAT PUMPS MEASUREMENT DRAWING			
SCALE	DRAWING NUMBER		REV
1:10 (A1)	Q-LB4-162-192-001		
1:20 (A3)			



Subject to possible printing errors.

LAGER: SB11

PLO: 2023-09-28 00:27 J:\QVANTUM\01\INTERNT\AS\RINGUGNSGATAN\MOD\SERIE\LB4.DWG JONAS

QVANTUM HEAT PUMPS

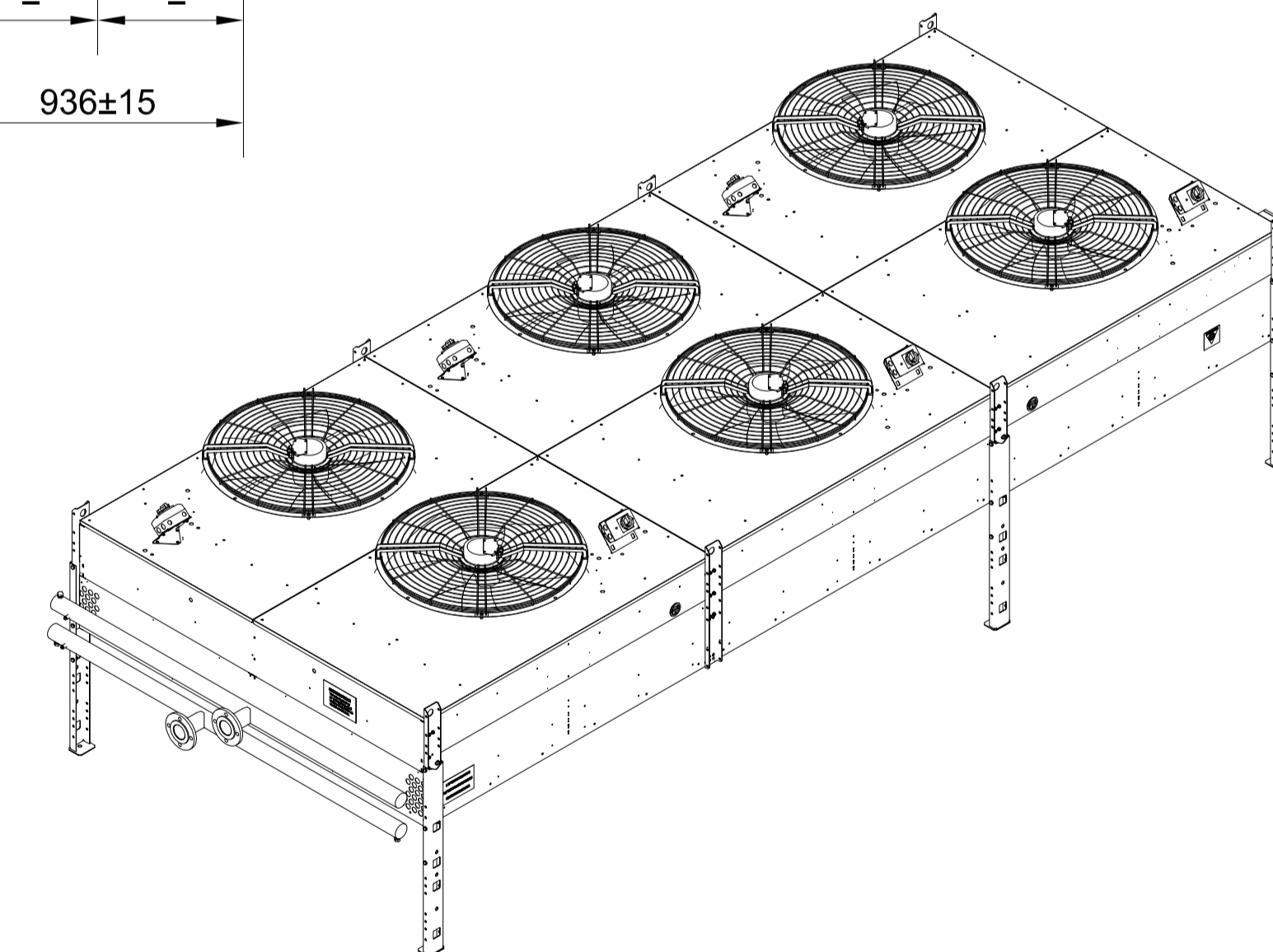
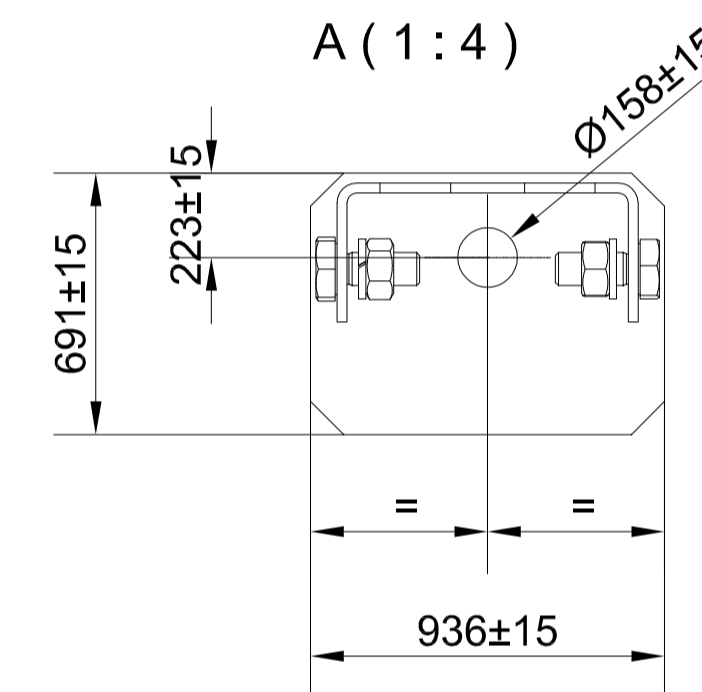
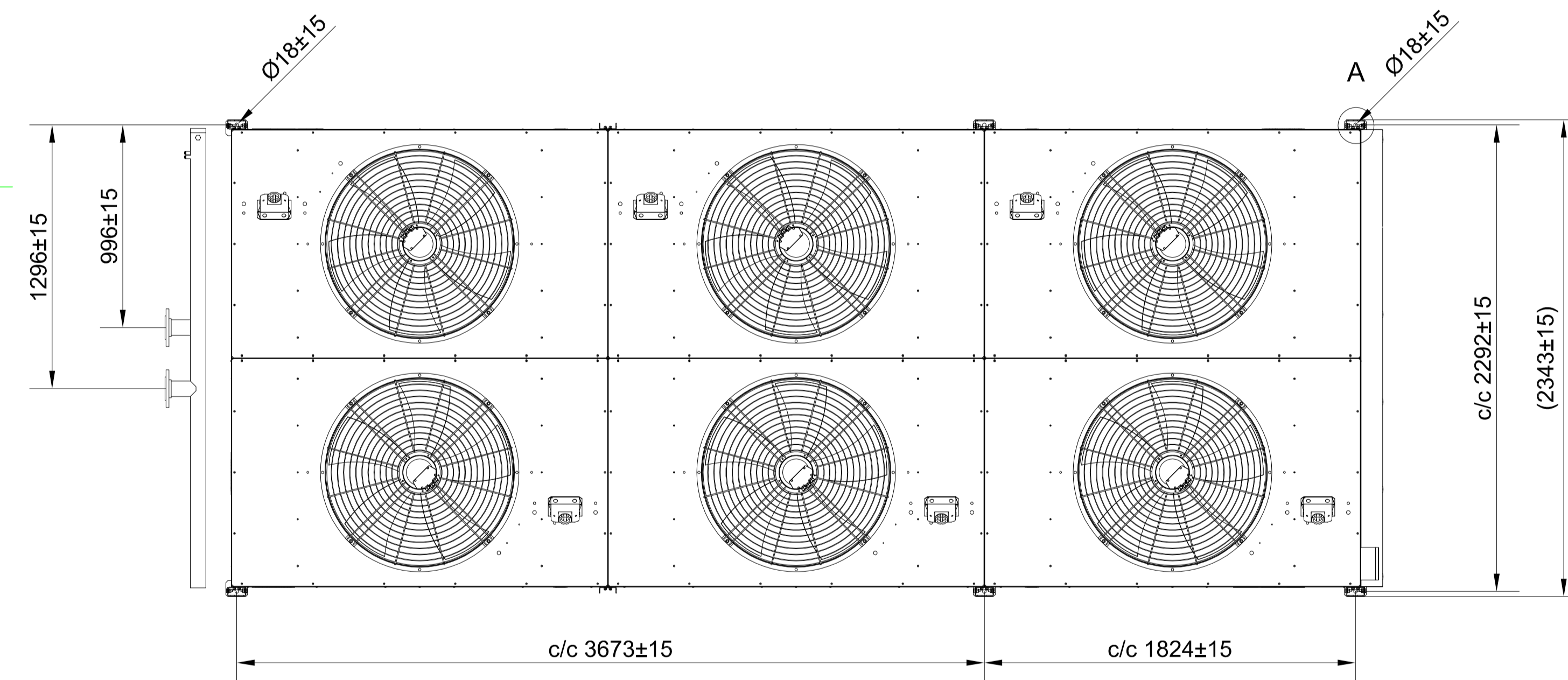
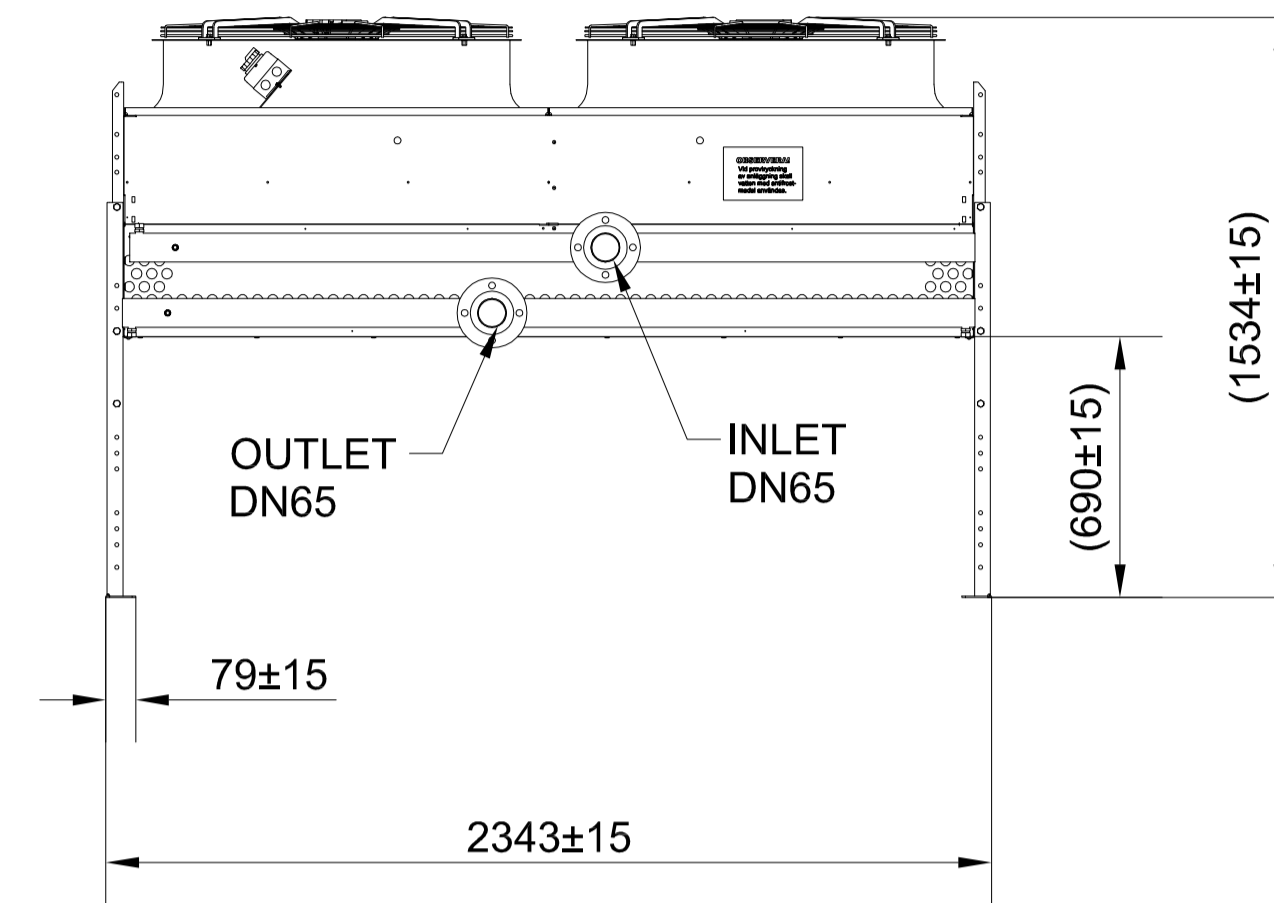
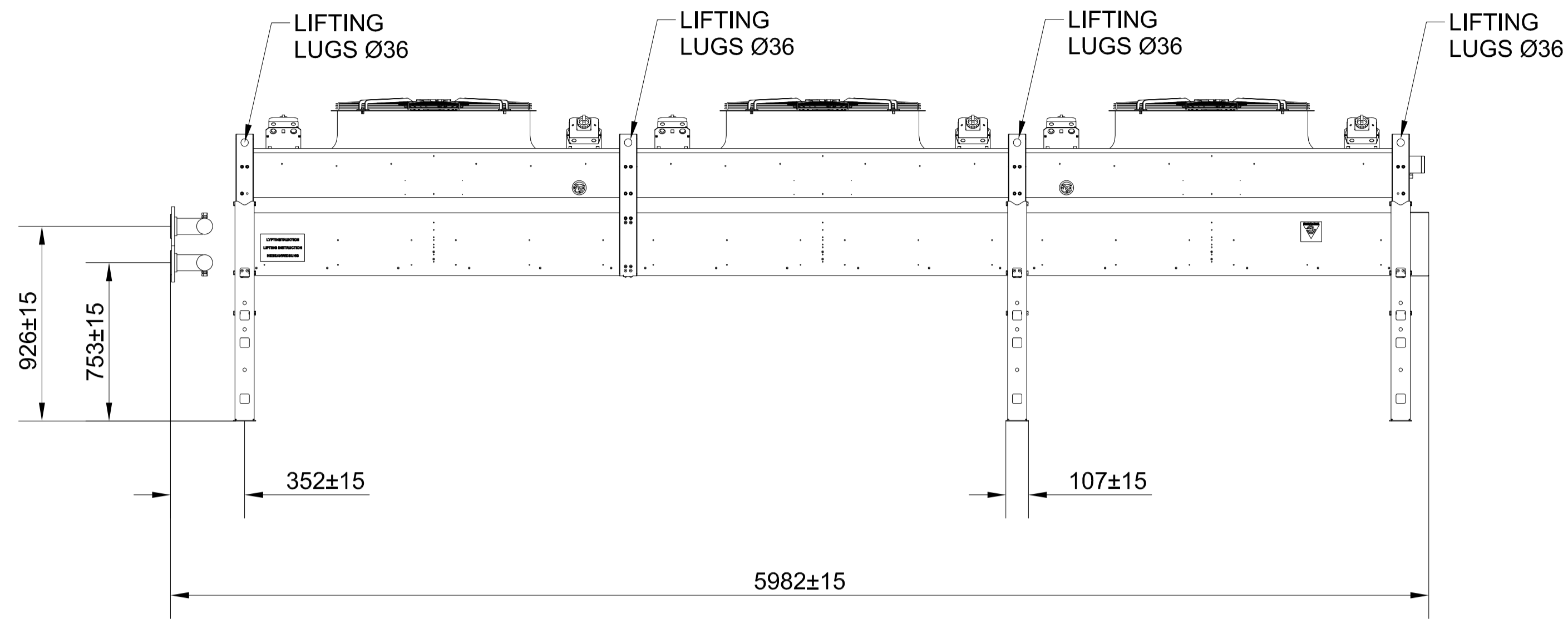
Drawing refers to Fan Unit for Qvantum LB series Heat Pumps.

MODEL RANGE
Fan Unit for Qvantum Q192LB4.

CONNECTION PLACEMENT
Left side connection.

CONNECTION SIZES
OUTLET: DN65
INLET: DN65

All measurements in millimeter.
All measurements with ±15 mm tolerance.



REV	REVISION TYPE	DATE	SIGN
PHASE	MEASUREMENT DRAWING		

Fan Unit for Q192LB4

QVANTUM ENERGI AB
Ringugnsgatan 12
216 16 Limhamn, Sweden
www.quantum.com



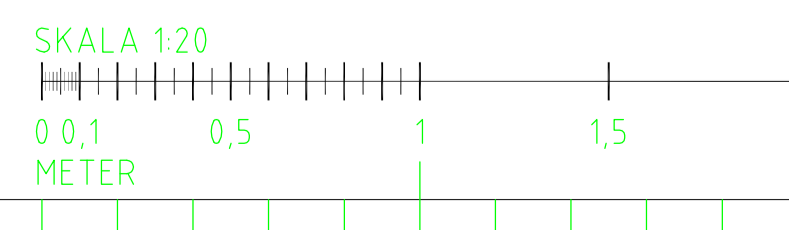
A	XXX	phone XXX-XXX	fax XXX-XXX
K	XXX	phone XXX-XXX	fax XXX-XXX
E	XXX	phone XXX-XXX	fax XXX-XXX
V	XXX	phone XXX-XXX	fax XXX-XXX
SPR	XXX	phone XXX-XXX	fax XXX-XXX
BR	XXX	phone XXX-XXX	fax XXX-XXX
M	XXX	phone XXX-XXX	fax XXX-XXX
HP	Quantum Energi AB	phone +46 10 332 00 50	fax XXX-XXX

PROJECT NUMBER	DRAWN BY	MANAGED BY
-	J.E.	J.E.

DATE	APPROVED BY
2023-05-04	J.E.

QVANTUM ENERGI AB
FAN UNIT FOR QVANTUM Q192LB4
MEASUREMENT DRAWING

SCALE	DRAWING NUMBER	REV
1:20 (A1)	Q-LB4-192-FU-001	
1:40 (A3)		



Subject to possible printing errors.

LAGER: SB11

P.L.O. 2023-05-04 19:52 J:\QVANTUM\01\INTERNTUS\RINGUGNSGATAN\SERIE LB4.DWG JONAS