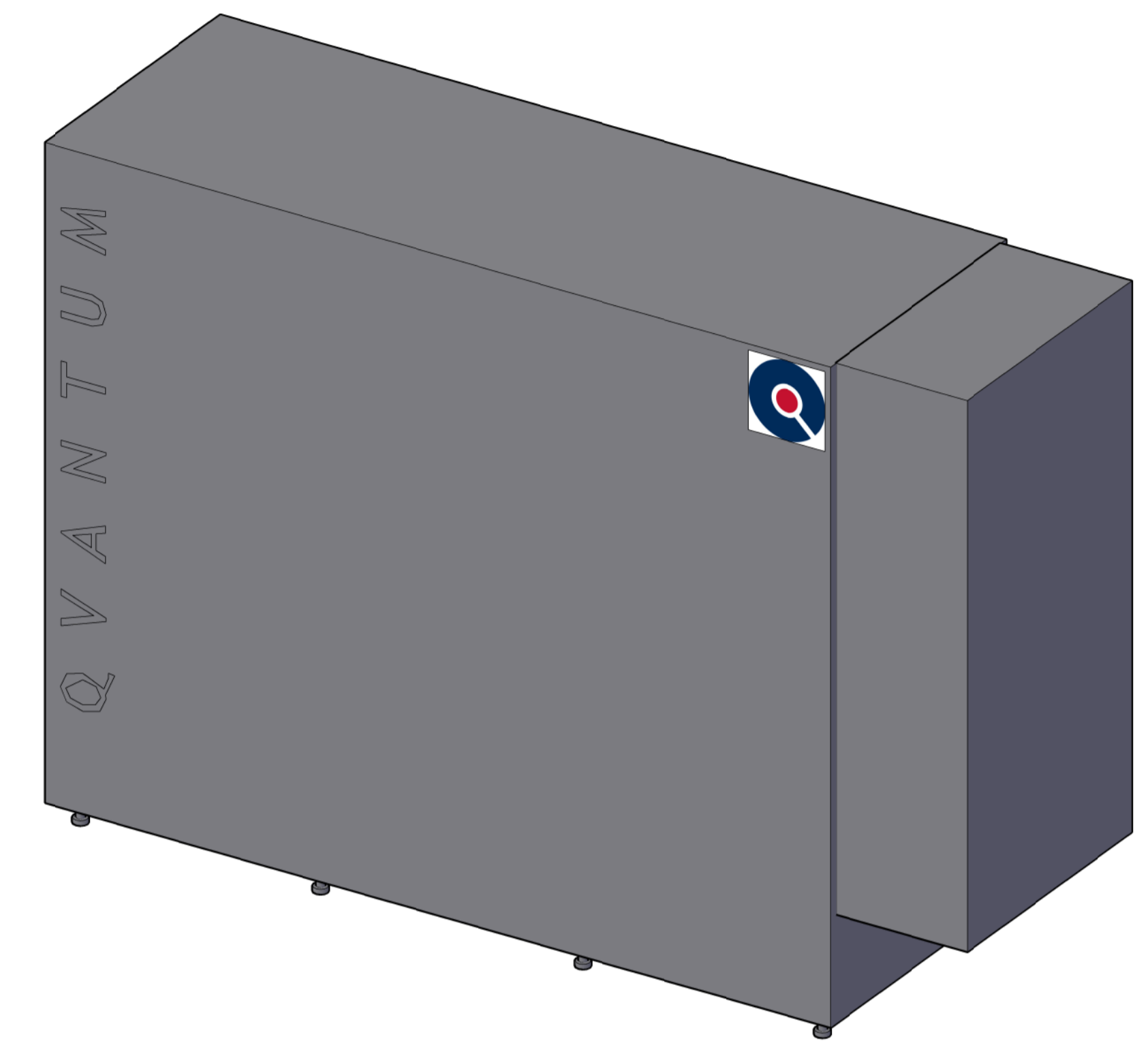


ISO, SE VIEW



QVANTUM HEAT PUMPS

Drawing refers to Qvantum RS/2 Heat Pumps.

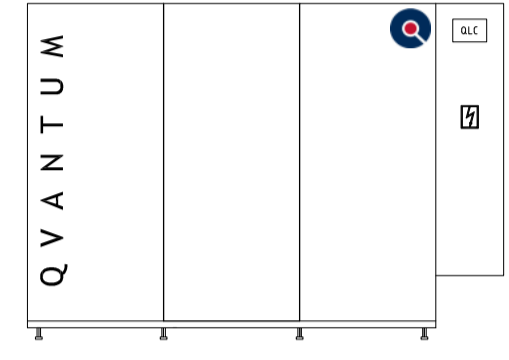
MODEL RANGE  
Q162RS/2 to Q192RS/2.

CONNECTION PLACEMENT  
Back side connection.

CONNECTION SIZES  
Q162RS/2 and Q192RS/2  
Condensor - DN65 ext thread  
Evaporator - DN65 ext thread

INLET & OUTLET

- 1. Evaporator Inlet
- 2. Evaporator Outlet
- 3. Condensor Outlet
- 4. Condensor Inlet



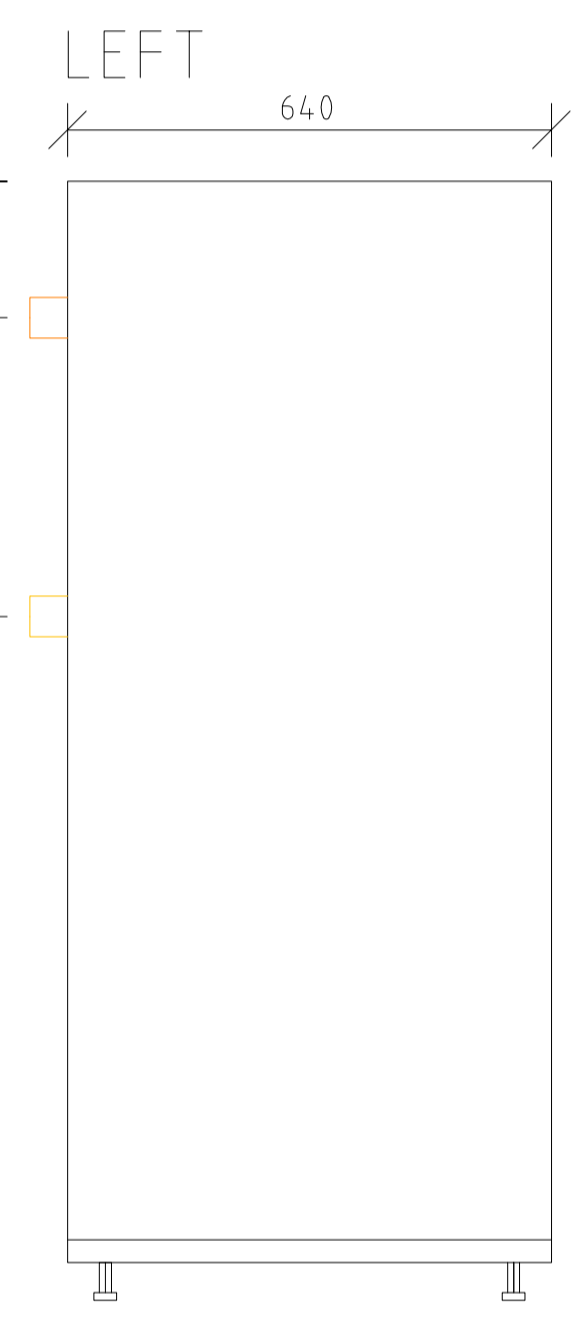
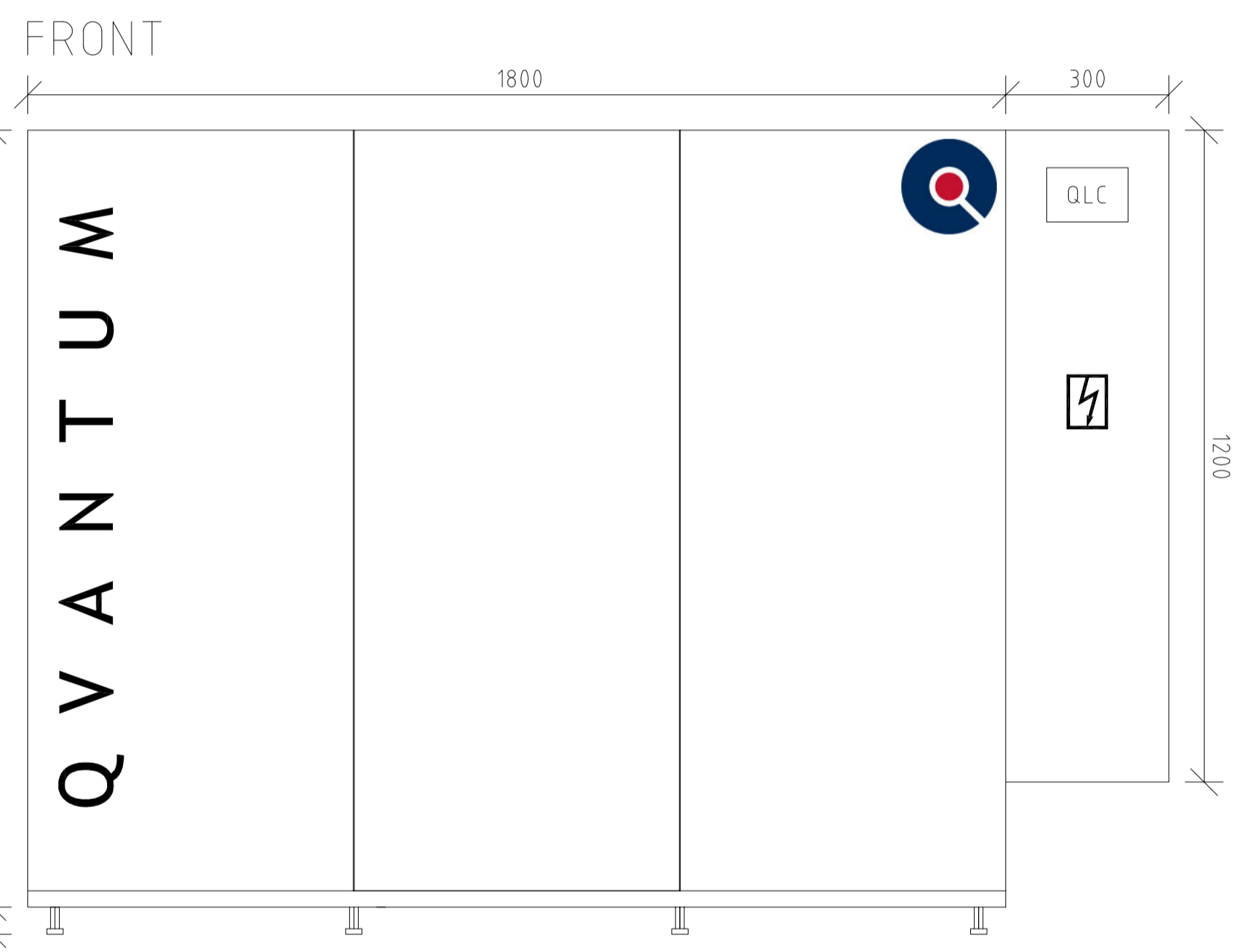
Power Supply.

Electric Cabinet can be placed on either side.

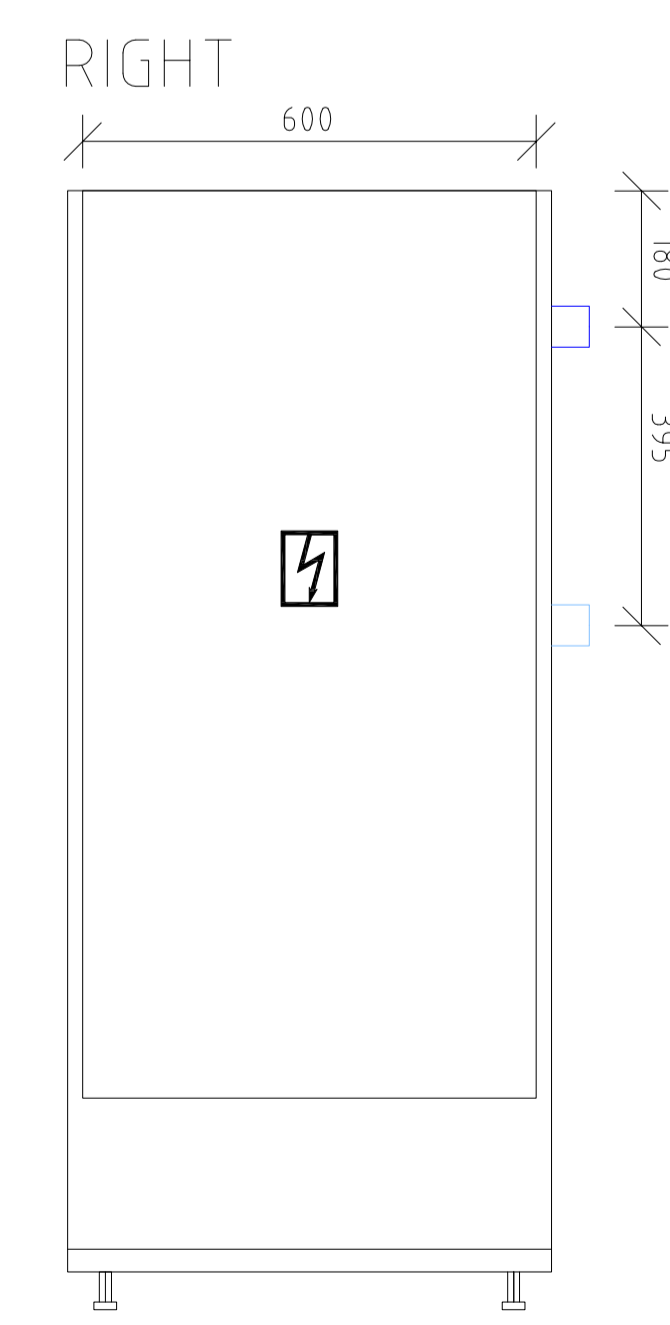
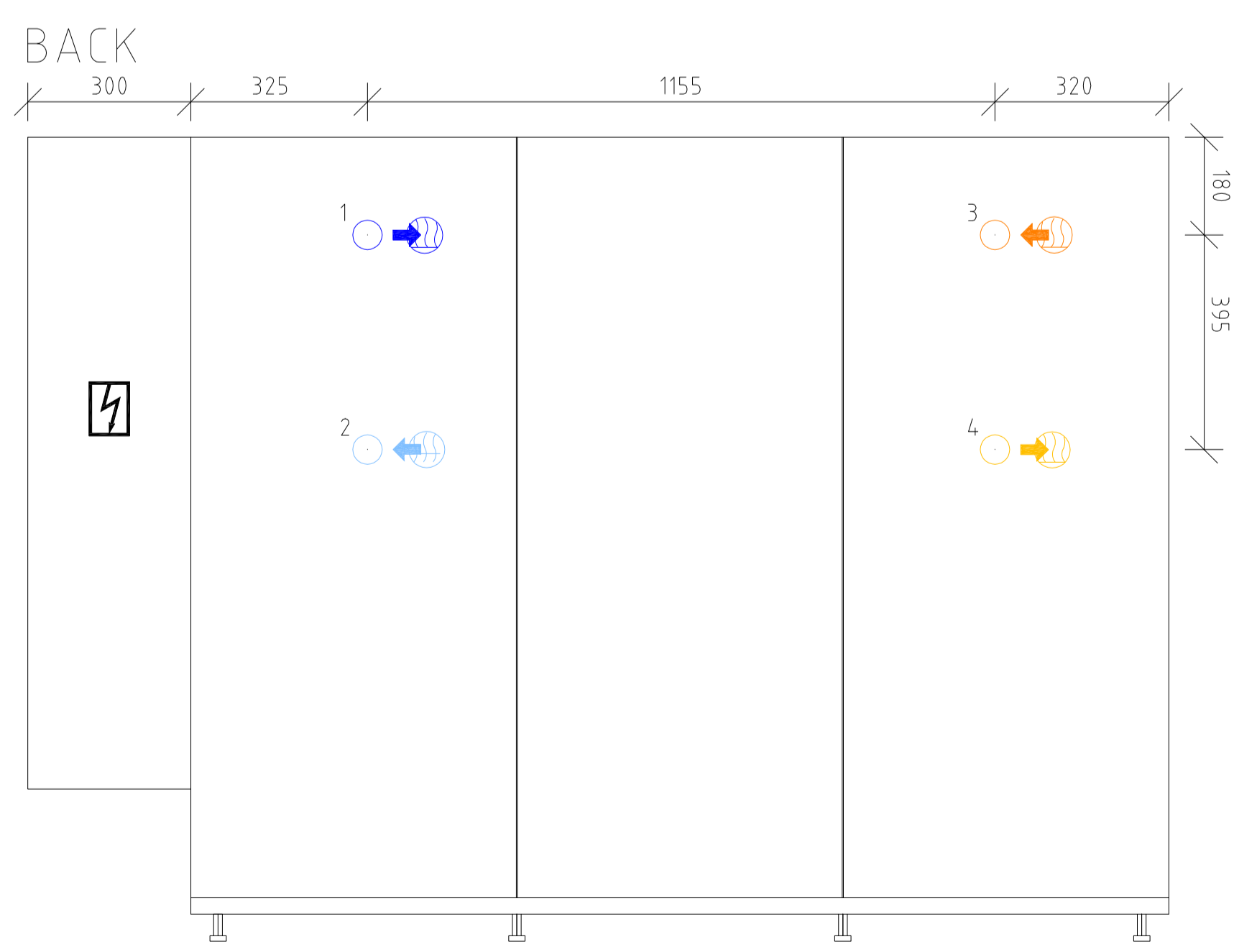
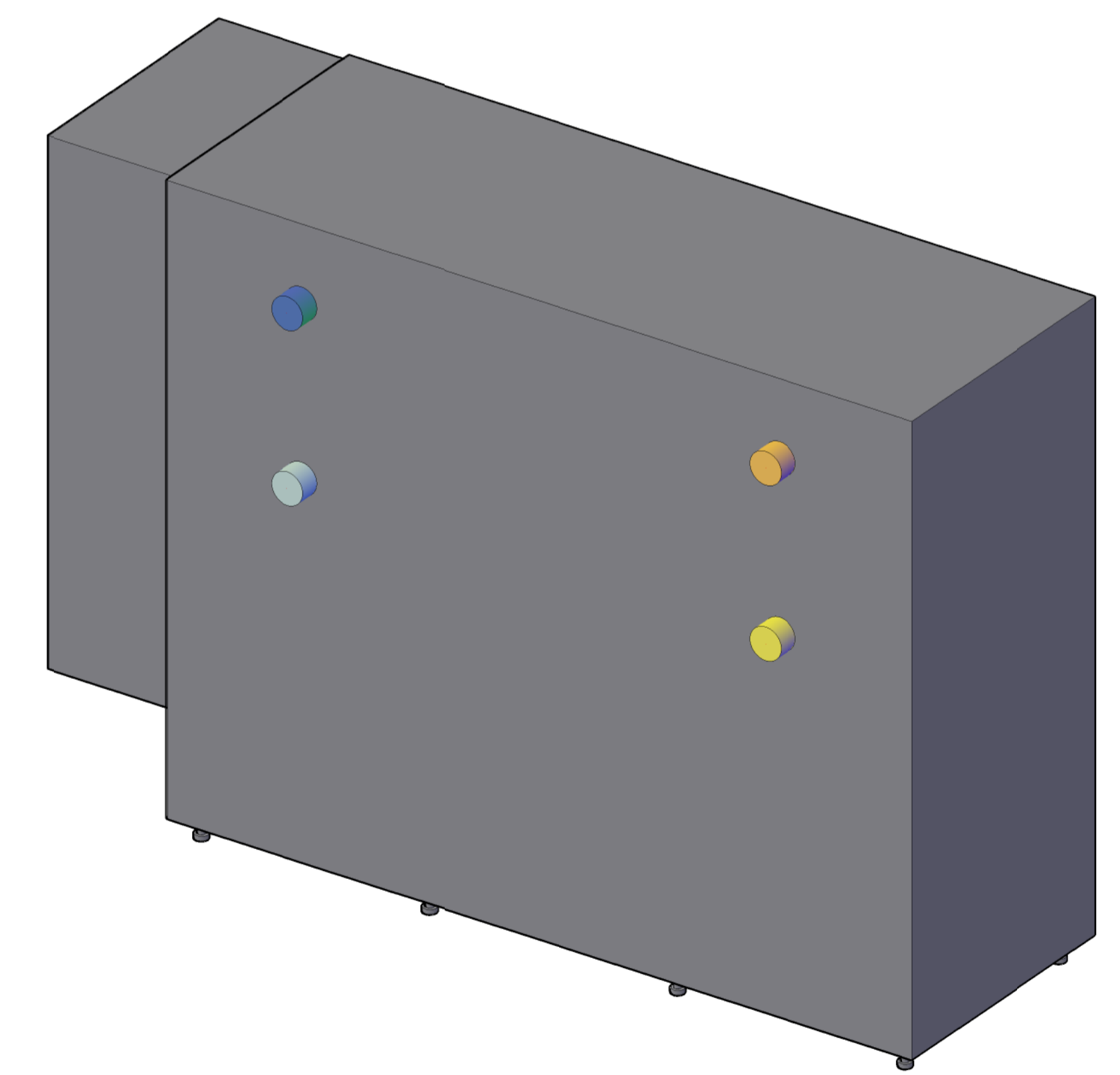
All components inside heat pump are available from front.

All measurements in millimeter.

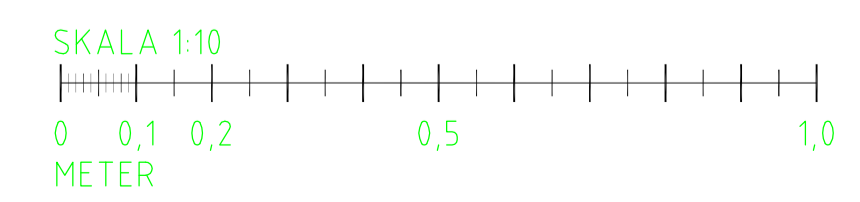
All measurements with ±5 mm tolerance.



ISO, NW VIEW



REV	REVISION TYPE	DATE	SIGN
PHASE			
MEASUREMENT DRAWING			
RS SERIES Q162RS/2 to Q192RS/2			
QVANTUM ENERGI AB Ringugnsgatan 12 216 16 Limhamn, Sweden <a href="http://www.qvantum.com">www.qvantum.com</a>			
A	XXX	phone XXX-XXXX	fax XXX-XXXX
K	XXX	phone XXX-XXXX	fax XXX-XXXX
E	XXX	phone XXX-XXXX	fax XXX-XXXX
V	XXX	phone XXX-XXXX	fax XXX-XXXX
SPR	XXX	phone XXX-XXXX	fax XXX-XXXX
BR	XXX	phone XXX-XXXX	fax XXX-XXXX
M	XXX	phone XXX-XXXX	fax XXX-XXXX
HP	Qvantum Energi AB	phone +46(0)40-15 10 44	fax XXX-XXXX
PROJECT NUMBER		DRAWN BY	
-		J.E.	
DATE		MANAGED BY	
2022-11-10		J.E.	
APPROVED BY		DATE	
L.B.		2022-11-10	
QVANTUM ENERGI AB RS SERIES HEAT PUMPS MEASUREMENT DRAWING			
SCALE	DRAWING NUMBER		REV
1:10 (A1) 1:20 (A3)	Q-RS2-162-192-001		



# QVANTUM HEAT PUMPS

Drawing refers to Fan Unit for Qvantum KVP series Heat Pumps.

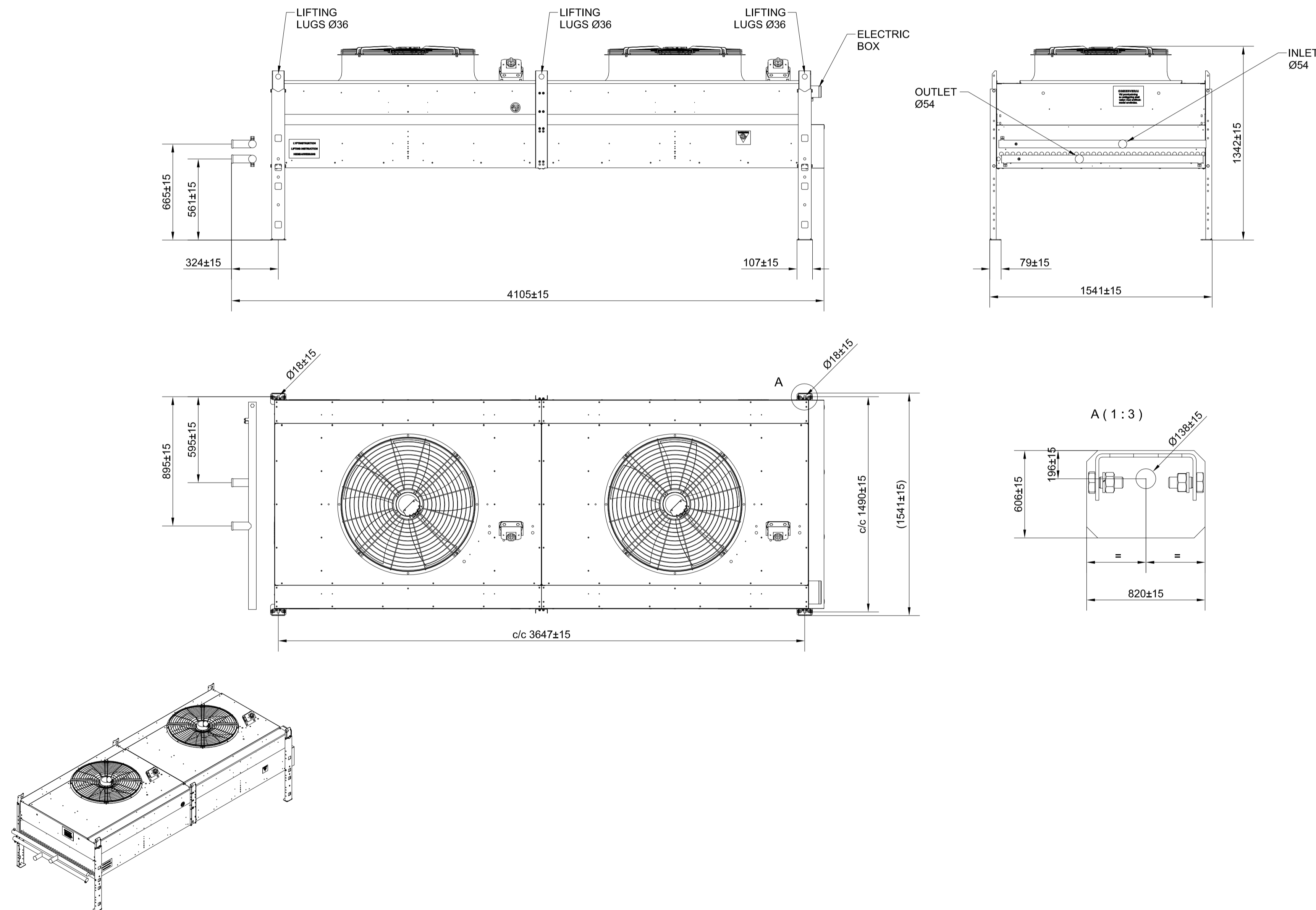
**MODEL RANGE**  
Fan Unit for Qvantum Q65KVP and Q81KVP.

**CONNECTION PLACEMENT**  
Left side connection.

**CONNECTION SIZES**  
OUTLET: Cu 54.0  
INLET: Cu 54.0

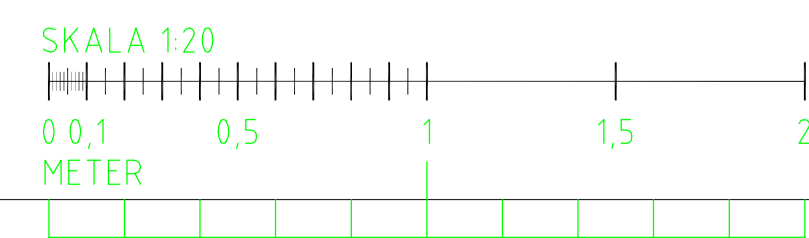
All measurements in millimeter.

All measurements with ±15 mm tolerance.



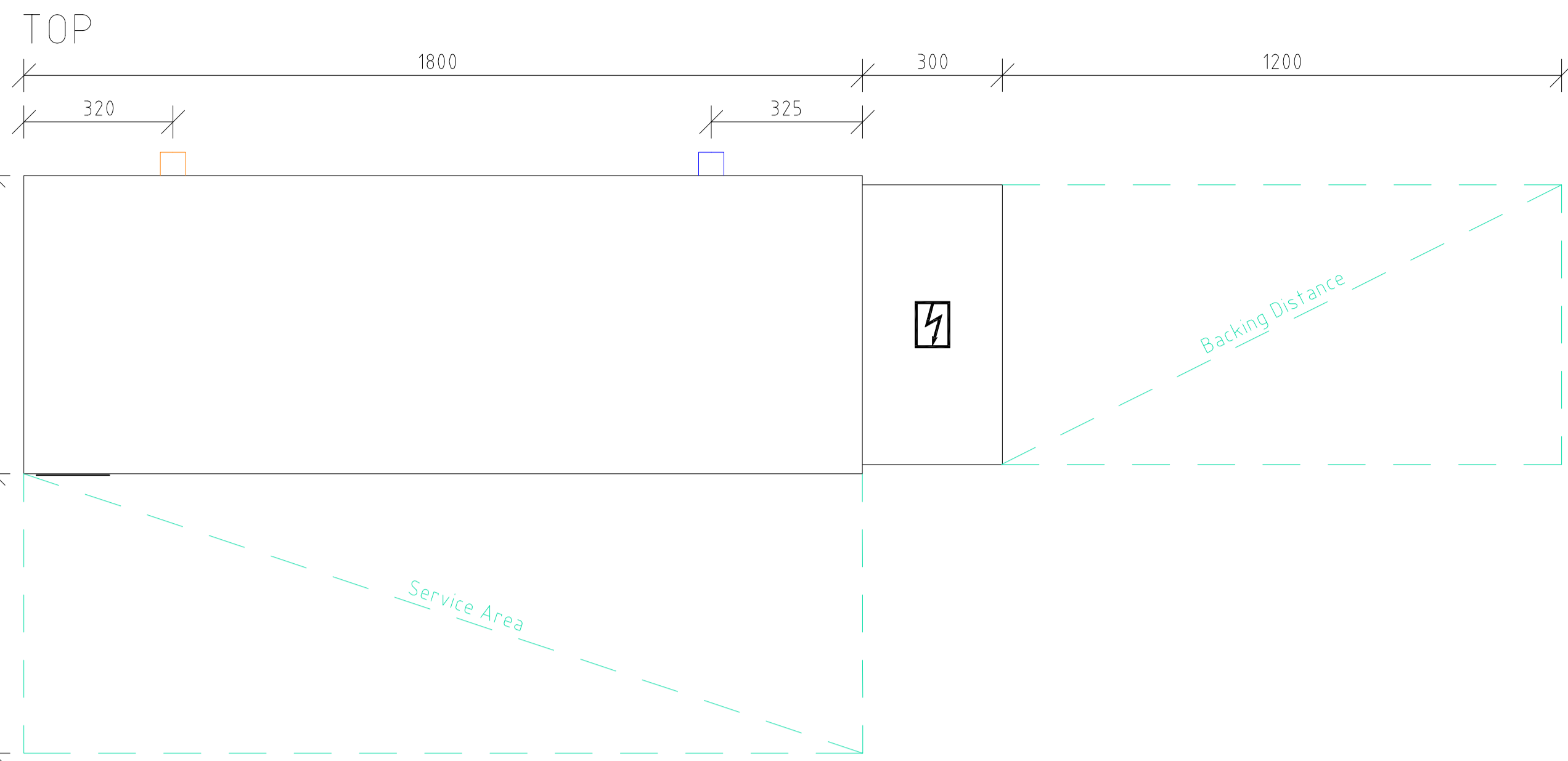
Subject to possible printing errors.

LAGER: SB11

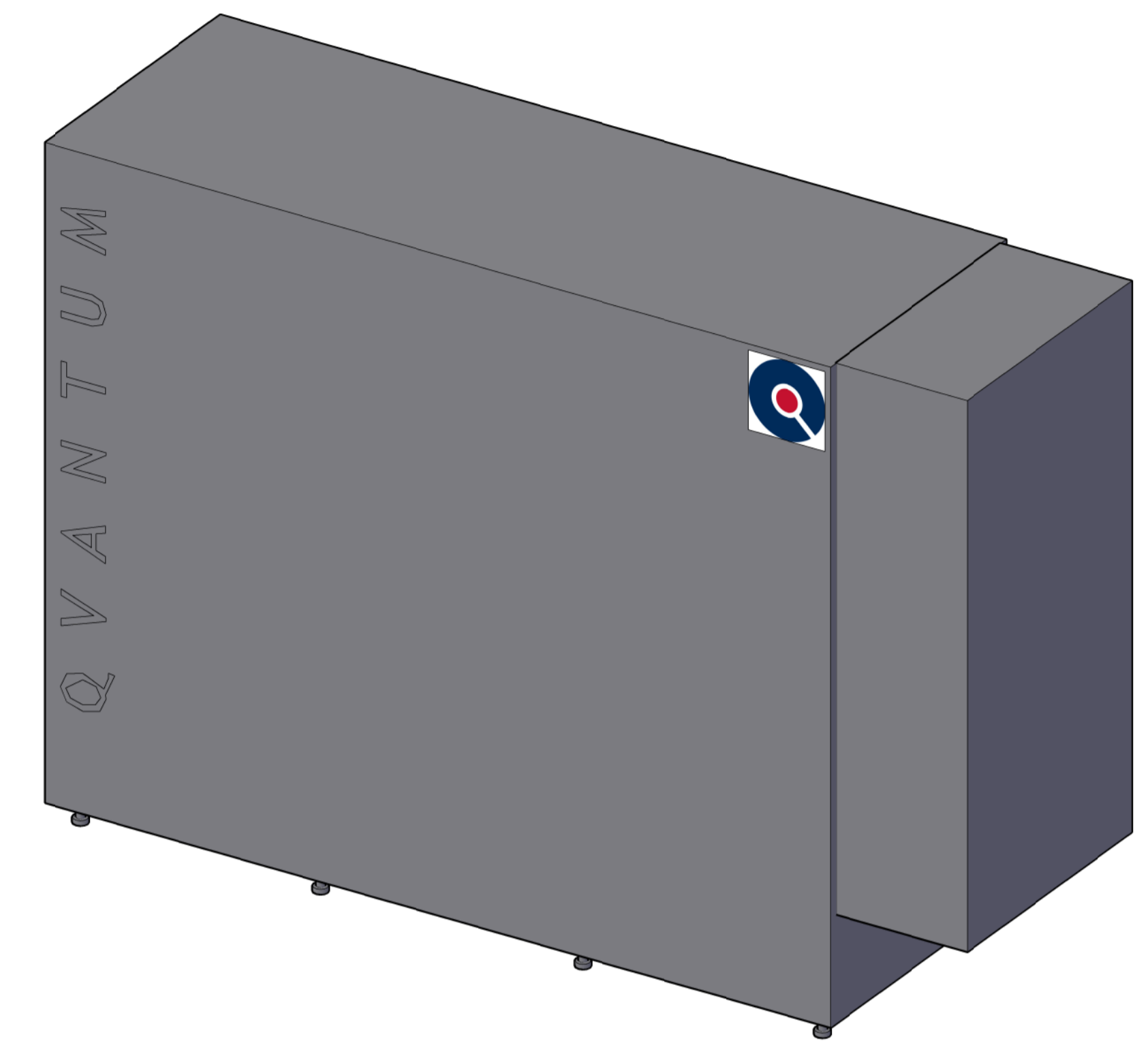


REV	REVISION TYPE	DATE	SIGN
PHASE MEASUREMENT DRAWING			
Fan Unit for Q65KVP & Q81KVP			
QVANTUM ENERGI AB Ringugnsgatan 12 216 16 Limhamn, Sweden <a href="http://www.qvantum.com">www.qvantum.com</a>			
A	XXX	phone XXX-XXXX	fax XXX-XXXX
K	XXX	phone XXX-XXXX	fax XXX-XXXX
E	XXX	phone XXX-XXXX	fax XXX-XXXX
V	XXX	phone XXX-XXXX	fax XXX-XXXX
SPR	XXX	phone XXX-XXXX	fax XXX-XXXX
BR	XXX	phone XXX-XXXX	fax XXX-XXXX
M	XXX	phone XXX-XXXX	fax XXX-XXXX
HP	Qvantum Energi AB	phone +46 10 332 00 50	fax XXX-XXXX
PROJECT NUMBER		DRAWN BY	MANAGED BY
-		J.E.	J.E.
DATE		APPROVED BY	
2023-05-04		J.E.	
QVANTUM ENERGI AB			
FAN UNIT FOR QVANTUM Q65KVP and Q81KVP			
MEASUREMENT DRAWING			
SCALE	DRAWING NUMBER	REV	
1:20 (A1) 1:40 (A3)	Q-KVP-65-81-FU-001		

PLO: 2023-05-04\_20:03 J:\QVANTUM\INTEKNT\05-RINGUGN\KVP\MOD\SERIE KVP\DWG JONAS



ISO, SE VIEW



QVANTUM HEAT PUMPS

Drawing refers to Qvantum RS/2 Heat Pumps.

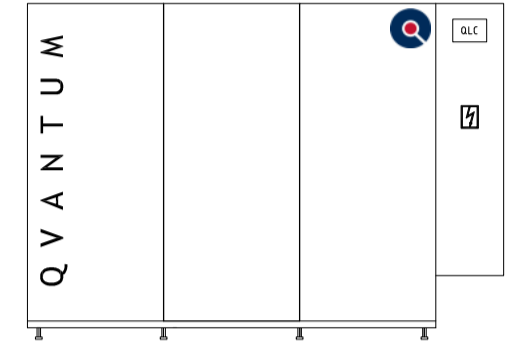
MODEL RANGE  
Q162RS/2 to Q192RS/2.

CONNECTION PLACEMENT  
Back side connection.

CONNECTION SIZES  
Q162RS/2 and Q192RS/2  
Condensor - DN65 ext thread  
Evaporator - DN65 ext thread

INLET & OUTLET

- 1. Evaporator Inlet
- 2. Evaporator Outlet
- 3. Condensor Outlet
- 4. Condensor Inlet



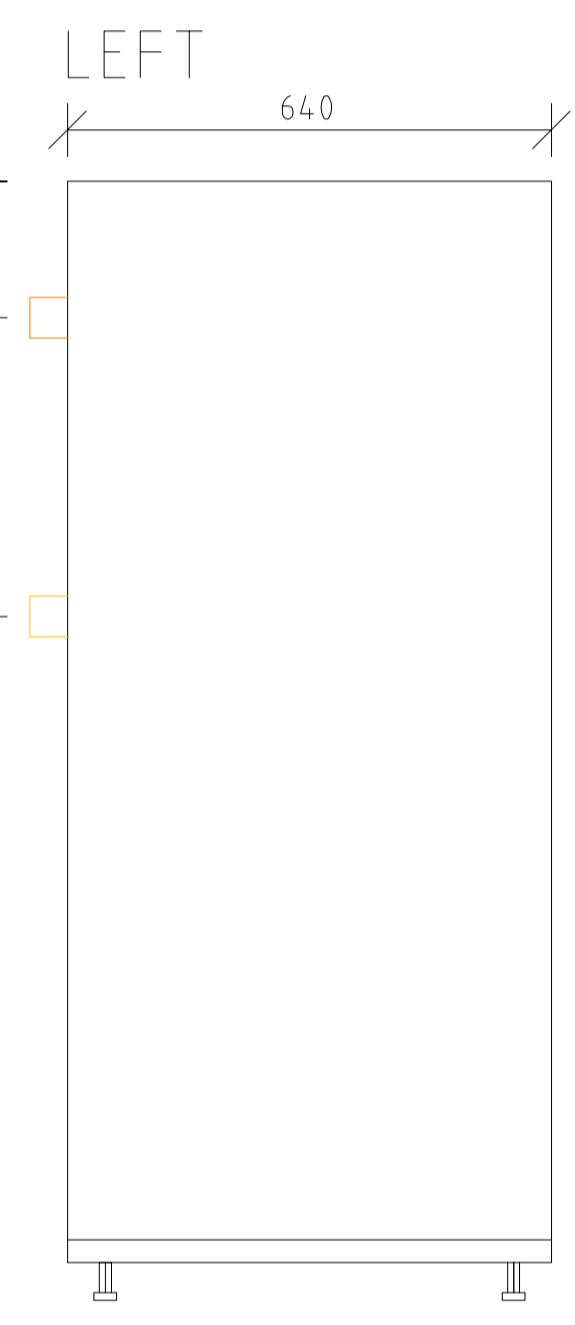
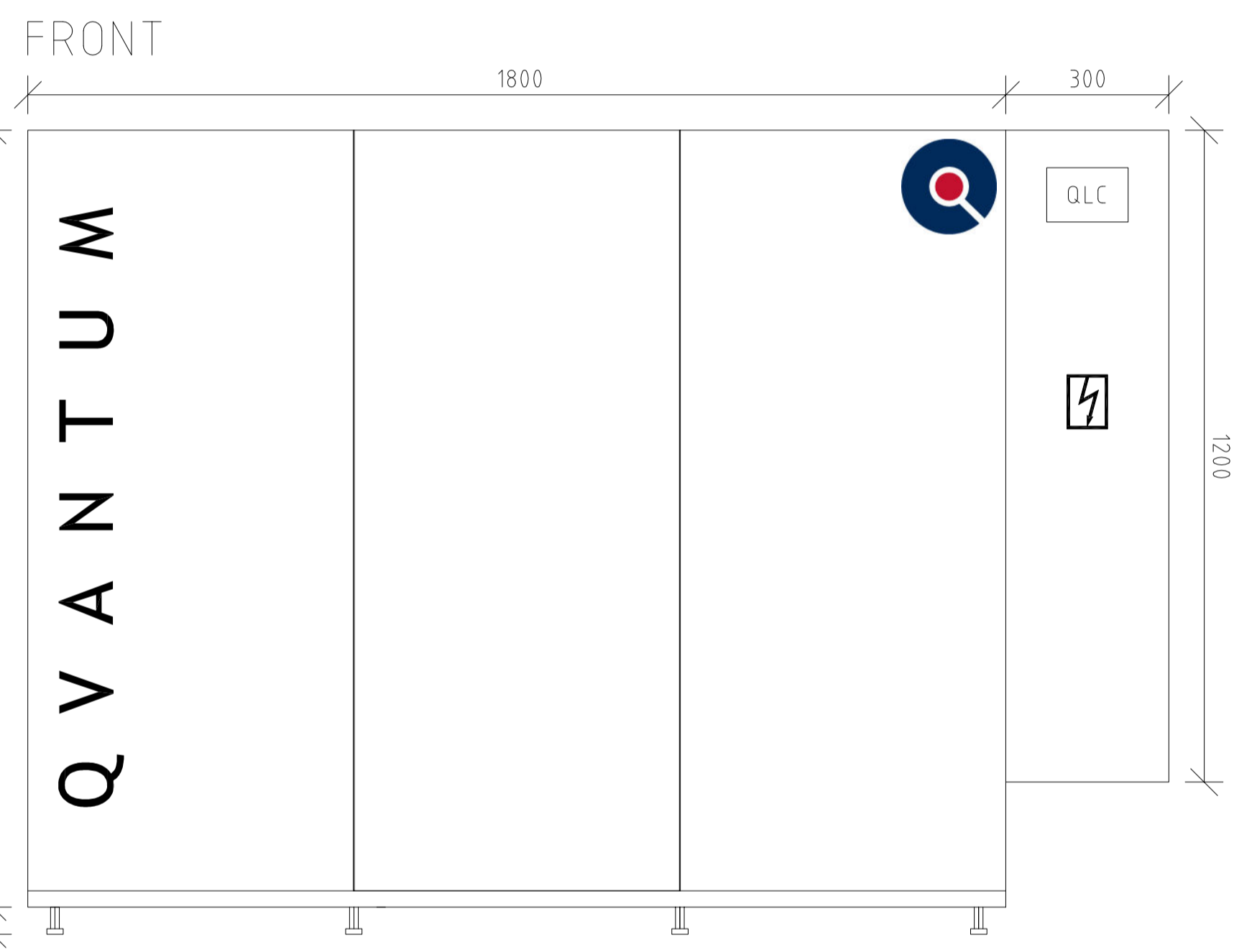
Power Supply.

Electric Cabinet can be placed on either side.

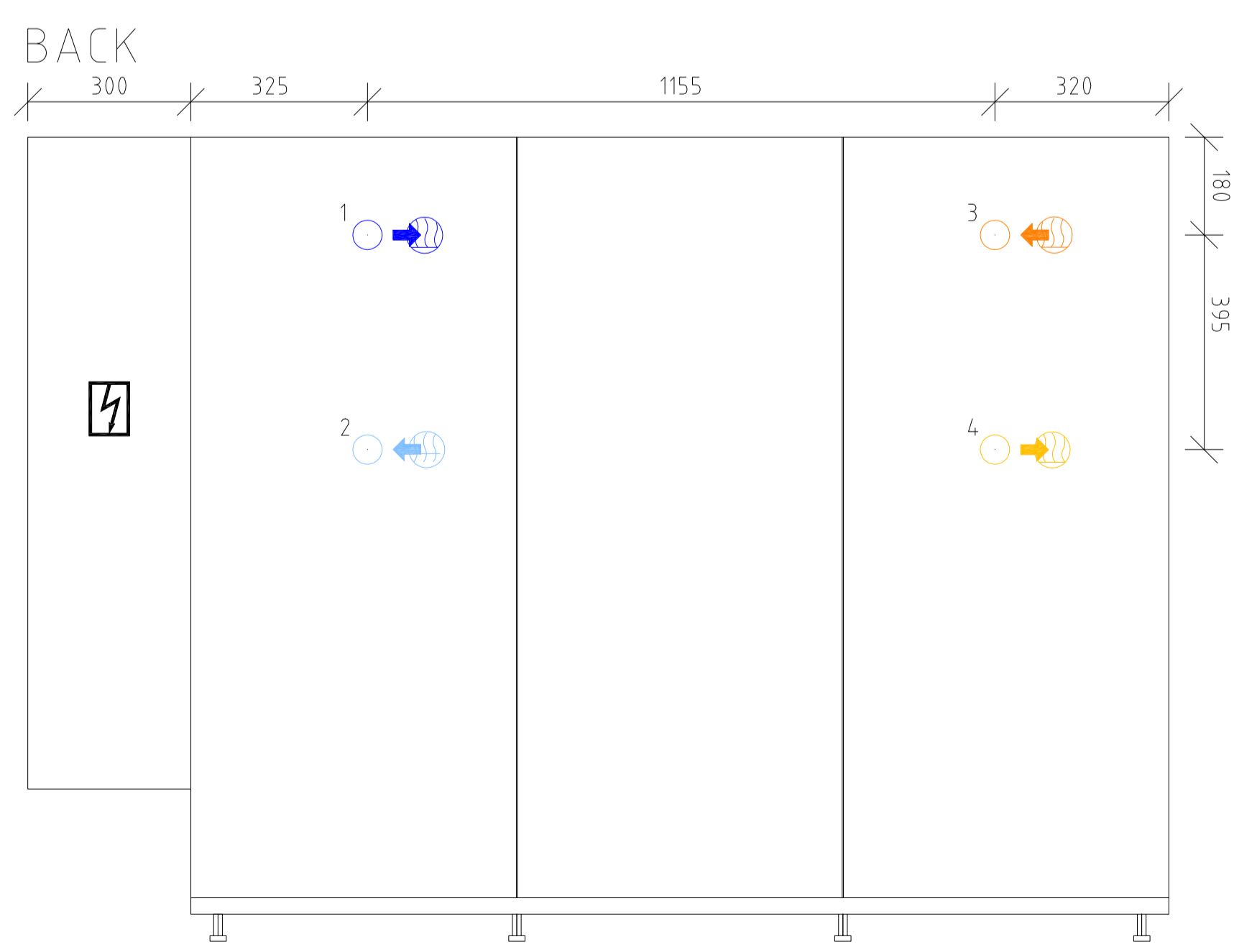
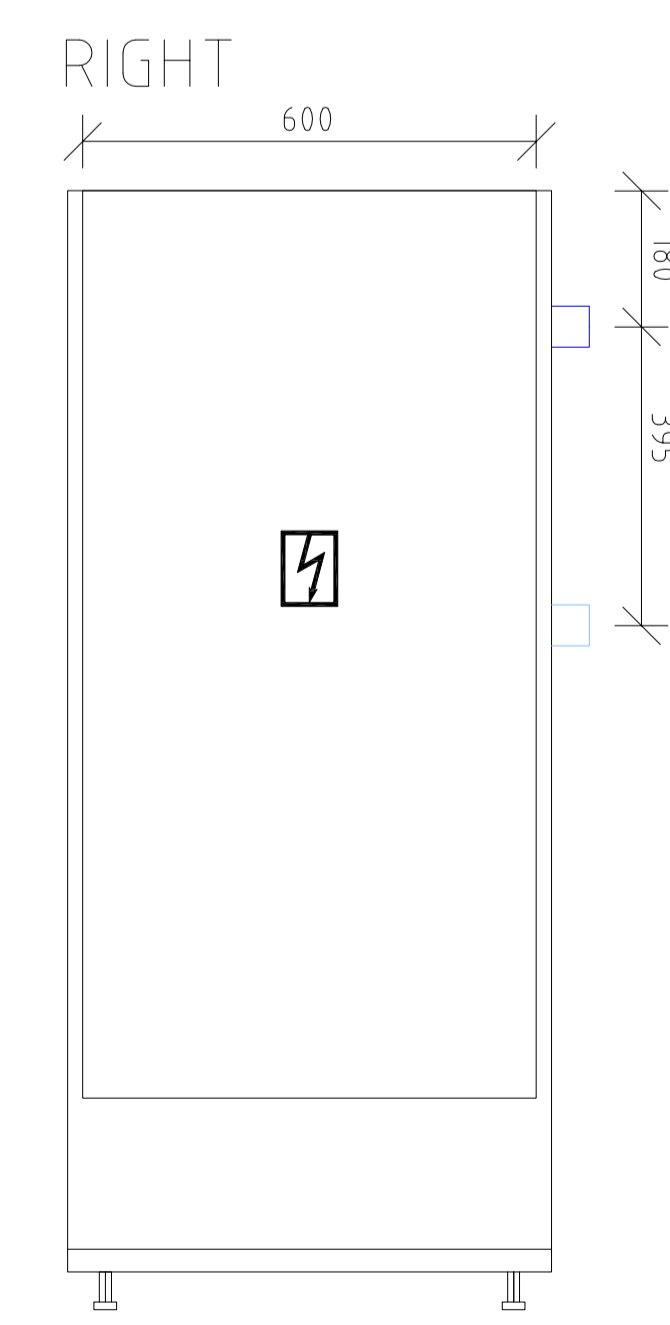
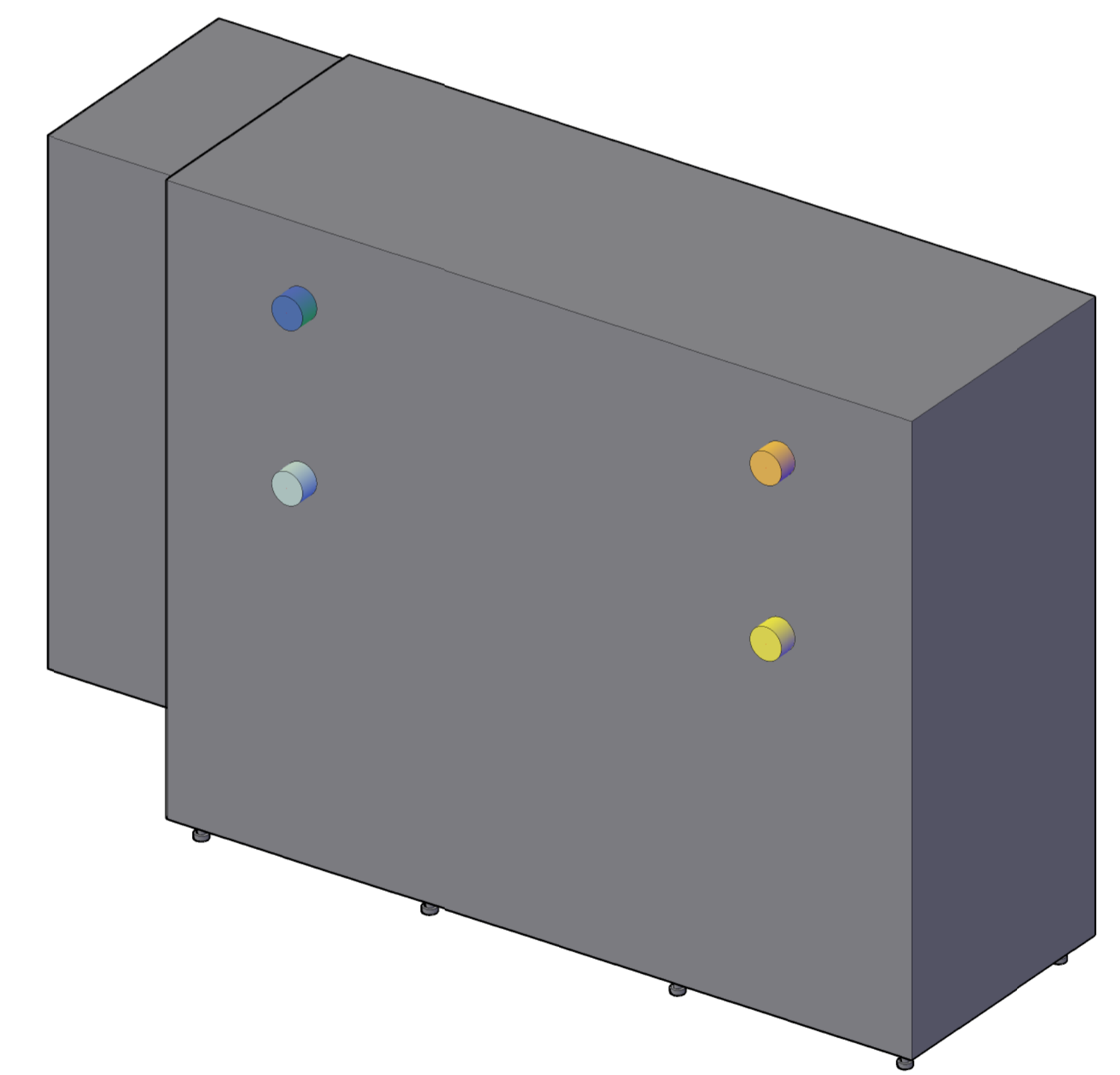
All components inside heat pump are available from front.

All measurements in millimeter.

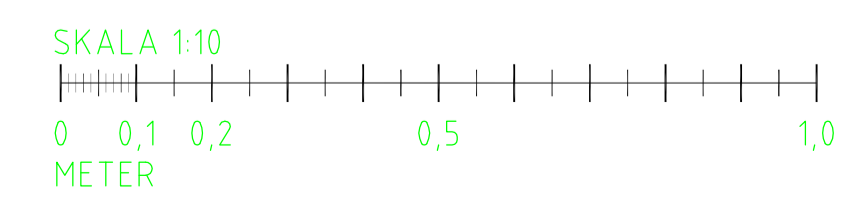
All measurements with ±5 mm tolerance.



ISO, NW VIEW



REV	REVISION TYPE	DATE	SIGN
PHASE			
MEASUREMENT DRAWING			
RS SERIES Q162RS/2 to Q192RS/2			
QVANTUM ENERGI AB Ringugnsgatan 12 216 16 Limhamn, Sweden <a href="http://www.qvantum.com">www.qvantum.com</a>			
A	XXX	phone XXX-XXXX	fax XXX-XXXX
K	XXX	phone XXX-XXXX	fax XXX-XXXX
E	XXX	phone XXX-XXXX	fax XXX-XXXX
V	XXX	phone XXX-XXXX	fax XXX-XXXX
SPR	XXX	phone XXX-XXXX	fax XXX-XXXX
BR	XXX	phone XXX-XXXX	fax XXX-XXXX
M	XXX	phone XXX-XXXX	fax XXX-XXXX
HP	Qvantum Energi AB	phone +46(0)40-15 10 44	fax XXX-XXXX
PROJECT NUMBER		DRAWN BY	MANAGED BY
-		J.E.	J.E.
DATE		APPROVED BY	
2022-11-10		L.B.	
QVANTUM ENERGI AB RS SERIES HEAT PUMPS MEASUREMENT DRAWING			
SCALE	DRAWING NUMBER		REV
1:10 (A1) 1:20 (A3)	Q-RS2-162-192-001		



Subject to possible printing errors.  
LAGER: SB11

# QVANTUM HEAT PUMPS

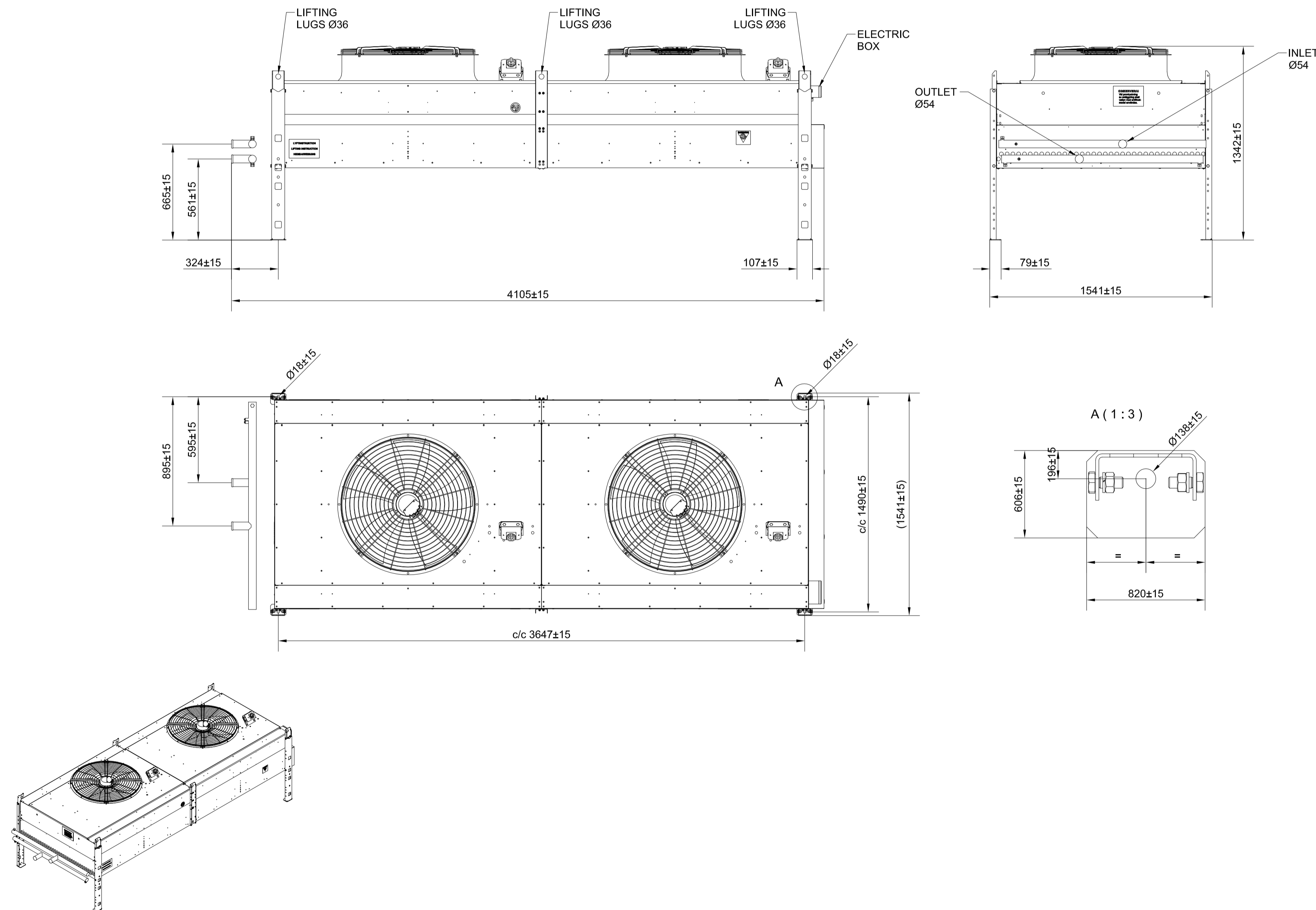
Drawing refers to Fan Unit for Qvantum KVP series Heat Pumps.

**MODEL RANGE**  
Fan Unit for Qvantum Q65KVP and Q81KVP.

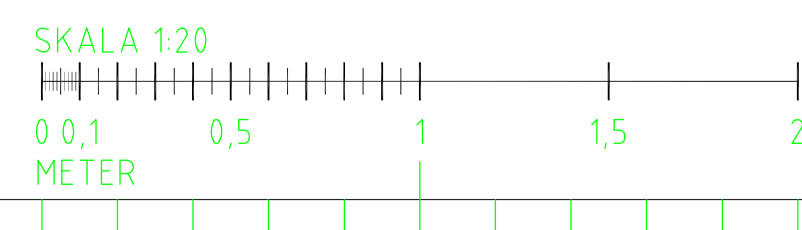
**CONNECTION PLACEMENT**  
Left side connection.

**CONNECTION SIZES**  
OUTLET: Cu 54.0  
INLET: Cu 54.0

All measurements in millimeter.  
All measurements with ±15 mm tolerance.



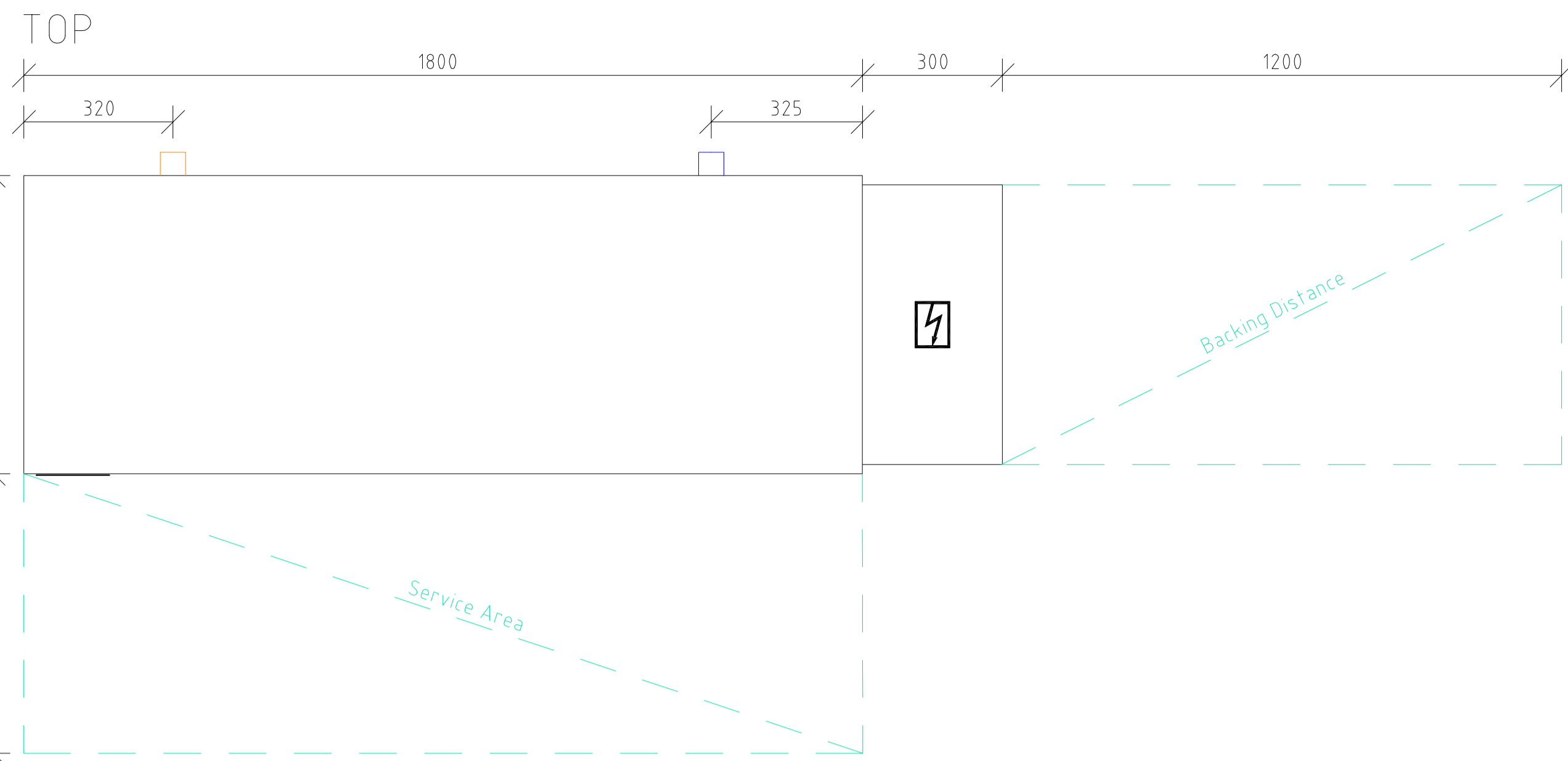
REV	REVISION TYPE	DATE	SIGN
PHASE MEASUREMENT DRAWING			
Fan Unit for Q65KVP & Q81KVP			
QVANTUM ENERGI AB Ringugnsgatan 12 216 16 Limhamn, Sweden <a href="http://www.qvantum.com">www.qvantum.com</a>			
A	XXX	phone XXX-XXXX	fax XXX-XXXX
K	XXX	phone XXX-XXXX	fax XXX-XXXX
E	XXX	phone XXX-XXXX	fax XXX-XXXX
V	XXX	phone XXX-XXXX	fax XXX-XXXX
SPR	XXX	phone XXX-XXXX	fax XXX-XXXX
BR	XXX	phone XXX-XXXX	fax XXX-XXXX
M	XXX	phone XXX-XXXX	fax XXX-XXXX
HP	Qvantum Energi AB	phone +46 10 332 00 50	fax XXX-XXXX
PROJECT NUMBER		DRAWN BY	MANAGED BY
-		J.E.	J.E.
DATE		APPROVED BY	
2023-05-04		J.E.	
QVANTUM ENERGI AB			
FAN UNIT FOR QVANTUM Q65KVP and Q81KVP			
MEASUREMENT DRAWING			
SCALE	DRAWING NUMBER	REV	
1:20 (A1) 1:40 (A3)	Q-KVP-65-81-FU-001		



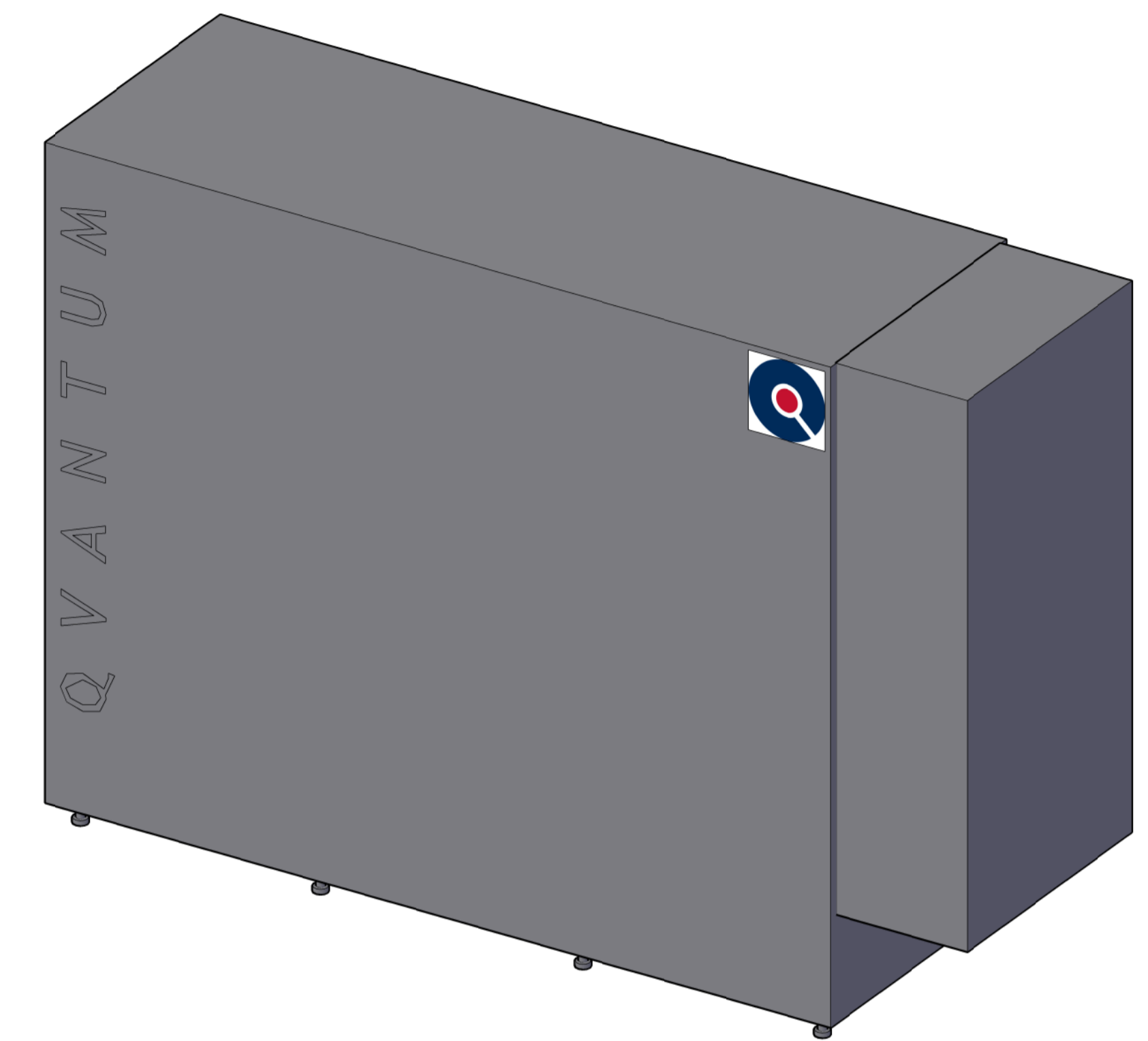
Subject to possible printing errors.

LAGER: SB11

PLO: 2023-05-04\_20:03 J:\QVANTUM\01\INTERNT\05\RINGUGN\MOD\SERIE KVP\DWG JONAS



ISO, SE VIEW



QVANTUM HEAT PUMPS

Drawing refers to Qvantum RS/2 Heat Pumps.

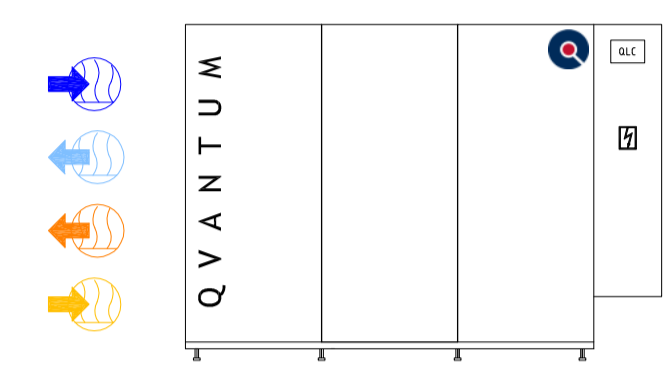
MODEL RANGE  
Q162RS/2 to Q192RS/2.

CONNECTION PLACEMENT  
Back side connection.

CONNECTION SIZES  
Q162RS/2 and Q192RS/2  
Condensor - DN65 ext thread  
Evaporator - DN65 ext thread

INLET & OUTLET

- 1. Evaporator Inlet
- 2. Evaporator Outlet
- 3. Condensor Outlet
- 4. Condensor Inlet



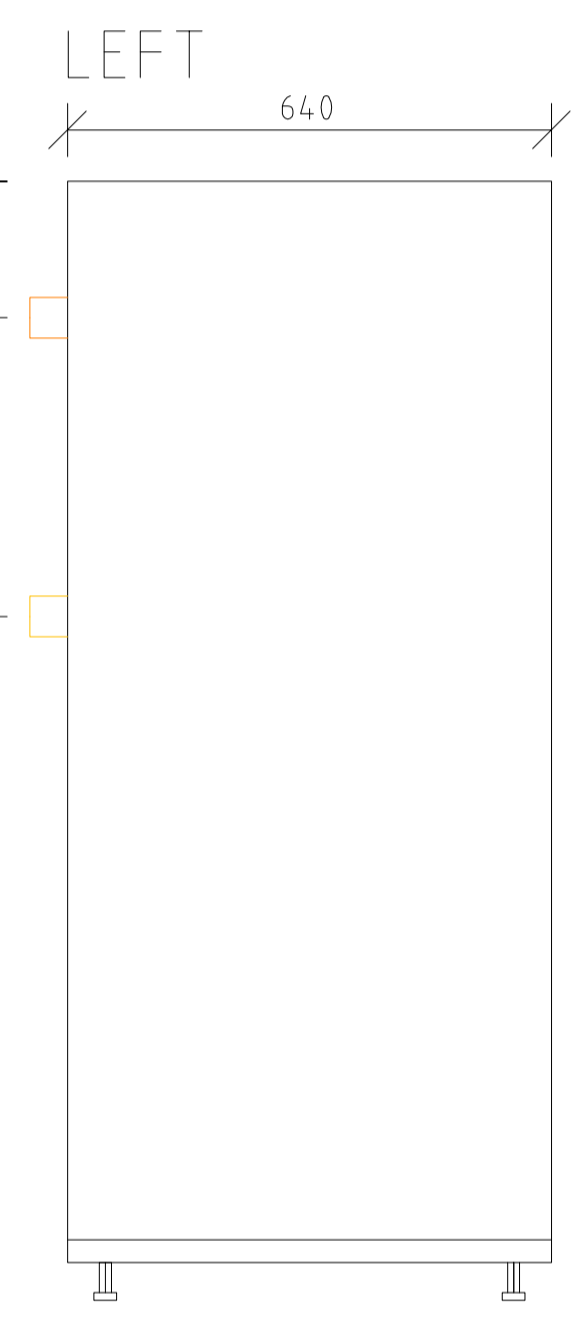
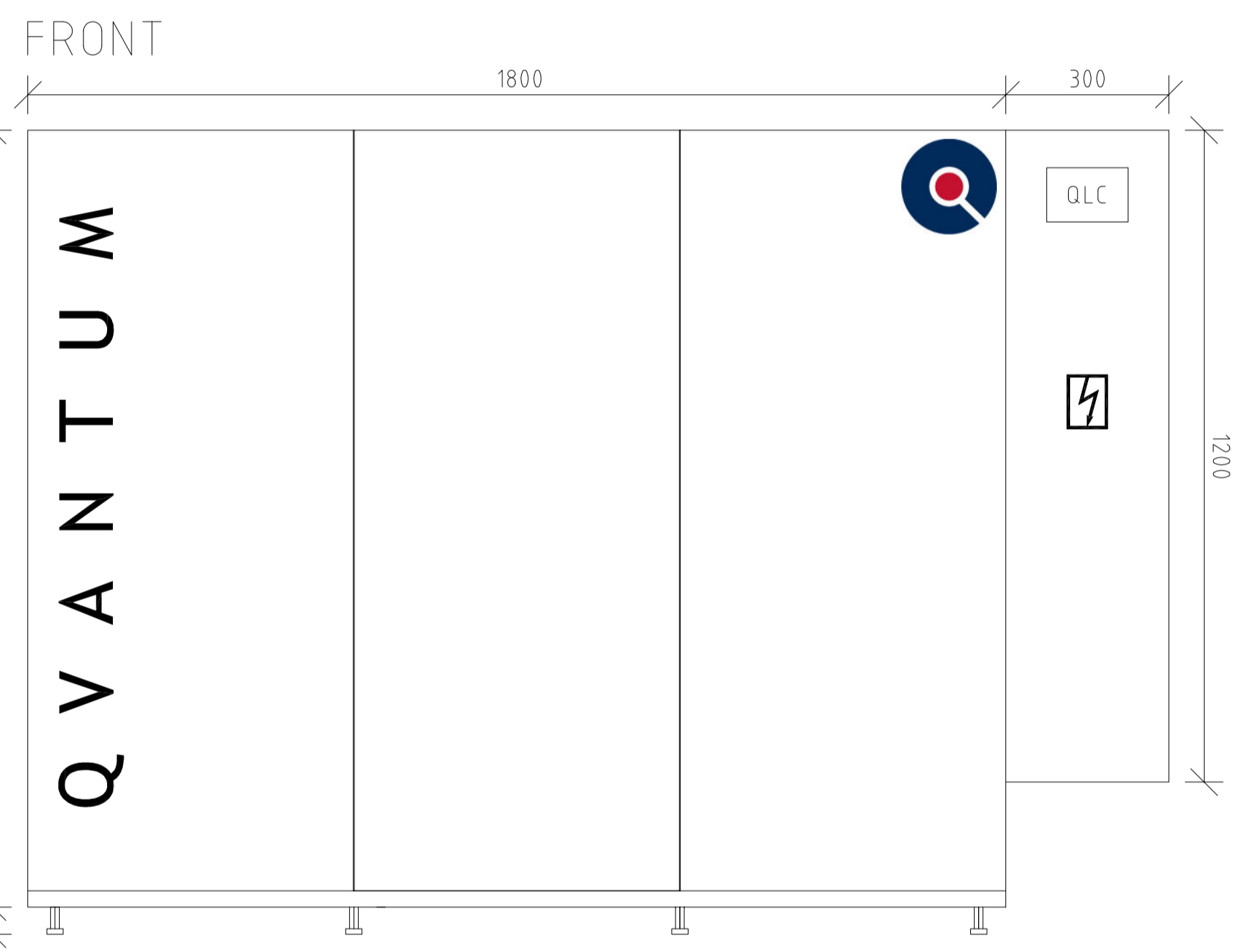
Power Supply.

Electric Cabinet can be placed on either side.

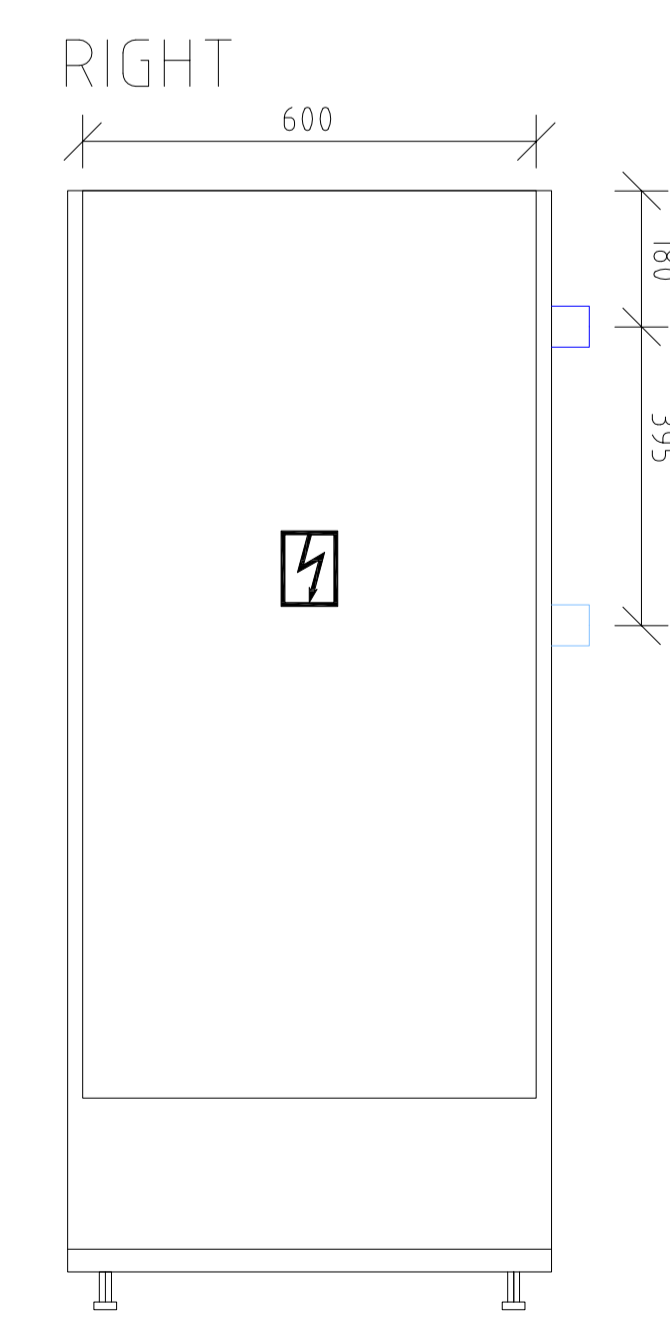
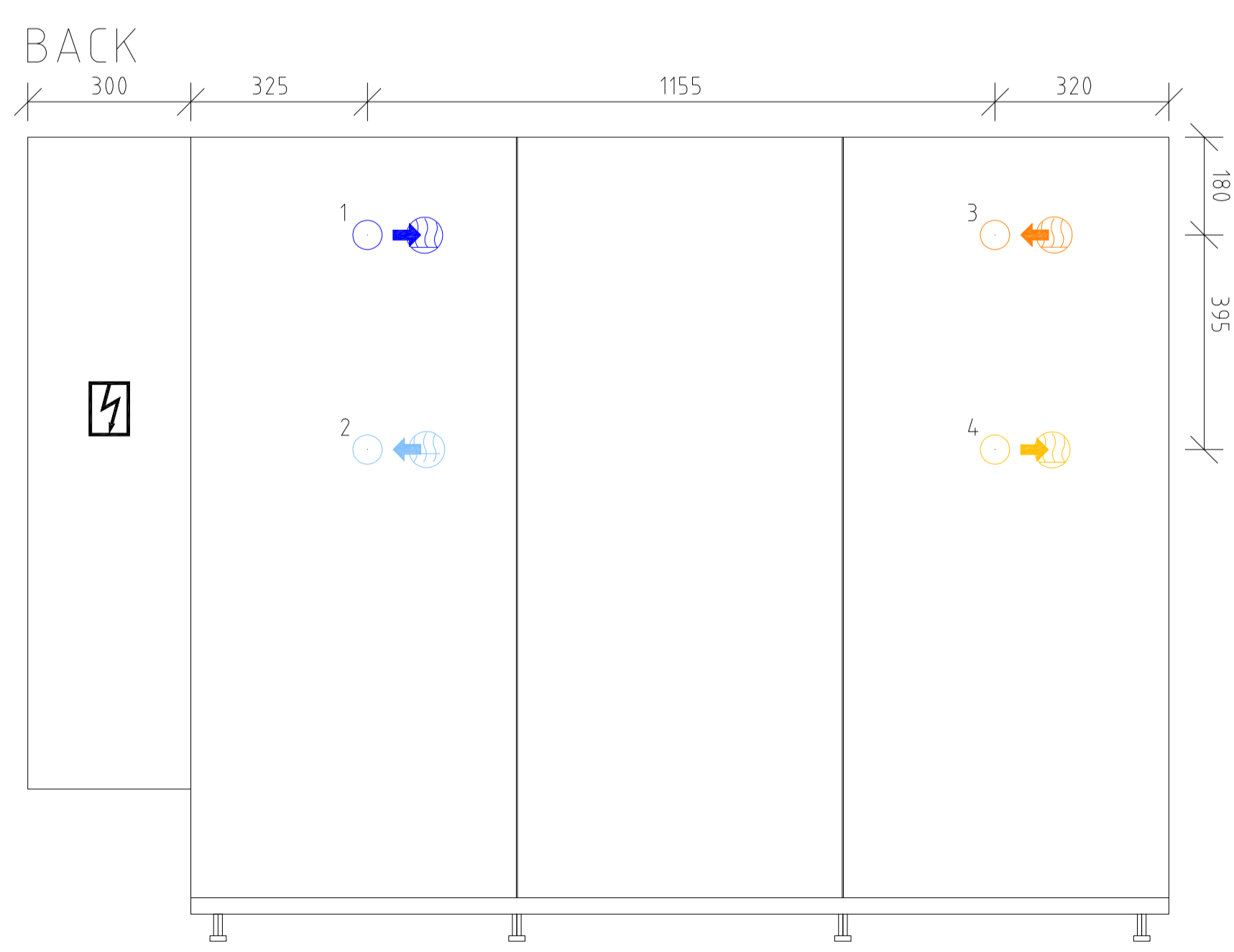
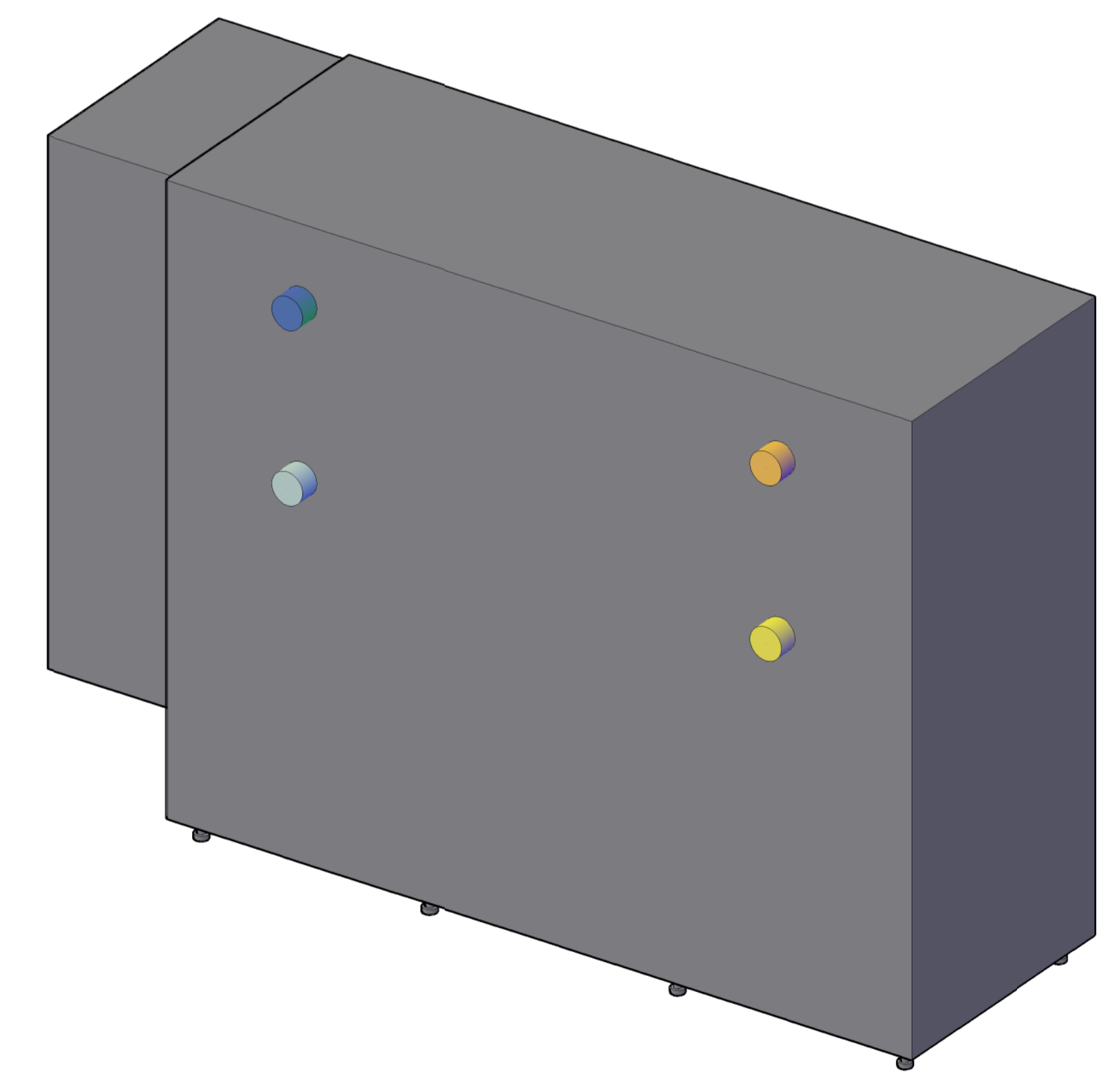
All components inside heat pump are available from front.

All measurements in millimeter.

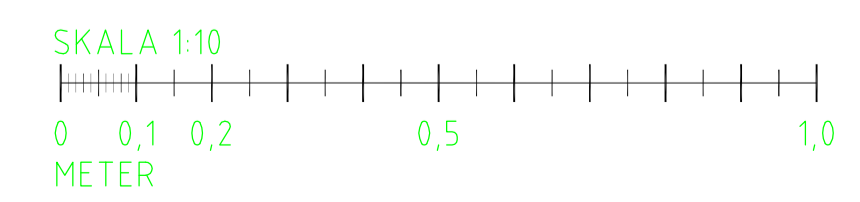
All measurements with ±5 mm tolerance.



ISO, NW VIEW



REV	REVISION TYPE	DATE	SIGN
PHASE			
MEASUREMENT DRAWING			
RS SERIES			
Q162RS/2 to Q192RS/2			
QVANTUM ENERGI AB Ringugnsgatan 12 216 16 Limhamn, Sweden <a href="http://www.qvantum.com">www.qvantum.com</a>			
A	XXX	phone XXX-XXXX	fax XXX-XXXX
K	XXX	phone XXX-XXXX	fax XXX-XXXX
E	XXX	phone XXX-XXXX	fax XXX-XXXX
V	XXX	phone XXX-XXXX	fax XXX-XXXX
SPR	XXX	phone XXX-XXXX	fax XXX-XXXX
BR	XXX	phone XXX-XXXX	fax XXX-XXXX
M	XXX	phone XXX-XXXX	fax XXX-XXXX
HP	Qvantum Energi AB	phone +46(0)40-15 10 44	fax XXX-XXXX
PROJECT NUMBER		DRAWN BY	
-		J.E.	
DATE		MANAGED BY	
2022-11-10		J.E.	
APPROVED BY		DATE	
L.B.		2022-11-10	
QVANTUM ENERGI AB			
RS SERIES HEAT PUMPS			
MEASUREMENT DRAWING			
SCALE	DRAWING NUMBER		REV
1:10 (A1)	Q-RS2-162-192-001		
1:20 (A3)			



Subject to possible printing errors.  
LAGER: SB11

# QVANTUM HEAT PUMPS

Drawing refers to Fan Unit for Qvantum KVP series Heat Pumps.

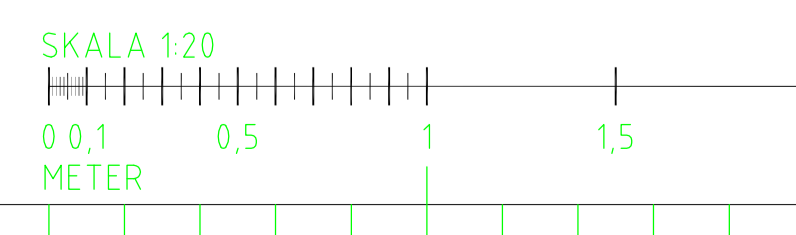
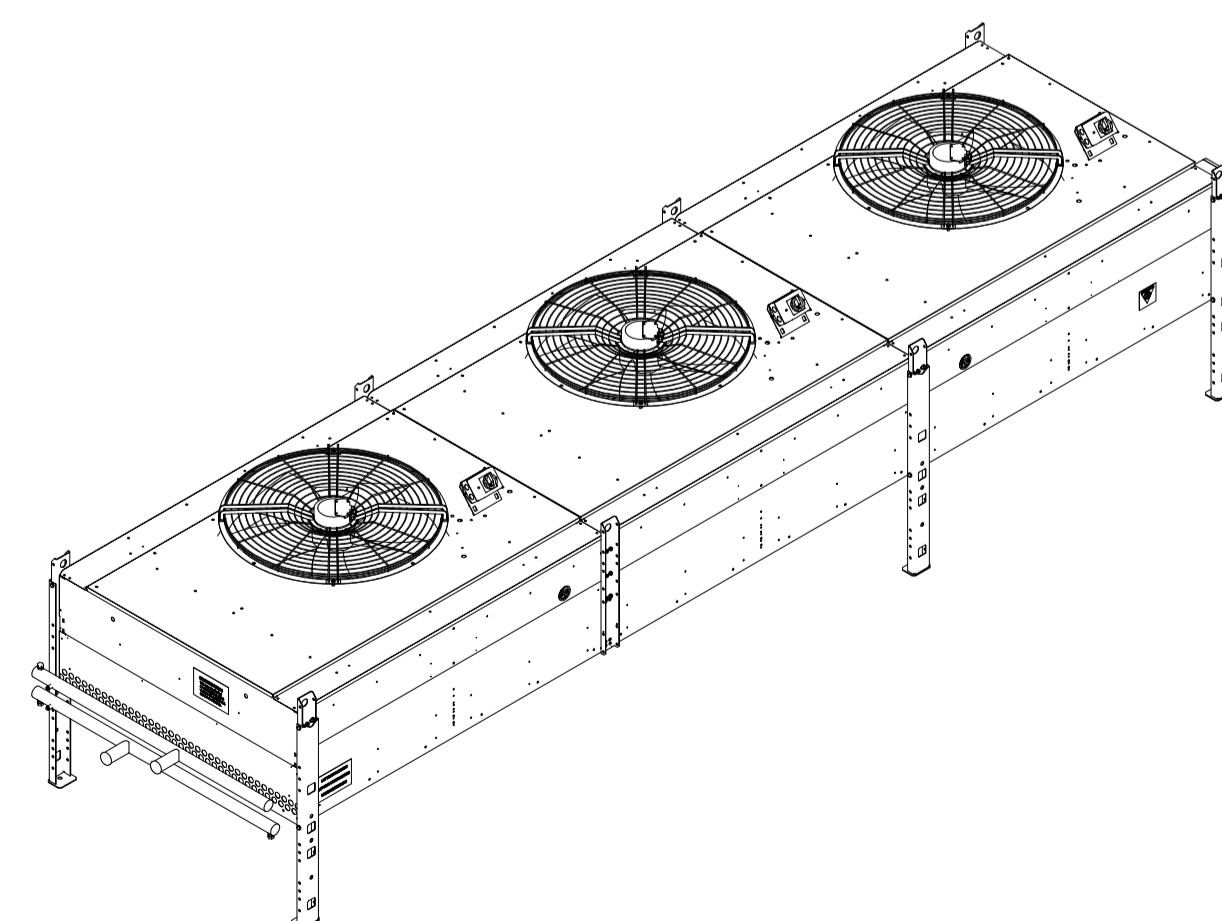
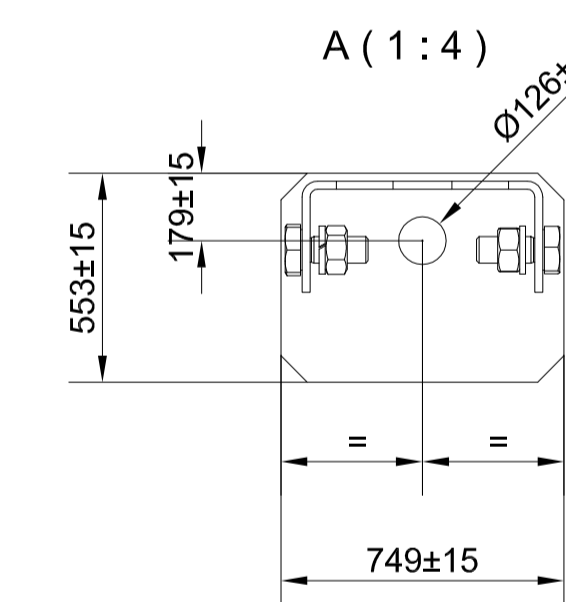
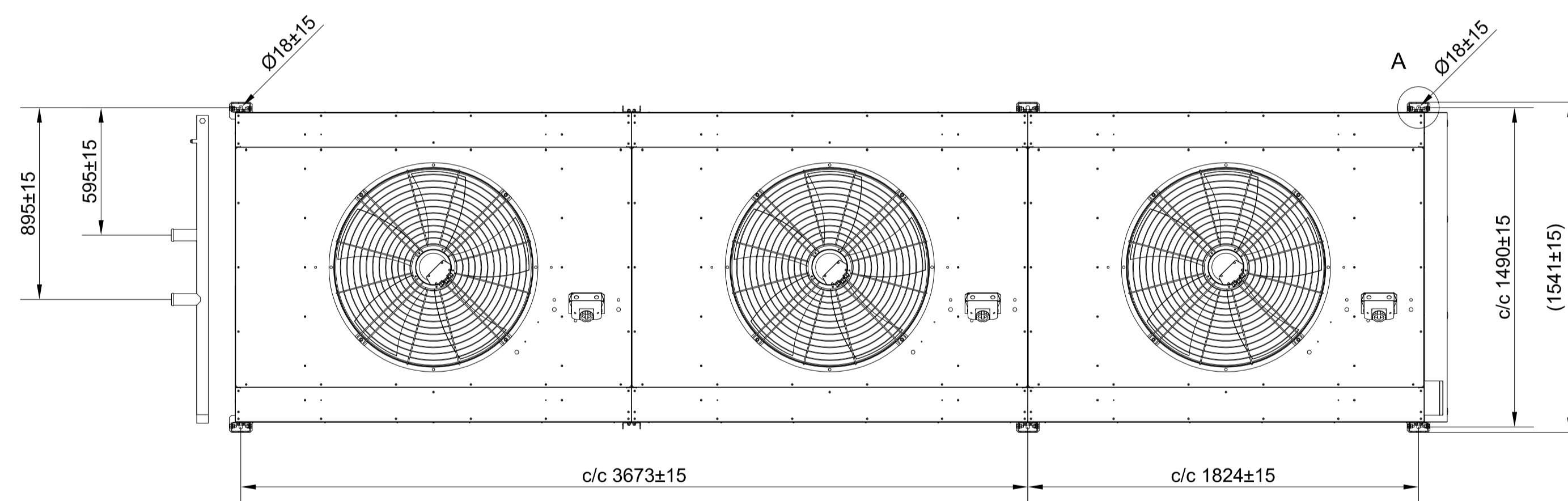
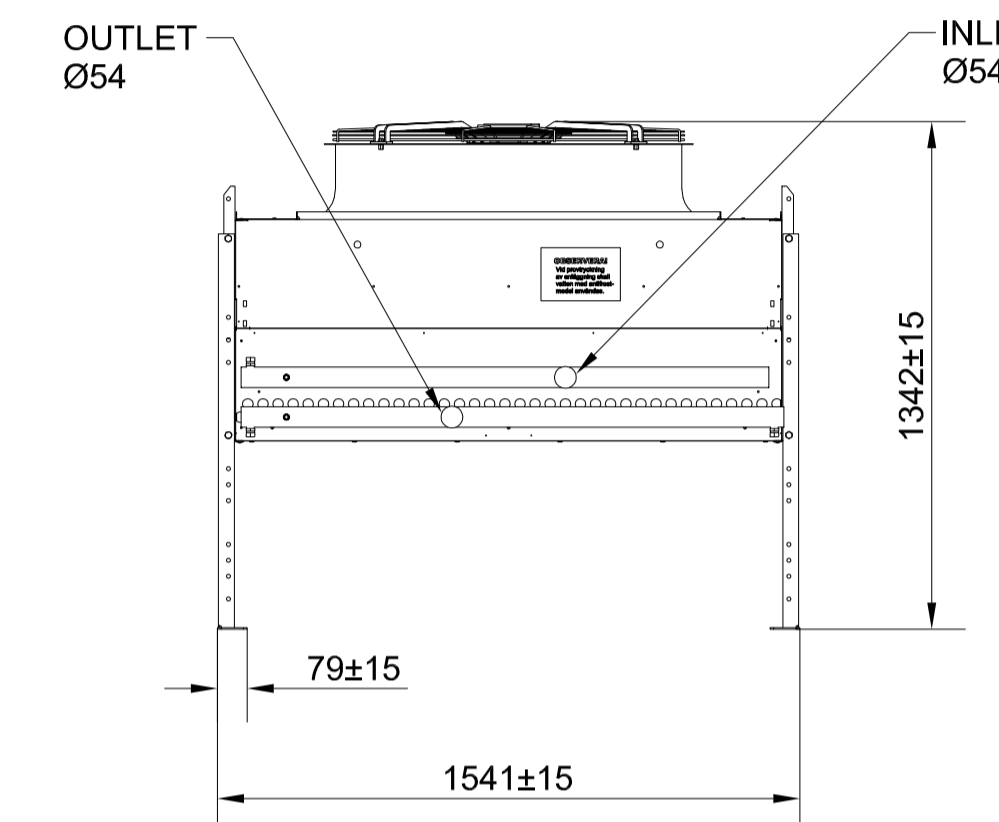
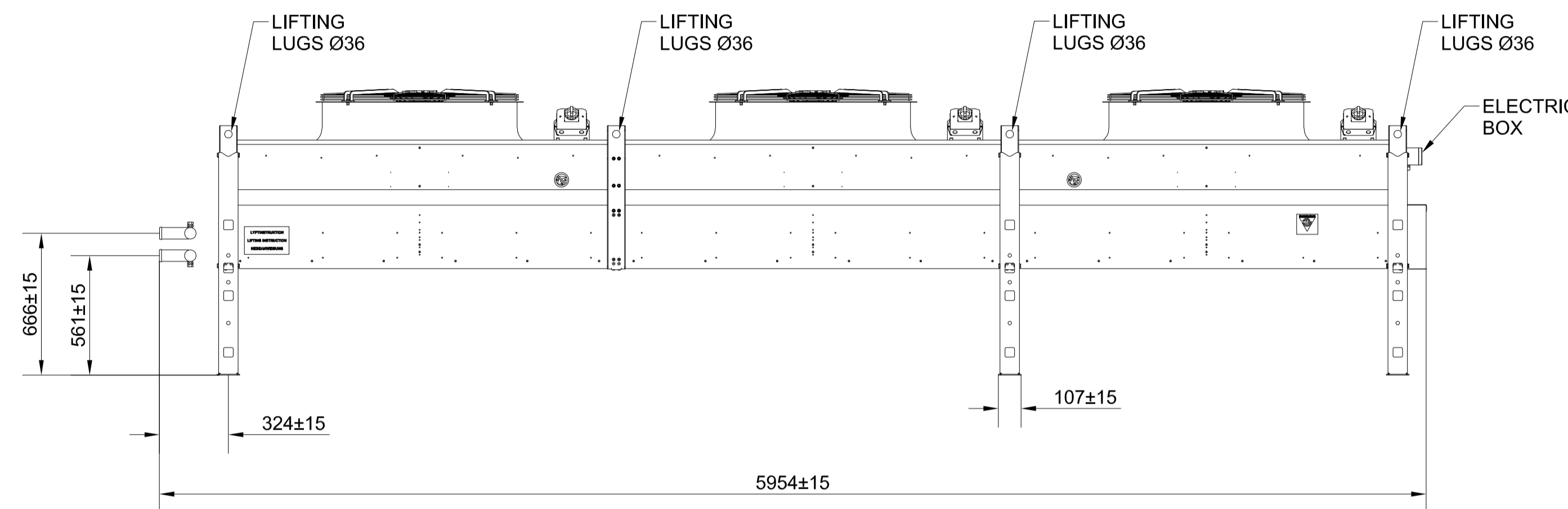
**MODEL RANGE**  
Fan Unit for Qvantum Q96KVP.

**CONNECTION PLACEMENT**  
Left side connection.

**CONNECTION SIZES**  
OUTLET: Cu 54.0  
INLET: Cu 54.0

All measurements in millimeter.

All measurements with ±15 mm tolerance.



Subject to possible printing errors.

LAGER: SB11

REV	REVISION TYPE	DATE	SIGN
PHASE MEASUREMENT DRAWING			
Fan Unit for Q96KVP			
QVANTUM ENERGI AB Ringugnsgatan 12 216 16 Limhamn, Sweden <a href="http://www.quantum.com">www.quantum.com</a>			
A	XXX	phone XXX-XXXX	fax XXX-XXXX
K	XXX	phone XXX-XXXX	fax XXX-XXXX
E	XXX	phone XXX-XXXX	fax XXX-XXXX
V	XXX	phone XXX-XXXX	fax XXX-XXXX
SPR	XXX	phone XXX-XXXX	fax XXX-XXXX
BR	XXX	phone XXX-XXXX	fax XXX-XXXX
M	XXX	phone XXX-XXXX	fax XXX-XXXX
HP	Qvantum Energi AB	phone +46 10 332 00 50	fax XXX-XXXX
PROJECT NUMBER		DRAWN BY	MANAGED BY
-		J.E.	J.E.
DATE		APPROVED BY	
2023-05-04		J.E.	
QVANTUM ENERGI AB FAN UNIT FOR QVANTUM Q96KVP MEASUREMENT DRAWING			
SCALE	1:20 (A1)	DRAWING NUMBER	REV
	1:40 (A3)	Q-KVP-96-FU-001	

P.L. 2023-05-04 20:03 J:\QVANTUM\INTEKNT\05-RINGUGNSGATAN\MOD\SERIE KVP\DWG JONAS

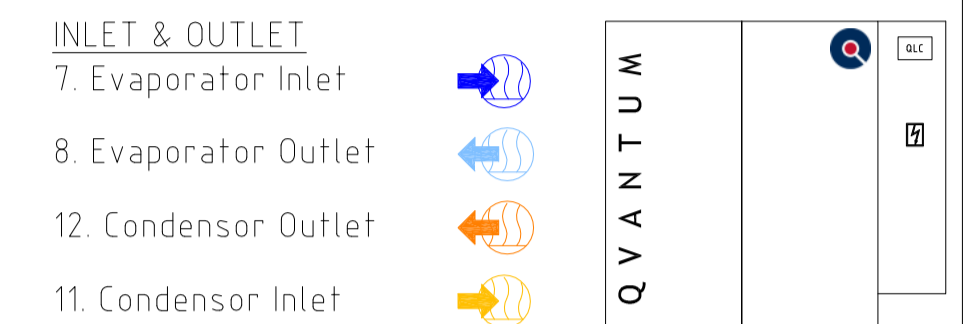
# QVANTUM HEAT PUMPS

Drawing refers to Qvantum KVP series Heat Pumps.

**MODEL RANGE**  
Q123KVP to Q144KVP.

**CONNECTION PLACEMENT**  
Back side connection.

**CONNECTION SIZES**  
Q123KVP & Q144KVP  
Condensor - Cu 54.0 mm  
Evaporator - DN65 int. thread



Power Supply.

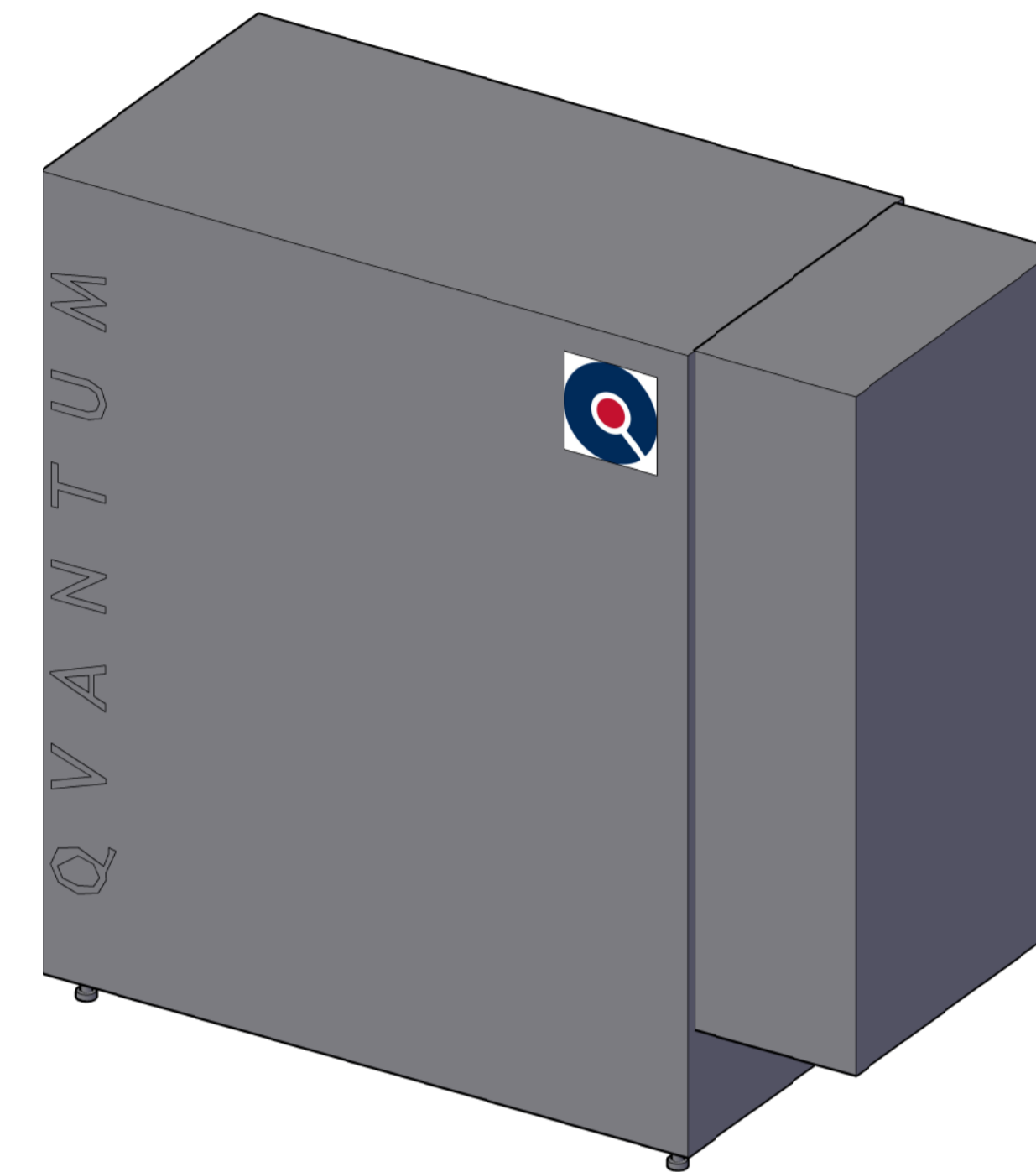
Electric Cabinet can be placed on either side.

All components inside heat pump are available from front.

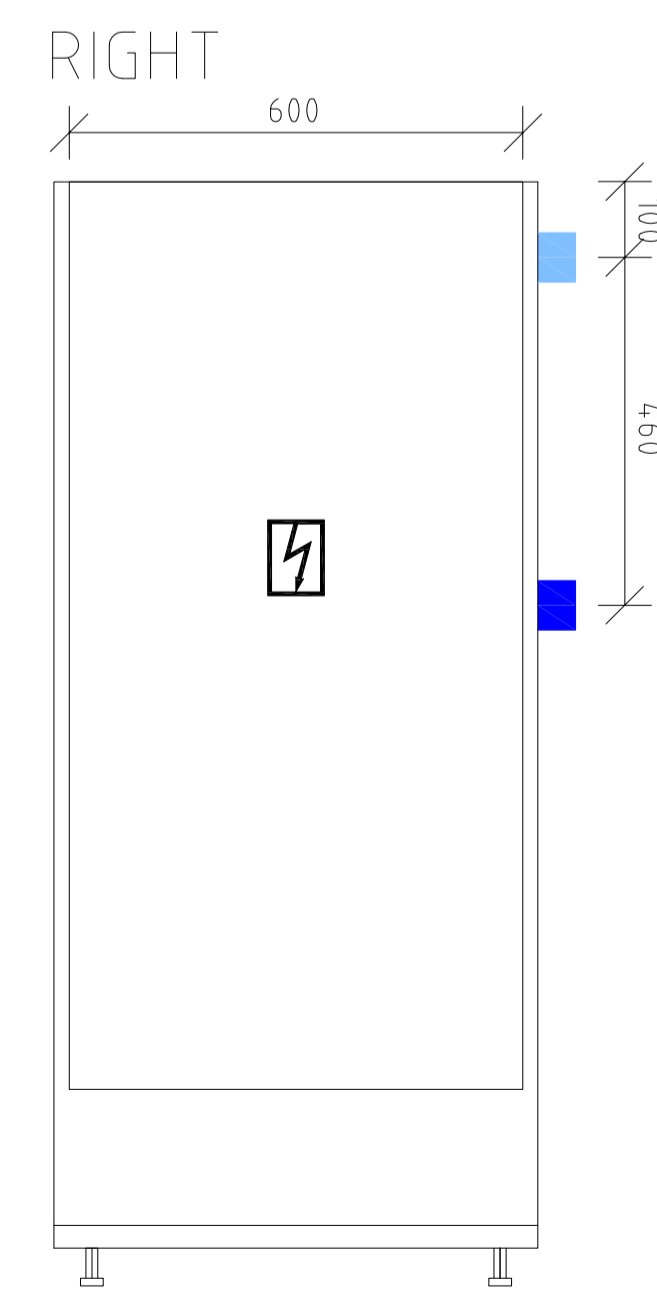
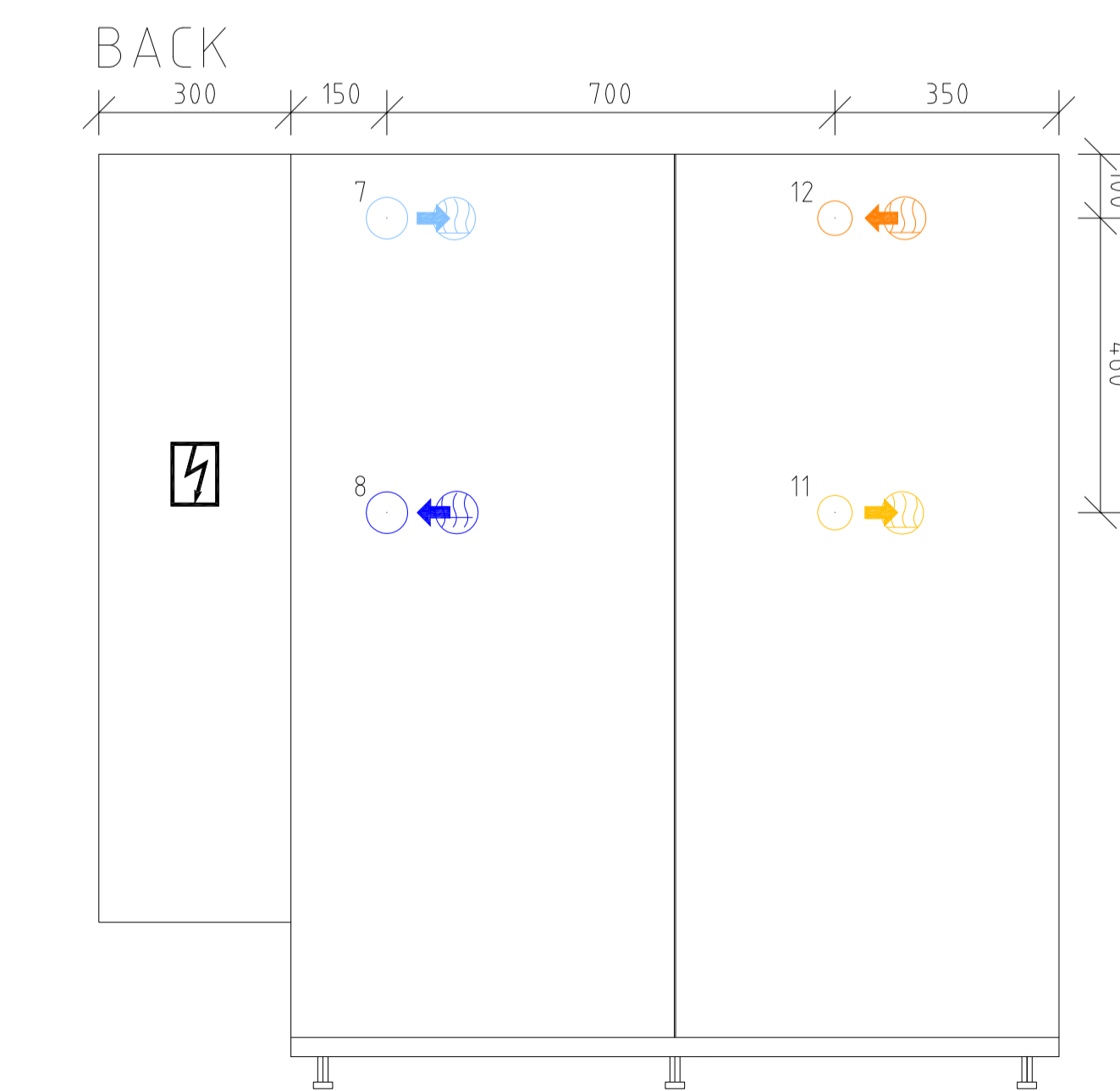
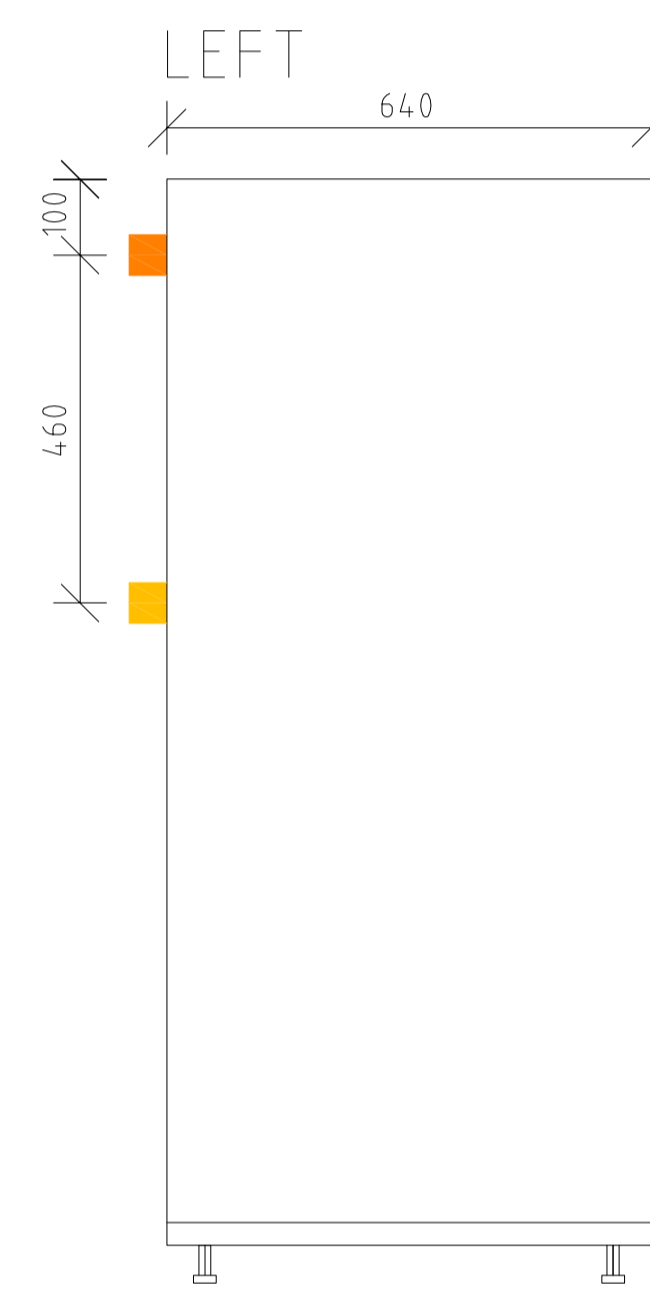
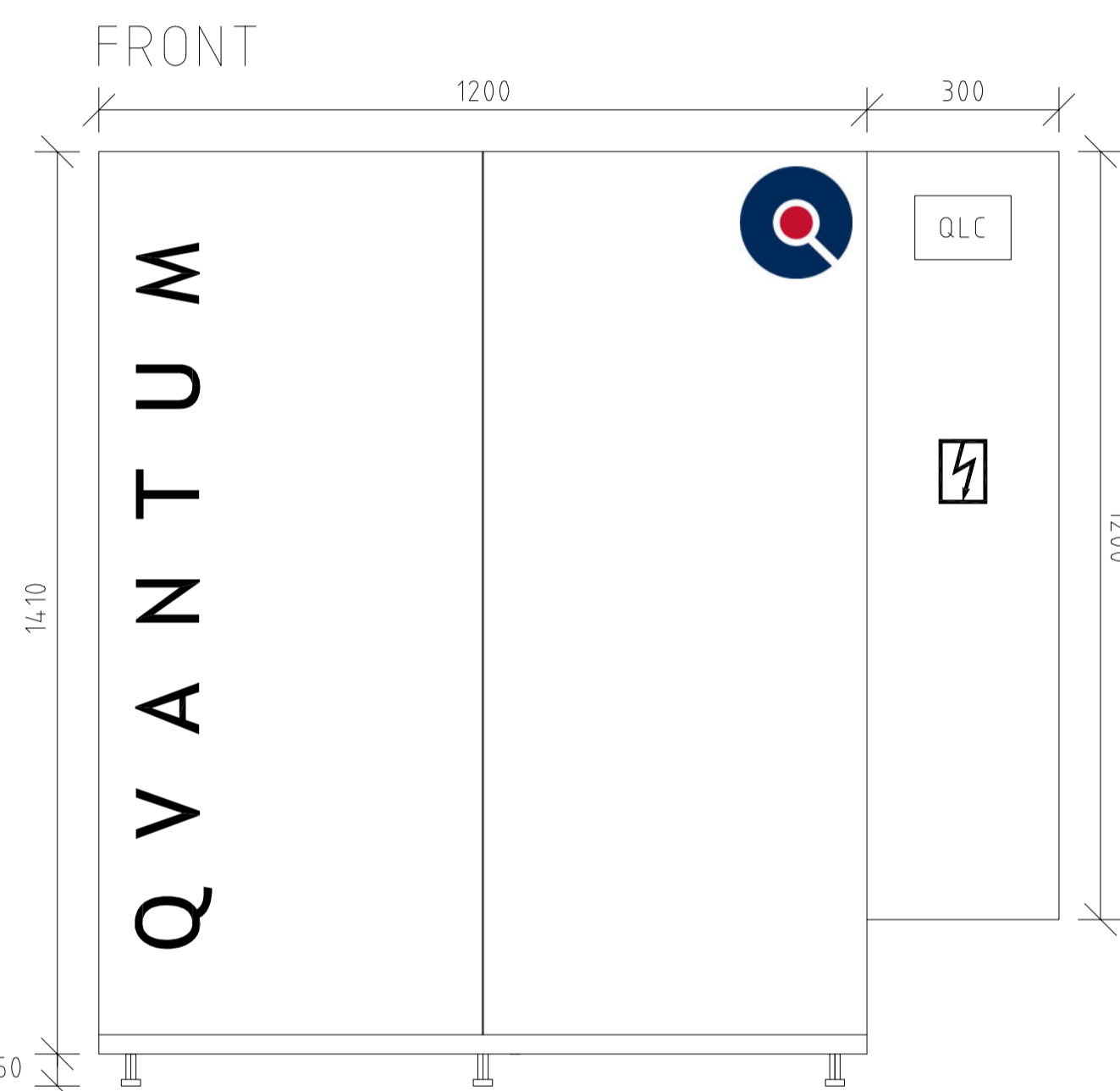
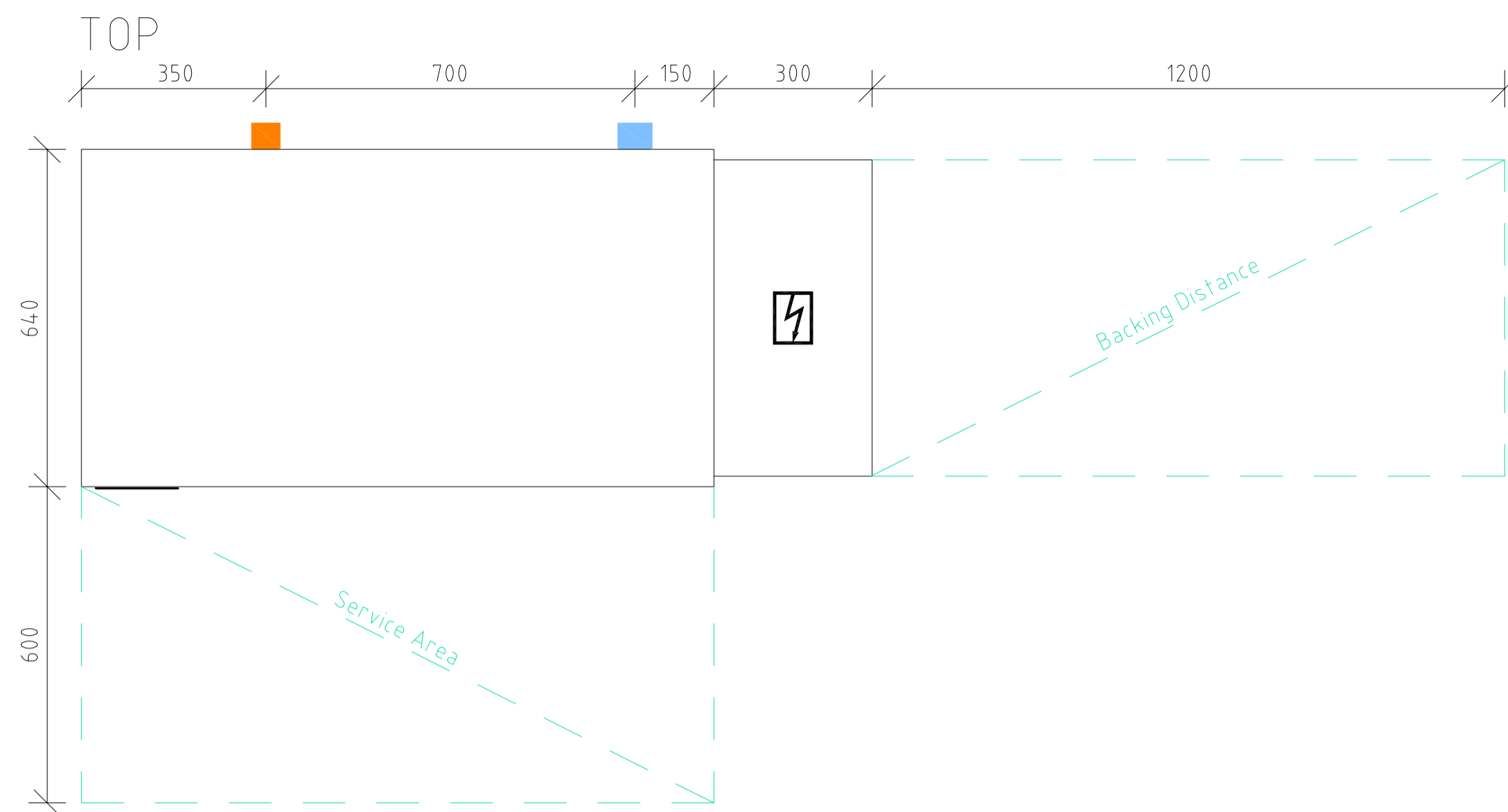
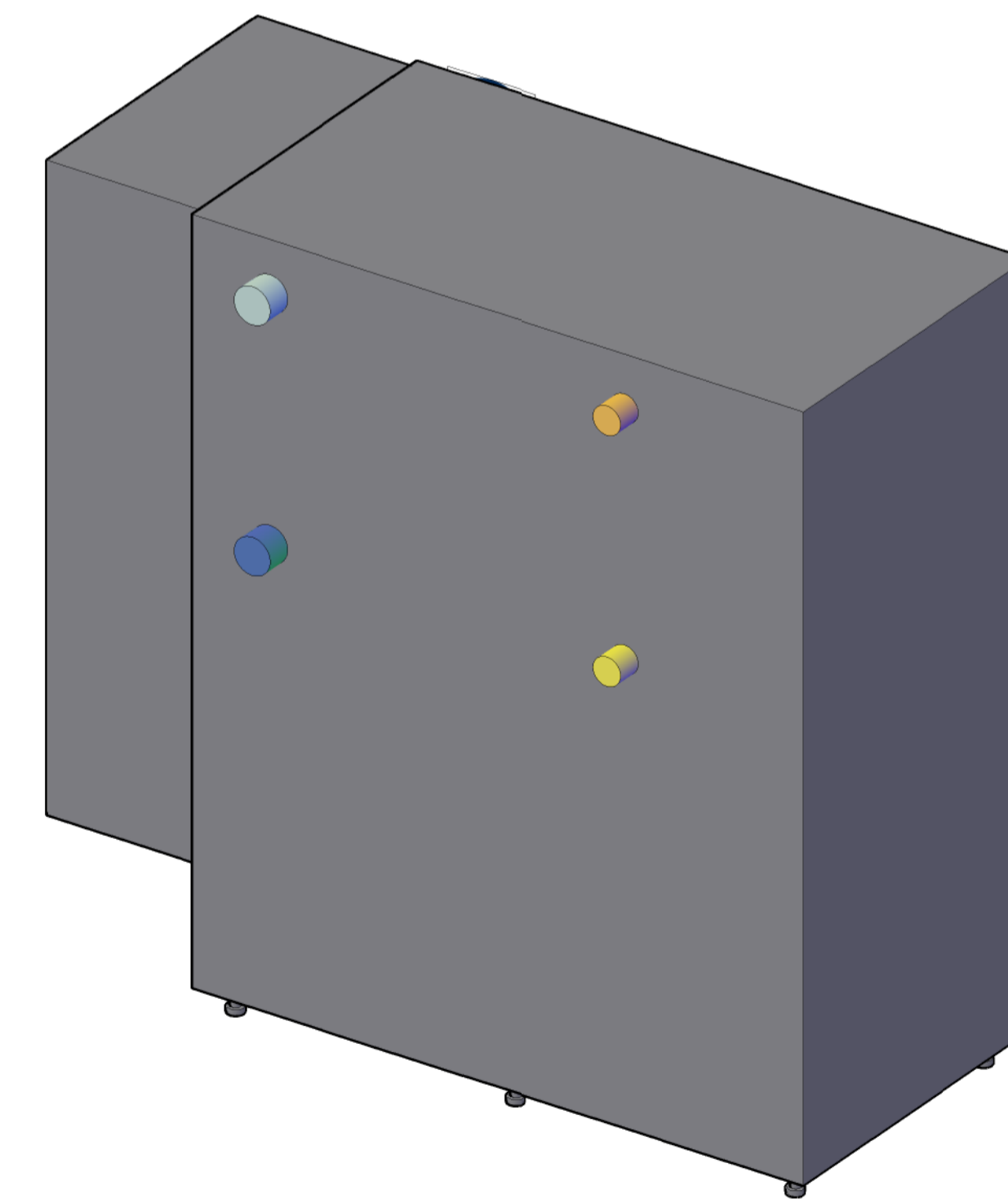
All measurements in millimeter.

All measurements with ±5 mm tolerance.

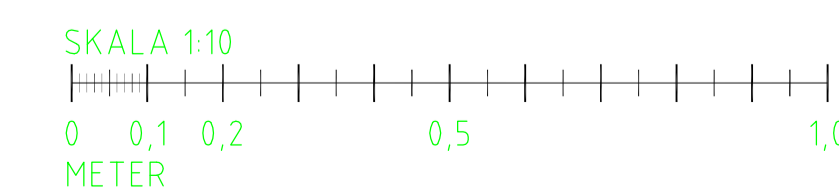
ISO, SE VIEW



ISO, NW VIEW



REV	REVISION TYPE	DATE	SIGN
PHASE			
MEASUREMENT DRAWING			
KVP SERIES			
Q123KVP to Q144KVP			
QVANTUM ENERGI AB Ringugnsgatan 12 216 16 Limhamn, Sweden <a href="http://www.qvantum.com">www.qvantum.com</a>			
A	XXX	phone XXX-XXX	fax XXX-XXX
K	XXX	phone XXX-XXX	fax XXX-XXX
E	XXX	phone XXX-XXX	fax XXX-XXX
V	XXX	phone XXX-XXX	fax XXX-XXX
SPR	XXX	phone XXX-XXX	fax XXX-XXX
BR	XXX	phone XXX-XXX	fax XXX-XXX
M	XXX	phone XXX-XXX	fax XXX-XXX
HP	Qvantum Energi AB	phone +46 10 332 00 50	fax XXX-XXX
PROJECT NUMBER		DRAWN BY	MANAGED BY
-		J.E.	
DATE		APPROVED BY	
2023-10-02			
QVANTUM ENERGI AB KVP SERIES HEAT PUMPS MEASUREMENT DRAWING			
SCALE	DRAWING NUMBER		REV
1:10 (A1)	Q-KVP-123-144-001		
1:20 (A3)			



Subject to possible printing errors.

LAGER: SB11

PLO: 2023-10-02 02:40 J:\QVANTUM\01\INTERNTUS\RINGUGN\MOD\SERIE KVP\DWG\_JONAS

# QVANTUM HEAT PUMPS

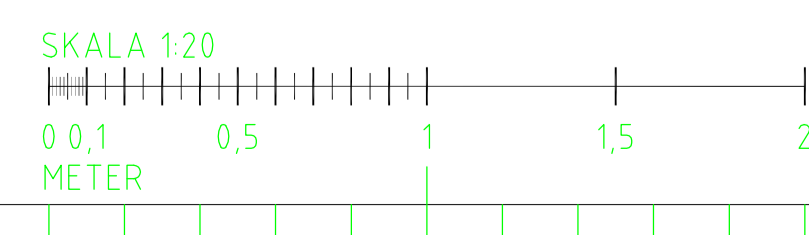
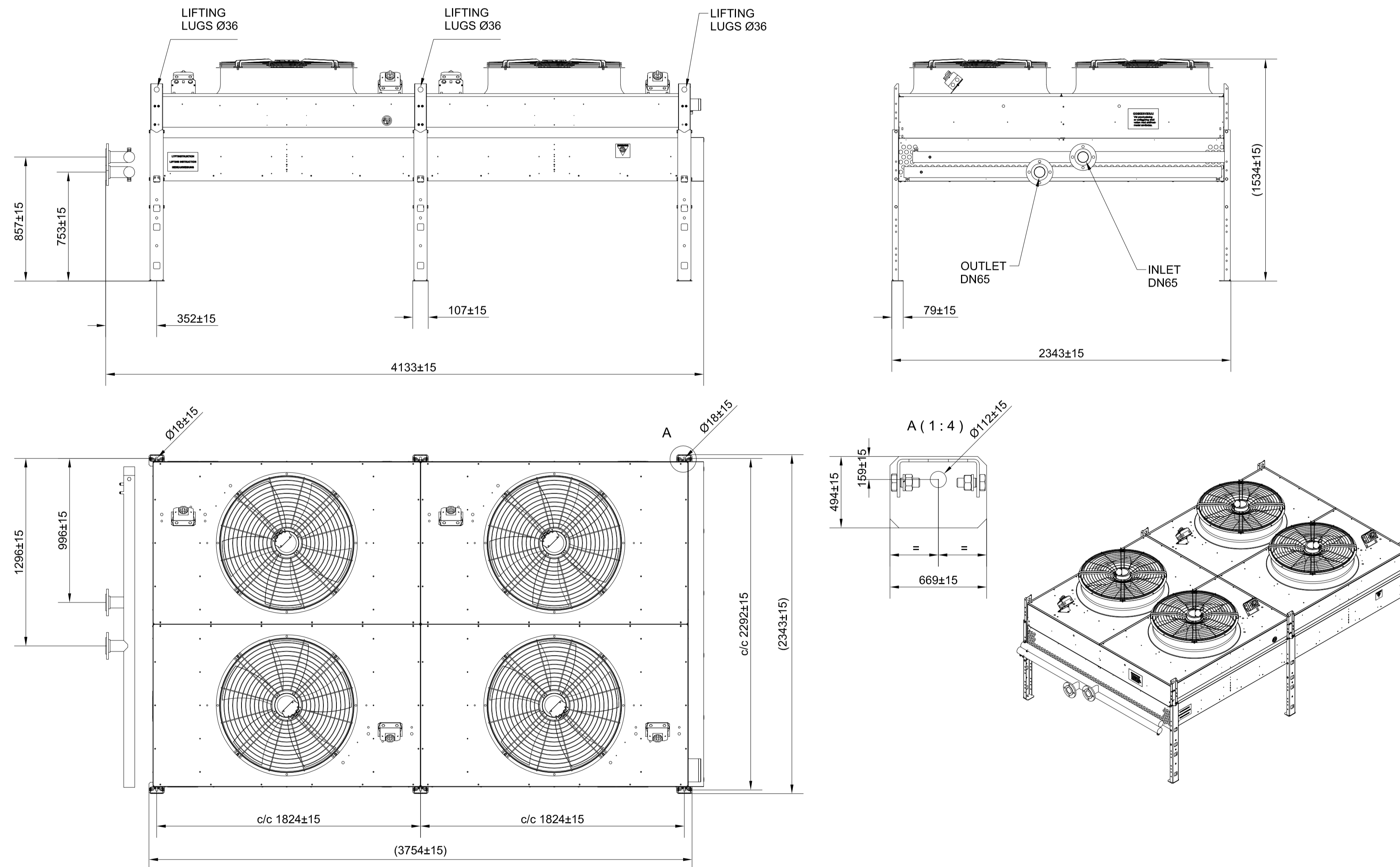
Drawing refers to Fan Unit for Qvantum KVP series Heat Pumps.

**MODEL RANGE**  
Fan Unit for Qvantum Q123KVP.

**CONNECTION PLACEMENT**  
Left side connection.

**CONNECTION SIZES**  
OUTLET: DN65  
INLET: DN65

All measurements in millimeter.  
All measurements with ±15 mm tolerance.



REV	REVISION TYPE	DATE	SIGN
PHASE MEASUREMENT DRAWING			
Fan Unit for Q123KVP			
QVANTUM ENERGI AB Ringugnsgatan 12 216 16 Limhamn, Sweden <a href="http://www.qvantum.com">www.qvantum.com</a>			
A	XXX	phone XXX-XXXX	fax XXX-XXXX
K	XXX	phone XXX-XXXX	fax XXX-XXXX
E	XXX	phone XXX-XXXX	fax XXX-XXXX
V	XXX	phone XXX-XXXX	fax XXX-XXXX
SPR	XXX	phone XXX-XXXX	fax XXX-XXXX
BR	XXX	phone XXX-XXXX	fax XXX-XXXX
M	XXX	phone XXX-XXXX	fax XXX-XXXX
HP	Qvantum Energi AB	phone +46 10 332 00 50	fax XXX-XXXX
PROJECT NUMBER		DRAWN BY	MANAGED BY
-		J.E.	J.E.
DATE		APPROVED BY	
2023-05-04		J.E.	
QVANTUM ENERGI AB FAN UNIT FOR QVANTUM Q123KVP MEASUREMENT DRAWING			
SCALE	DRAWING NUMBER	REV	
1:20 (A1) 1:40 (A3)	Q-KVP-123-FU-001		

Subject to possible printing errors.

LAGER: SB11

PLO 2023-05-04 20:04 J:\QVANTUM\Q123\INTERNT\05 RINGUGNSGATAN\MOD SERIE KVP\DWG JONAS



# QVANTUM HEAT PUMPS

Drawing refers to Qvantum KVP Modules.

**MODEL RANGE**  
Module for Q123KVP & Q144KVP.

**CONNECTION PLACEMENT**  
Back side and top connection.

**CONNECTION SIZES**  
All connections: Cu54.0 mm

**INLET & OUTLET**

- 1. Inlet from fan unit
- 2. Outlet to fan unit
- 5. Outlet to heat pump
- 6. Inlet from heat pump
- 9. Inlet from heat system
- 10. Outlet to heat pump
- 3. Inlet from cold tanks
- 4. Outlet to cold tanks

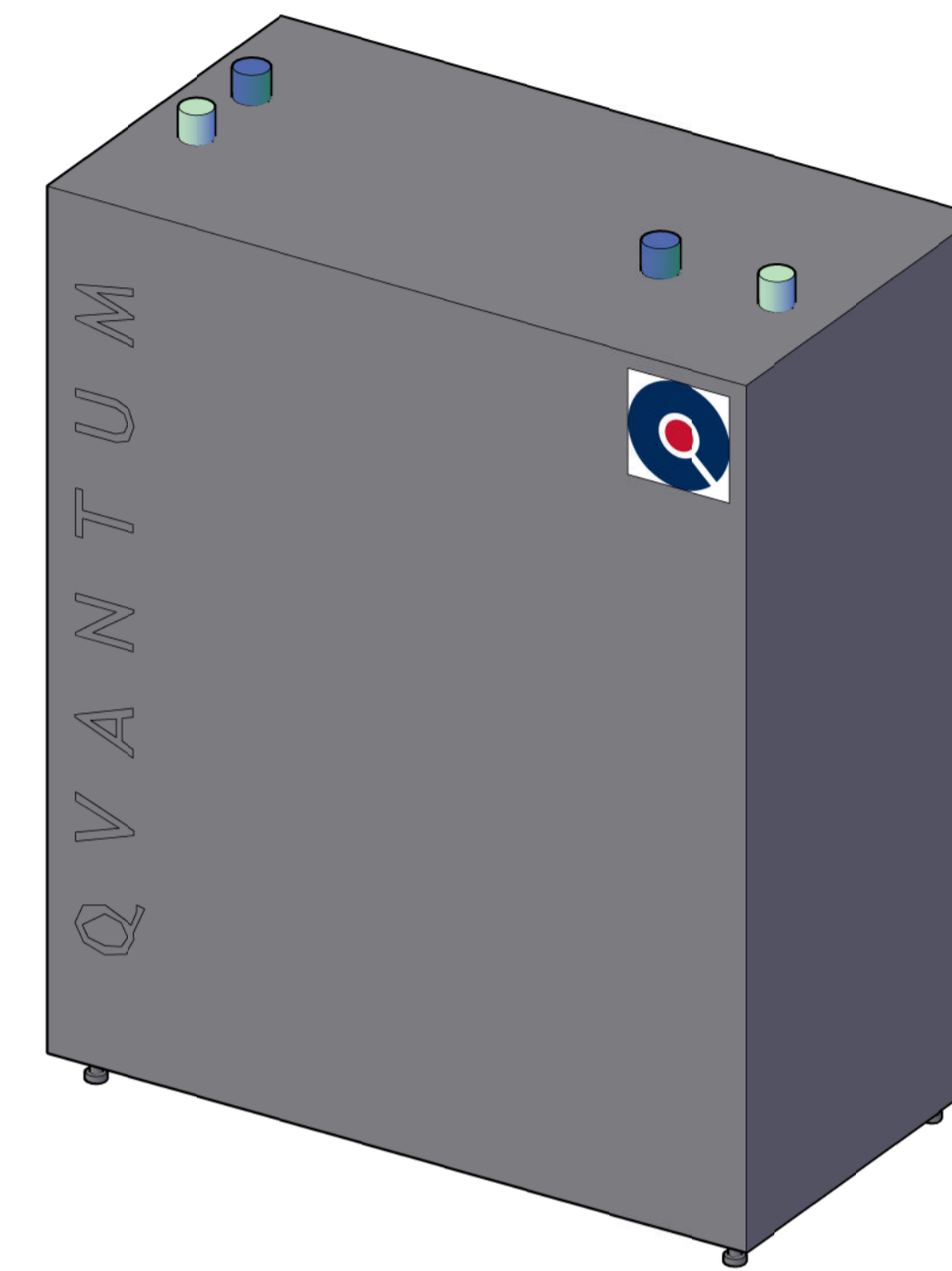


All components inside heat pump are available from front.

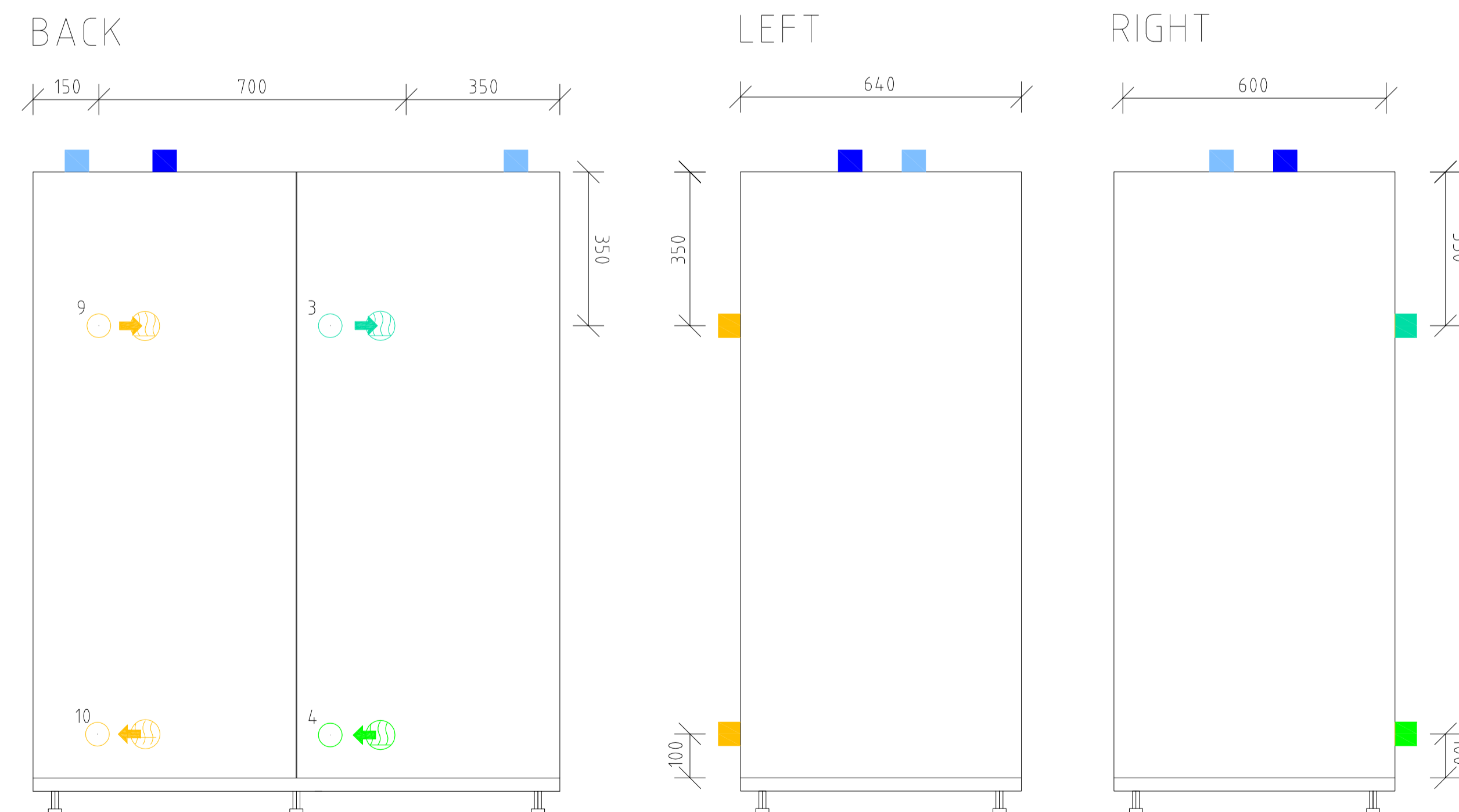
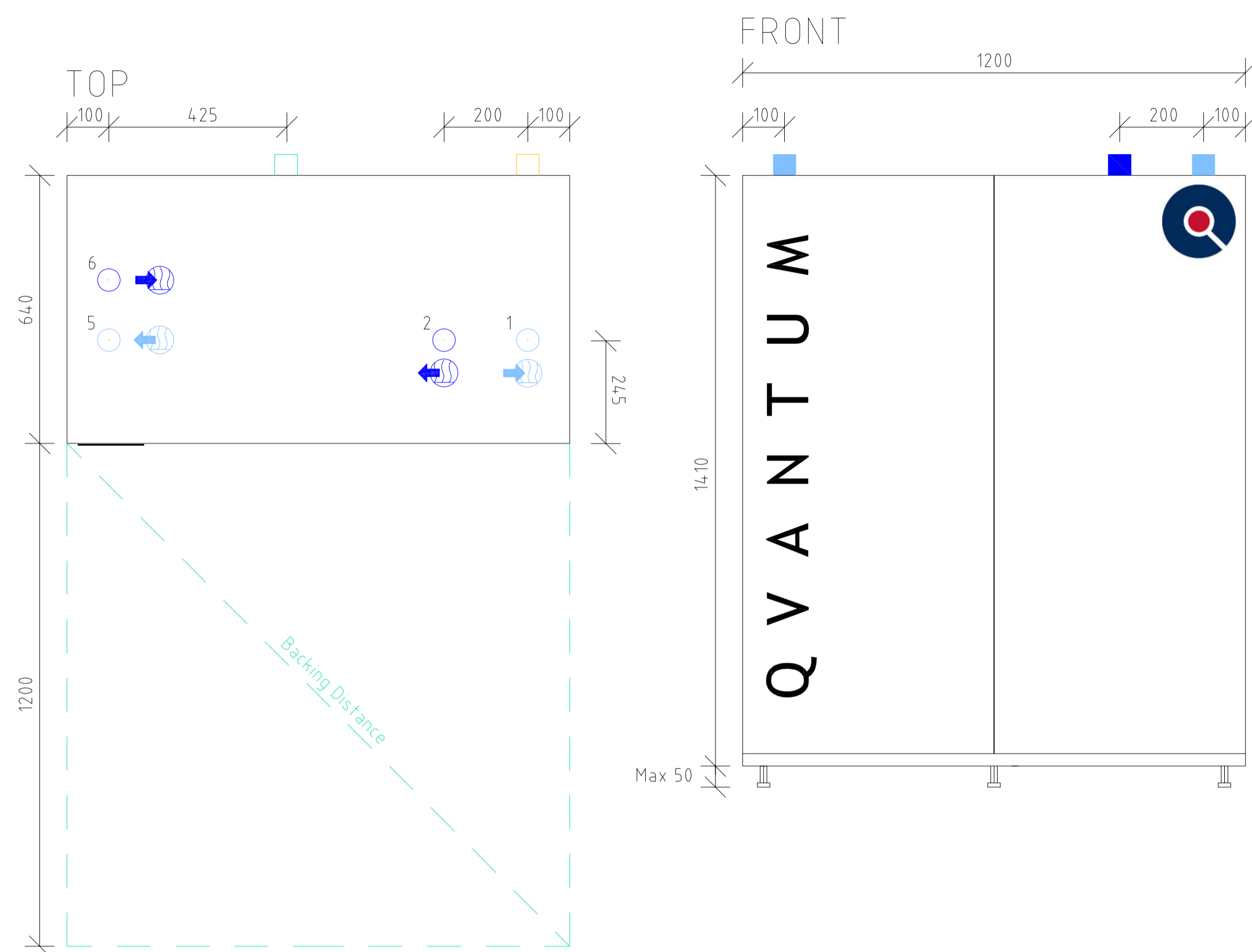
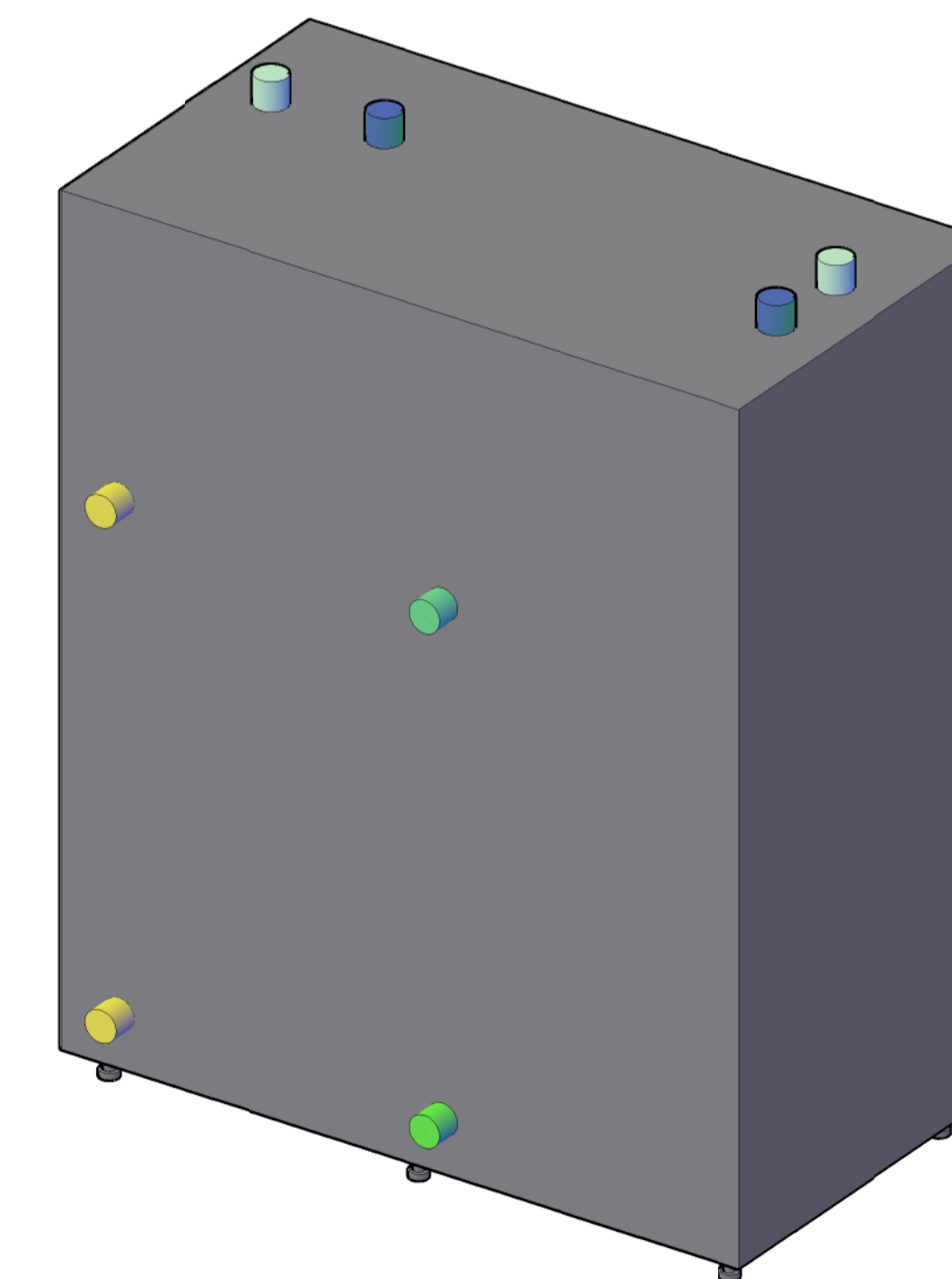
All measurements in millimeter.

All measurements with ±5 mm tolerance.

ISO, SE VIEW



ISO, NW VIEW



REV	REVISION TYPE	DATE	SIGN
PHASE			
MEASUREMENT DRAWING			
KVP SERIES			
Module for Q123KVP & Q144KVP			
QVANTUM ENERGI AB Ringugnsgatan 12 216 16 Limhamn, Sweden <a href="http://www.qvantum.com">www.qvantum.com</a>			
A	XXX	phone XXX-XXXX	fax XXX-XXXX
K	XXX	phone XXX-XXXX	fax XXX-XXXX
E	XXX	phone XXX-XXXX	fax XXX-XXXX
V	XXX	phone XXX-XXXX	fax XXX-XXXX
SPR	XXX	phone XXX-XXXX	fax XXX-XXXX
BR	XXX	phone XXX-XXXX	fax XXX-XXXX
M	XXX	phone XXX-XXXX	fax XXX-XXXX
HP	Qvantum Energi AB	phone +46 10 332 00 50	fax XXX-XXXX
PROJECT NUMBER		DRAWN BY	
-		J.E.	
DATE		APPROVED BY	
2023-10-02			
QVANTUM ENERGI AB			
KVP SERIES - MODULE			
MEASUREMENT DRAWING			
SCALE	DRAWING NUMBER	REV	
1:10 (A1)	Q-KVP-123-144-M-001		
1:20 (A3)			



Subject to possible printing errors.

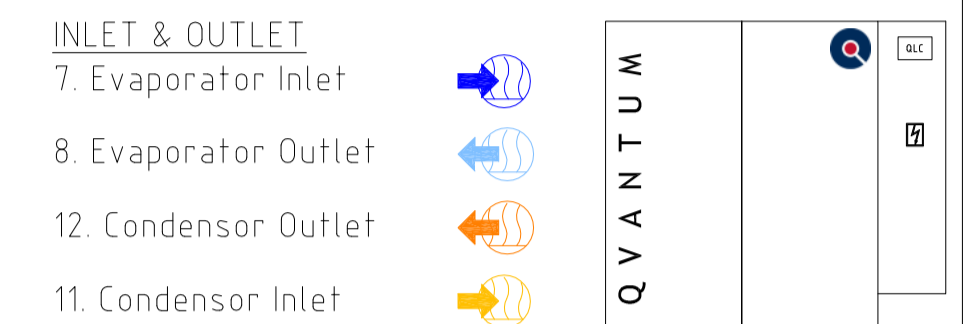
# QVANTUM HEAT PUMPS

Drawing refers to Qvantum KVP series Heat Pumps.

**MODEL RANGE**  
Q123KVP to Q144KVP.

**CONNECTION PLACEMENT**  
Back side connection.

**CONNECTION SIZES**  
Q123KVP & Q144KVP  
Condensor - Cu 54.0 mm  
Evaporator - DN65 int. thread



Power Supply.

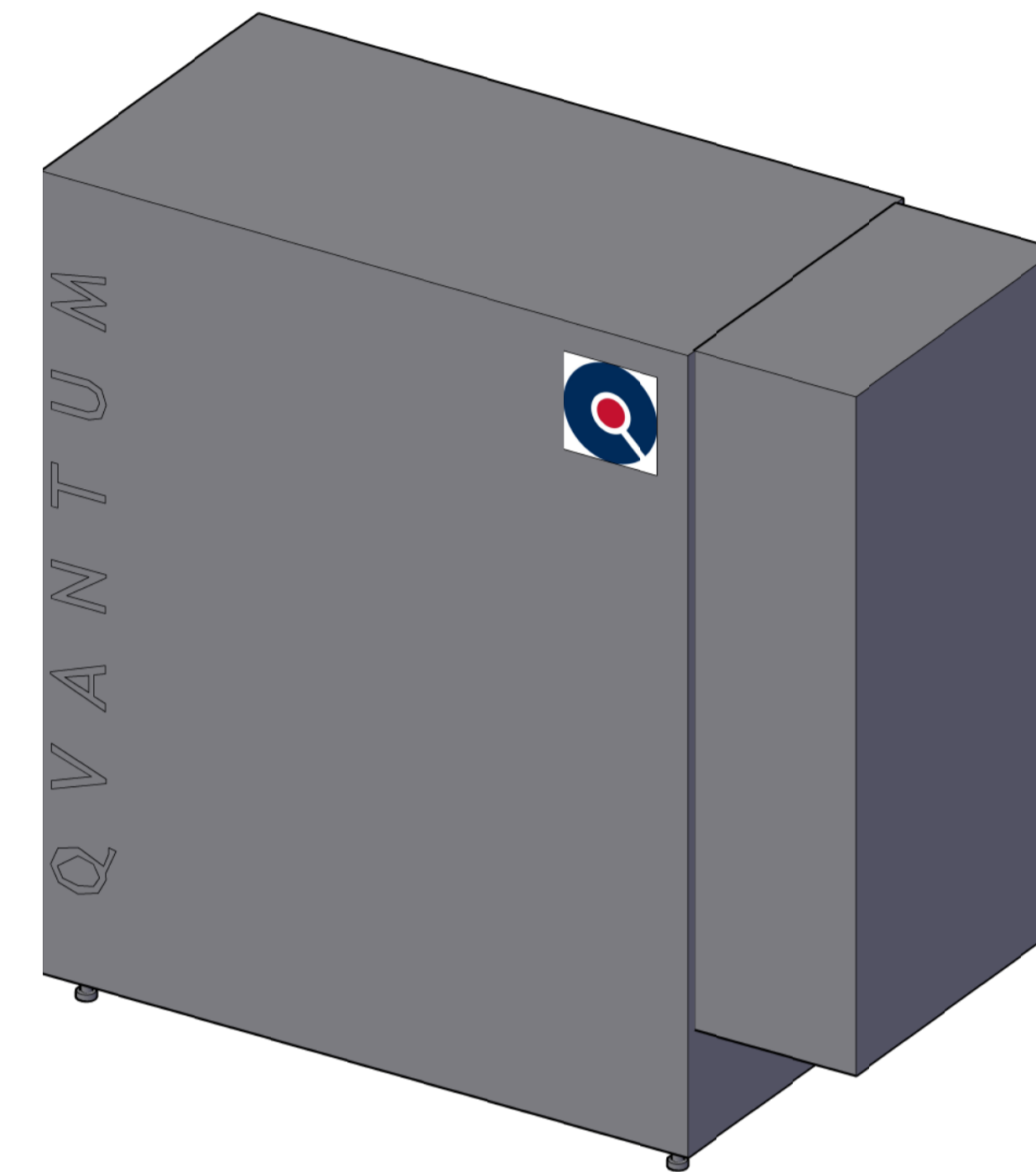
Electric Cabinet can be placed on either side.

All components inside heat pump are available from front.

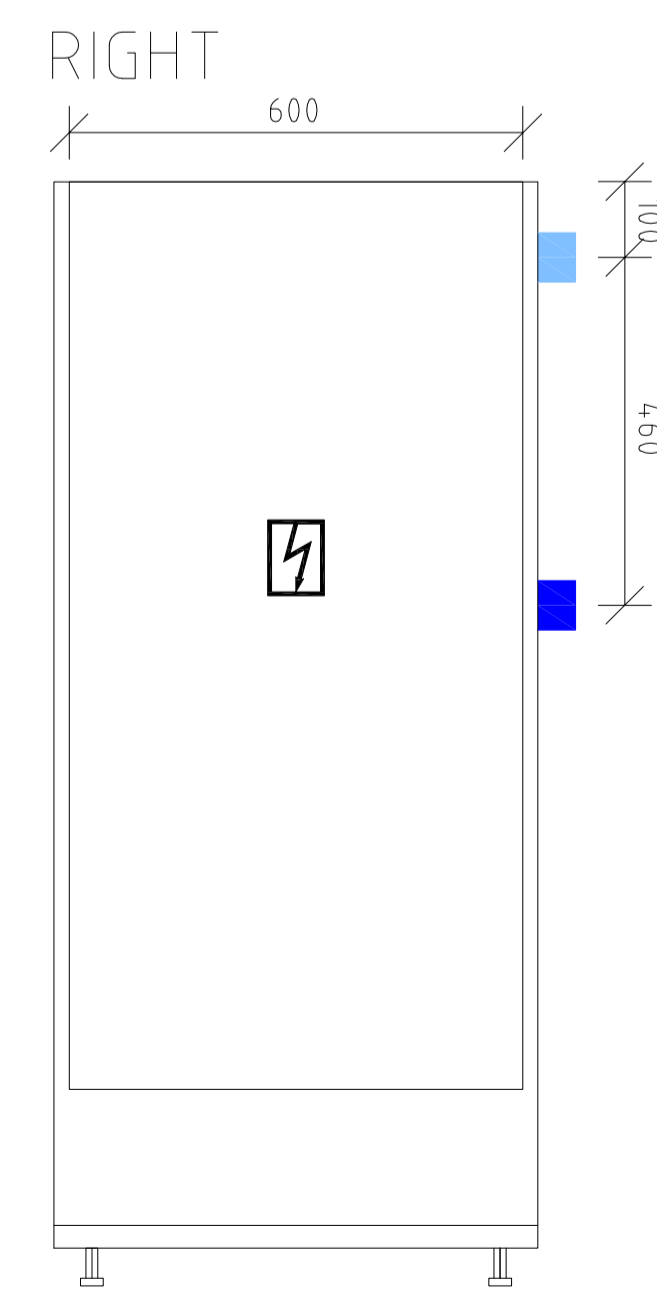
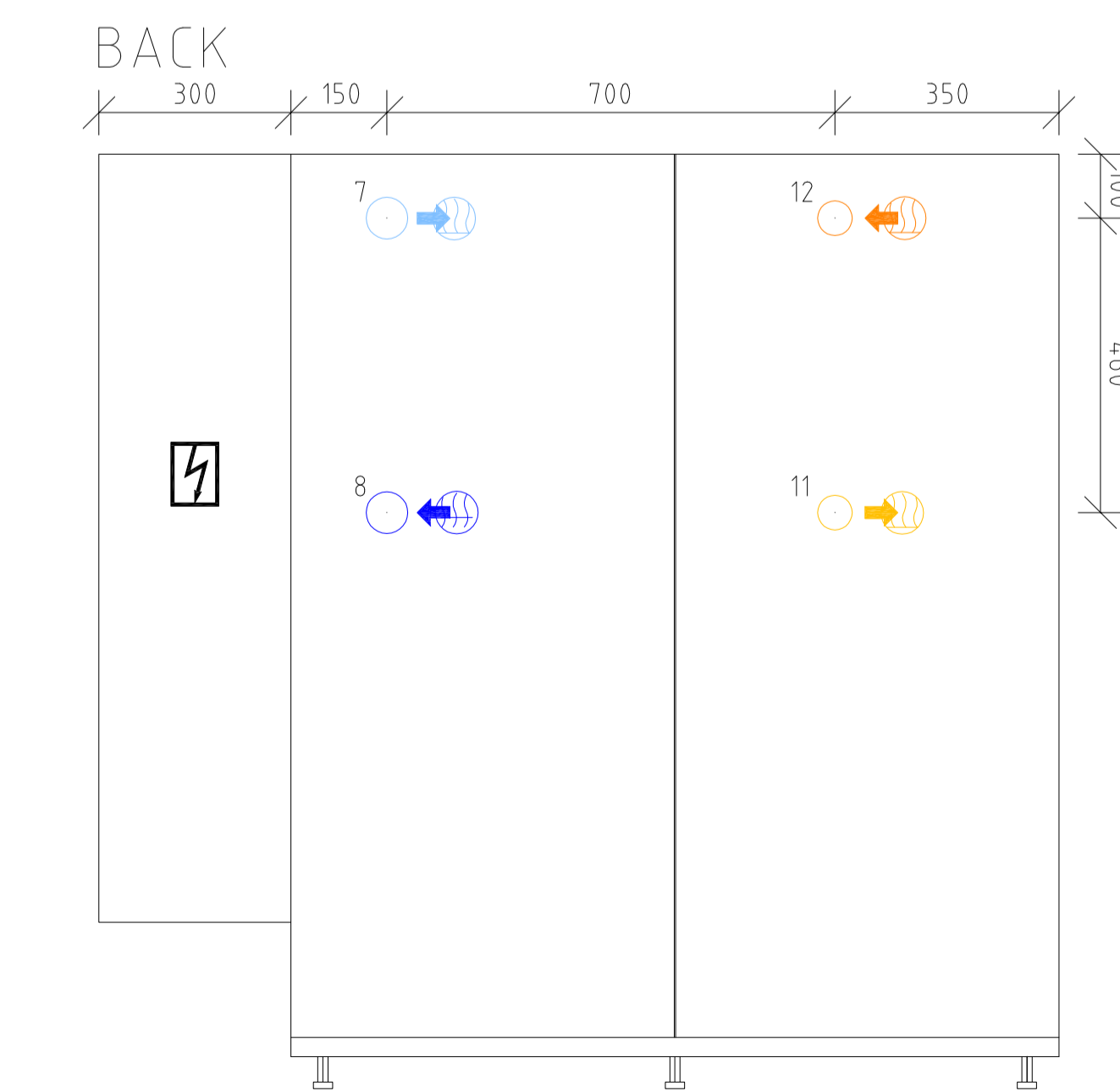
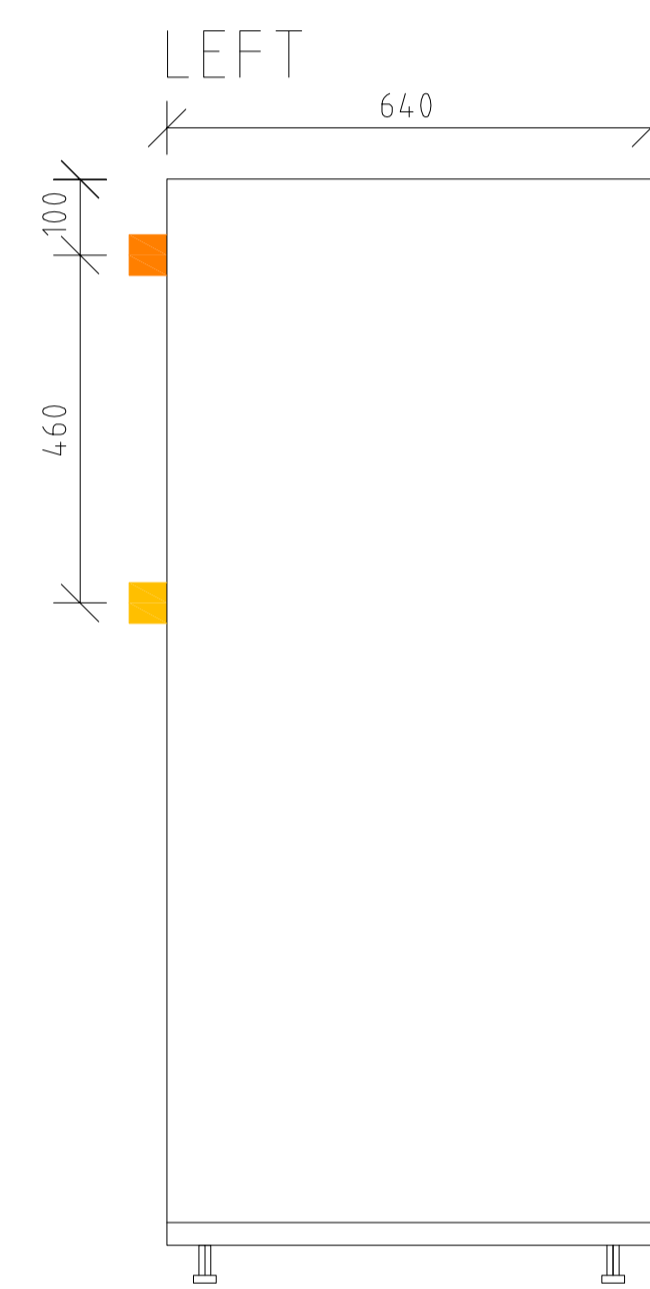
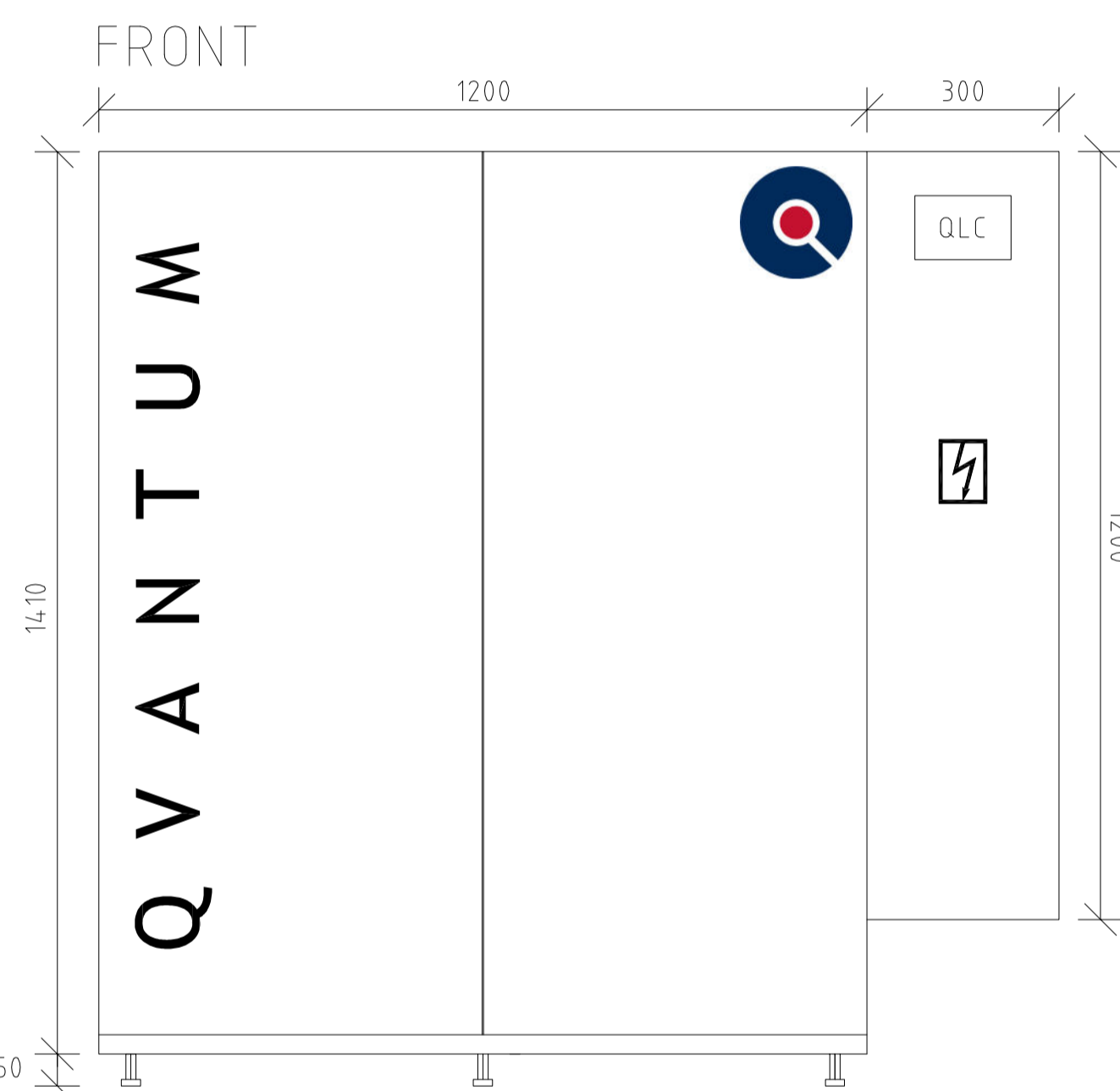
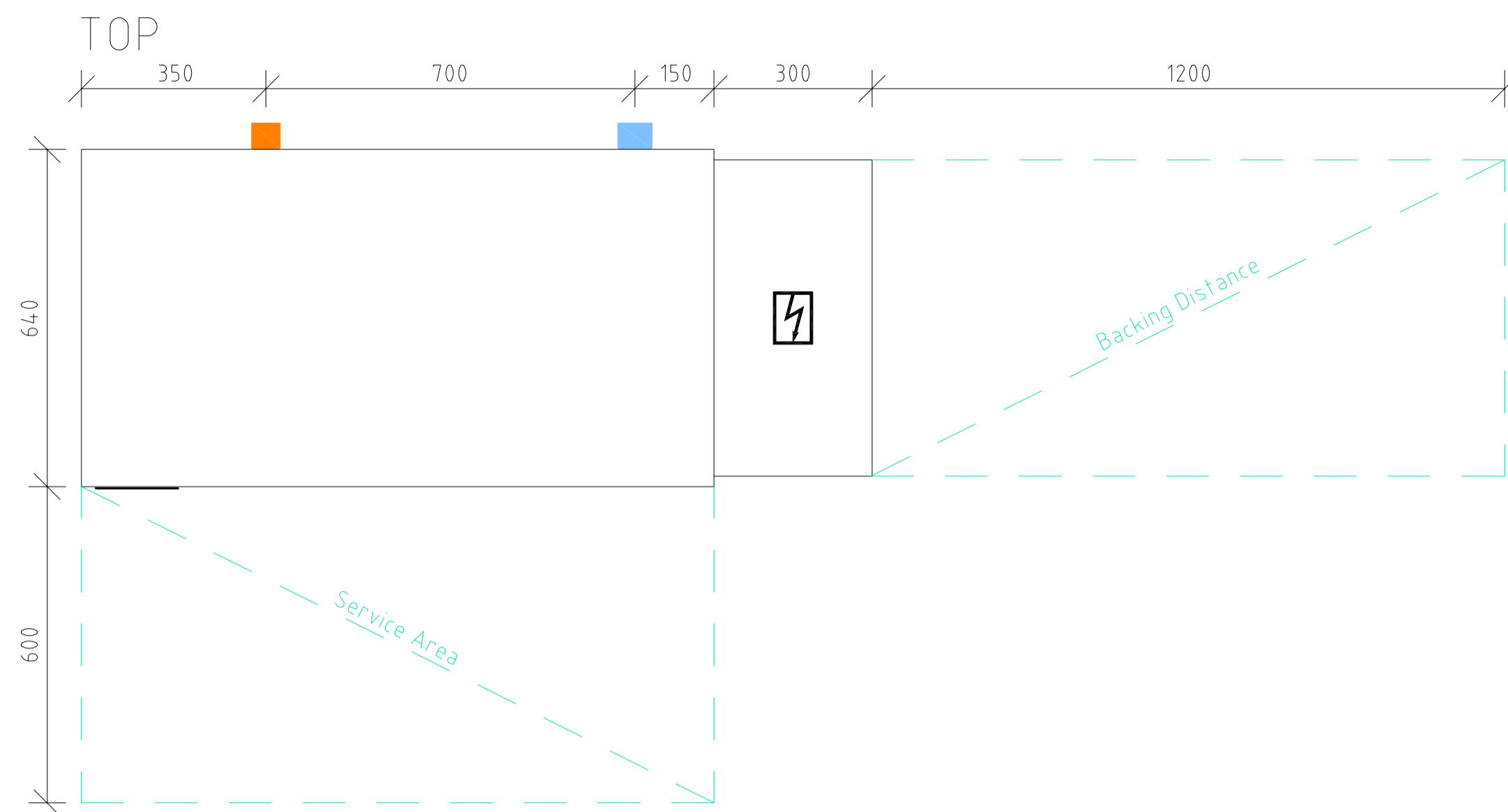
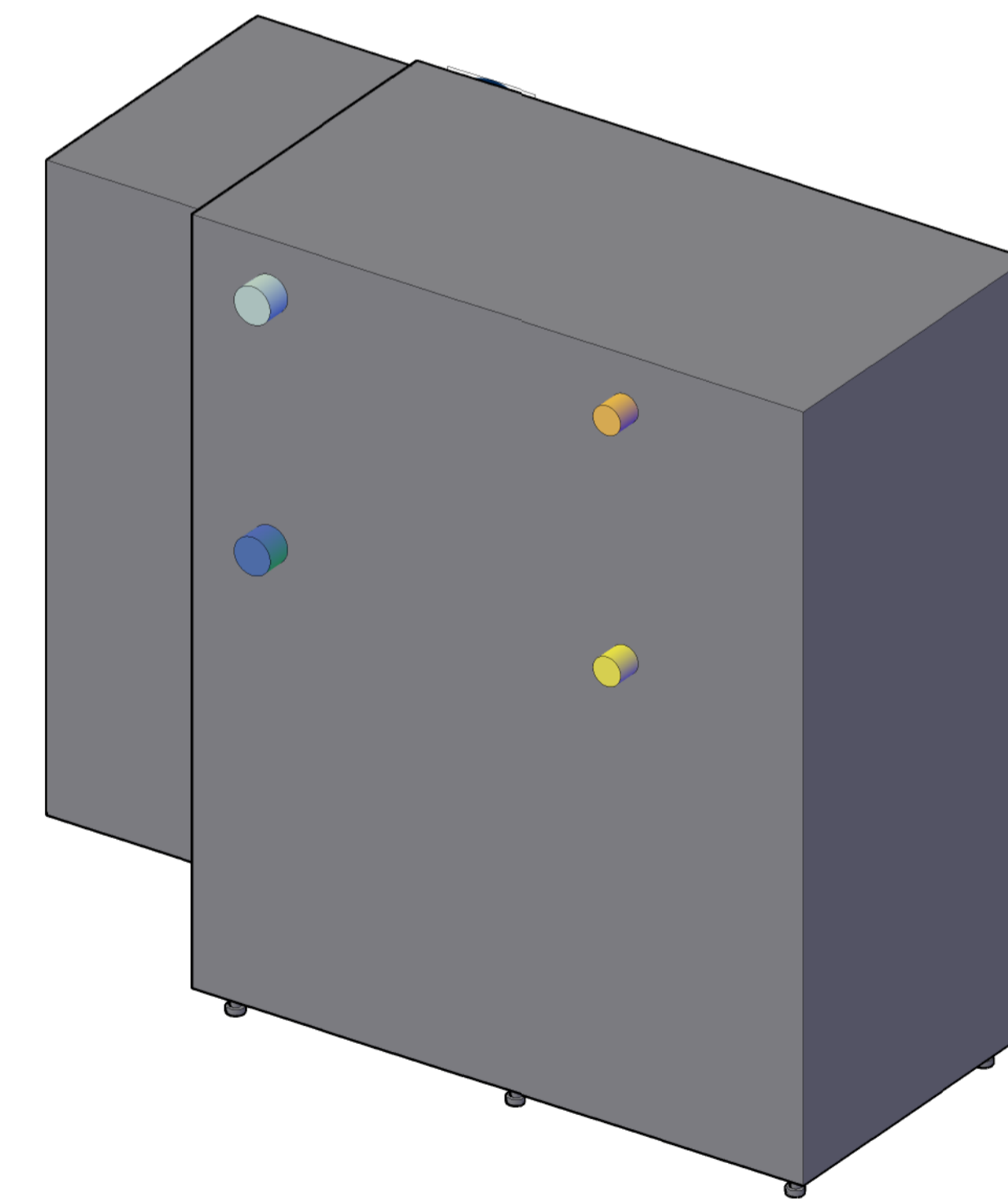
All measurements in millimeter.

All measurements with ±5 mm tolerance.

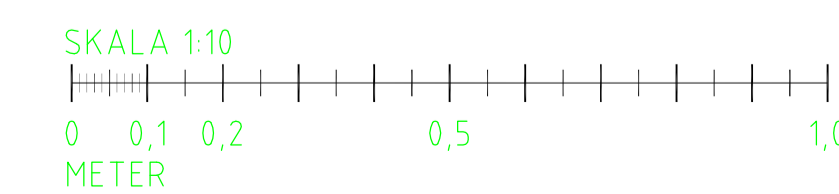
ISO, SE VIEW



ISO, NW VIEW



REV	REVISION TYPE	DATE	SIGN
PHASE			
MEASUREMENT DRAWING			
KVP SERIES Q123KVP to Q144KVP			
QVANTUM ENERGI AB Ringugnsgatan 12 216 16 Limhamn, Sweden <a href="http://www.qvantum.com">www.qvantum.com</a>			
A	XXX	phone XXX-XXX	fax XXX-XXX
K	XXX	phone XXX-XXX	fax XXX-XXX
E	XXX	phone XXX-XXX	fax XXX-XXX
V	XXX	phone XXX-XXX	fax XXX-XXX
SPR	XXX	phone XXX-XXX	fax XXX-XXX
BR	XXX	phone XXX-XXX	fax XXX-XXX
M	XXX	phone XXX-XXX	fax XXX-XXX
HP	Qvantum Energi AB	phone +46 10 332 00 50	fax XXX-XXX
PROJECT NUMBER		DRAWN BY	MANAGED BY
-		J.E.	
DATE		APPROVED BY	
2023-10-02			
QVANTUM ENERGI AB KVP SERIES HEAT PUMPS MEASUREMENT DRAWING			
SCALE	DRAWING NUMBER	REV	
1:10 (A1) 1:20 (A3)	Q-KVP-123-144-001		



Subject to possible printing errors.

# QVANTUM HEAT PUMPS

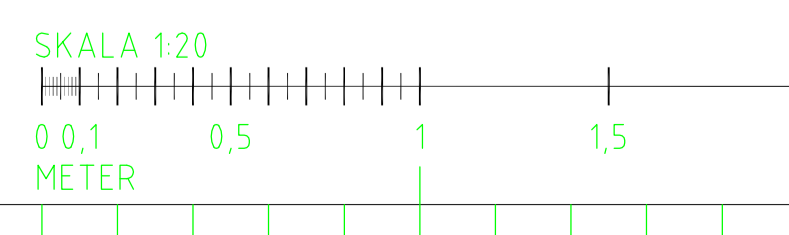
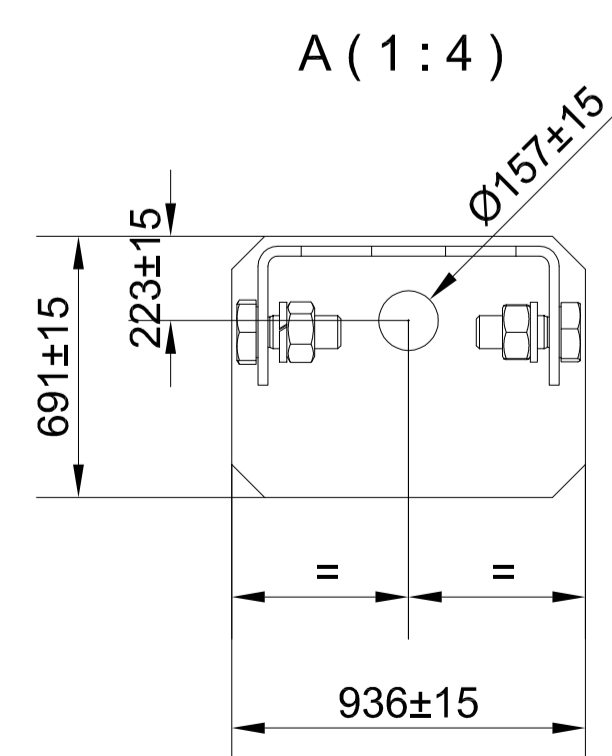
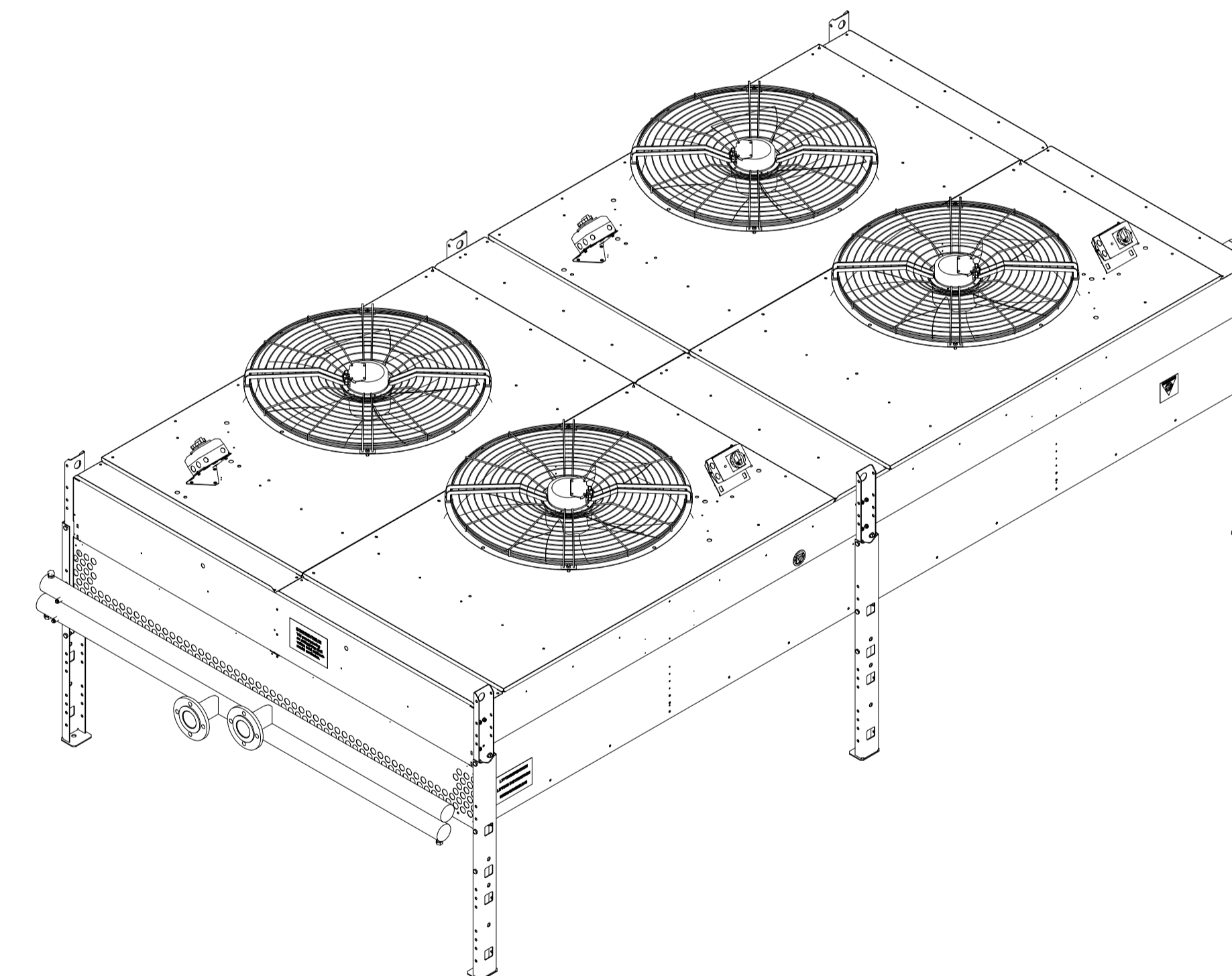
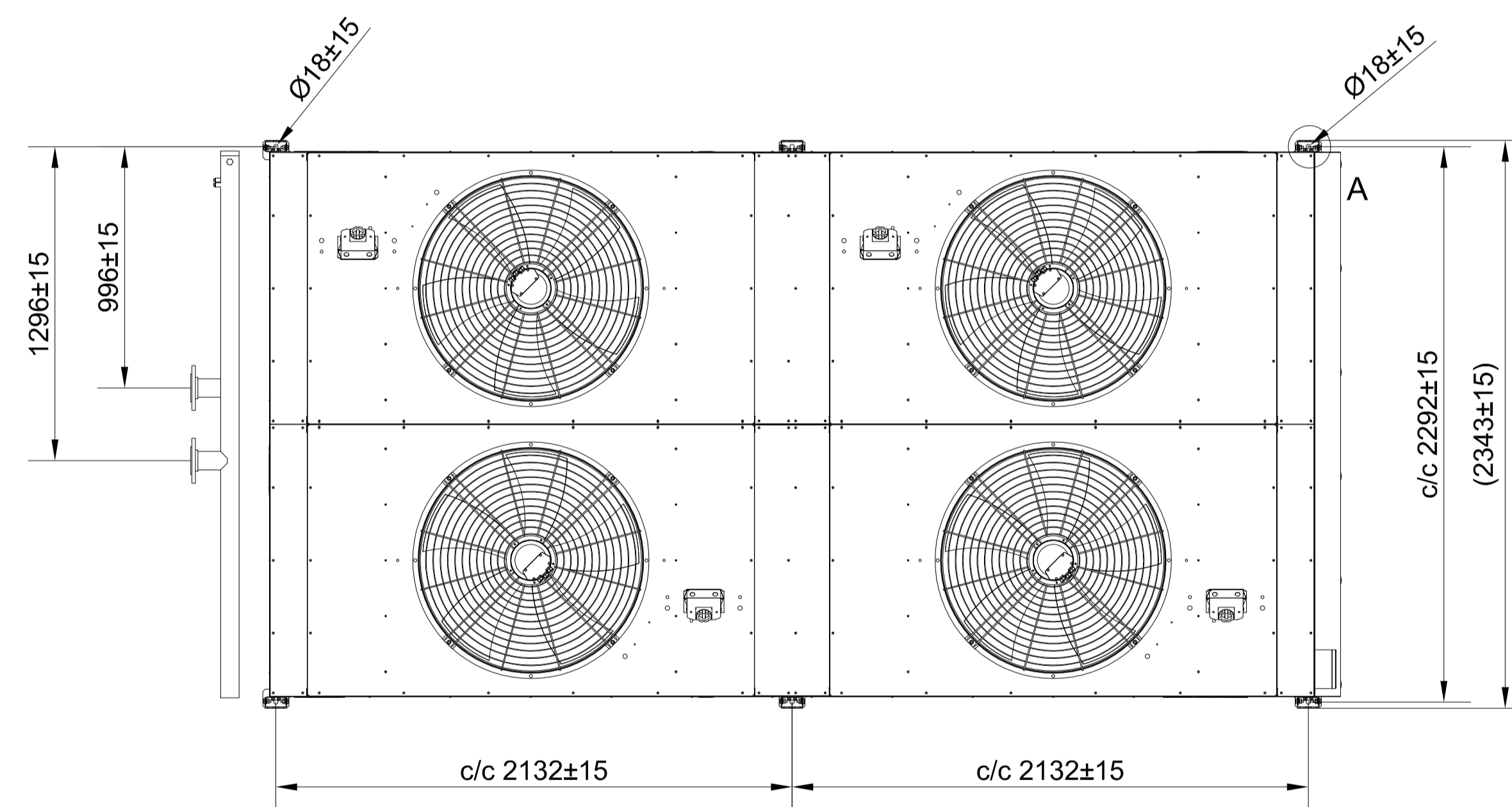
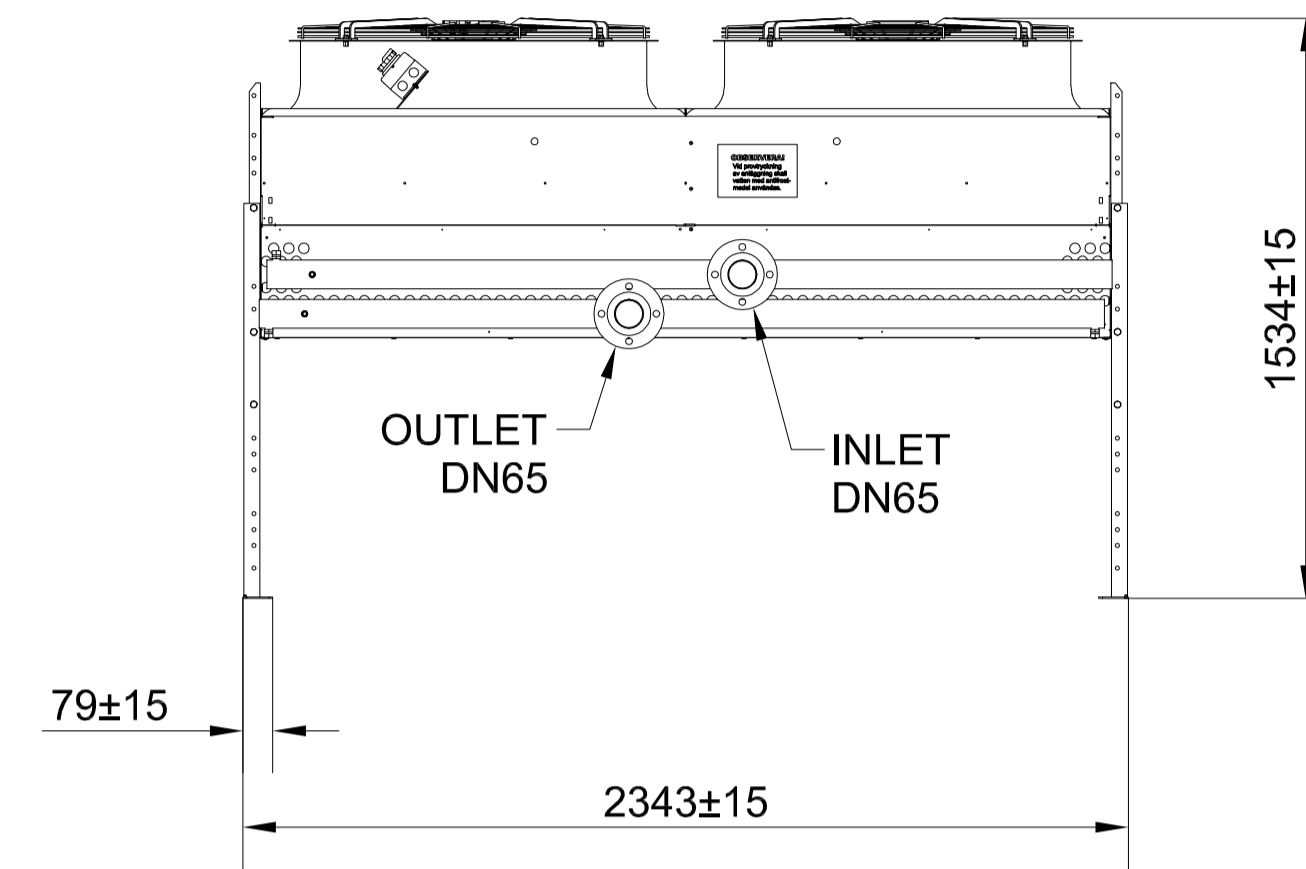
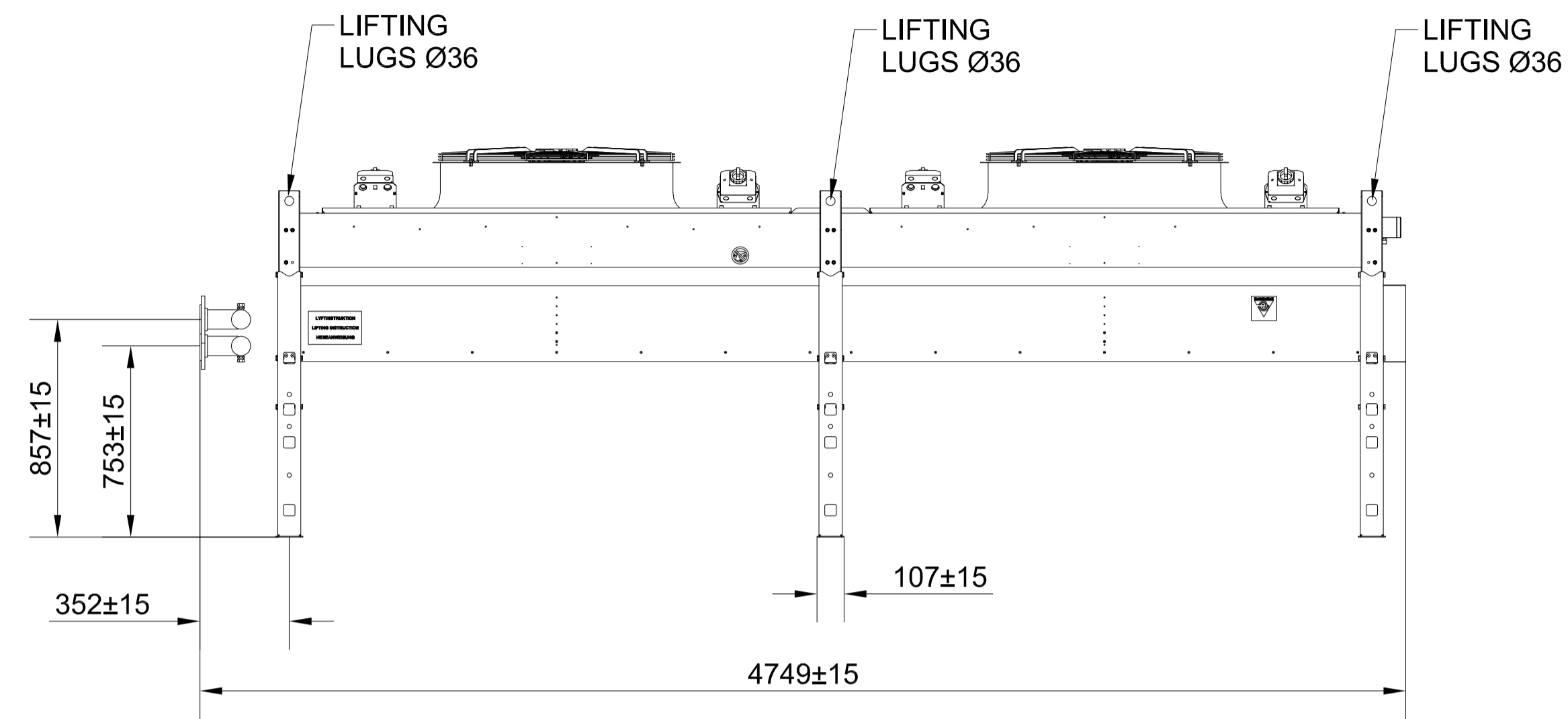
Drawing refers to Fan Unit for Qvantum KVP series Heat Pumps.

**MODEL RANGE**  
Fan Unit for Qvantum Q144KVP.

**CONNECTION PLACEMENT**  
Left side connection.

**CONNECTION SIZES**  
OUTLET: DN65  
INLET: DN65

All measurements in millimeter.  
All measurements with ±15 mm tolerance.



REV	REVISION TYPE	DATE	SIGN
PHASE MEASUREMENT DRAWING			
Fan Unit for Q144KVP			
QVANTUM ENERGI AB Ringugnsgatan 12 216 16 Limhamn, Sweden <a href="http://www.quantum.com">www.quantum.com</a>			
A	XXX	phone XXX-XXXX	fax XXX-XXXX
K	XXX	phone XXX-XXXX	fax XXX-XXXX
E	XXX	phone XXX-XXXX	fax XXX-XXXX
V	XXX	phone XXX-XXXX	fax XXX-XXXX
SPR	XXX	phone XXX-XXXX	fax XXX-XXXX
BR	XXX	phone XXX-XXXX	fax XXX-XXXX
M	XXX	phone XXX-XXXX	fax XXX-XXXX
HP	Qvantum Energi AB	phone +46 10 332 00 50	fax XXX-XXXX
PROJECT NUMBER		DRAWN BY	MANAGED BY
-		J.E.	J.E.
DATE		APPROVED BY	
2023-05-04		J.E.	
QVANTUM ENERGI AB			
FAN UNIT FOR QVANTUM Q144KVP			
MEASUREMENT DRAWING			
SCALE	DRAWING NUMBER	REV	
1:20 (A1) 1:40 (A3)	Q-KVP-144-FU-001		

Subject to possible printing errors.

LAGER: SB11

P.L.O. 2023-05-04 20:04 J:\QVANTUM\QVANTUM\INTERNT\05 RINGUGN\QVANTUM\MOD\SERIE KVP\DWG\Q144KVP.DWG JONAS

# QVANTUM HEAT PUMPS

Drawing refers to Qvantum KVP Modules.

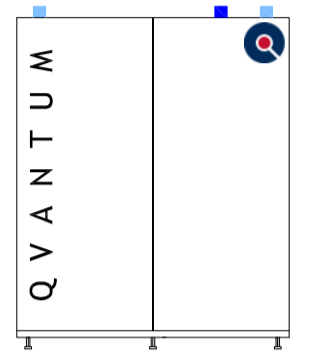
**MODEL RANGE**  
Module for Q123KVP & Q144KVP.

**CONNECTION PLACEMENT**  
Back side and top connection.

**CONNECTION SIZES**  
All connections: Cu54.0 mm

**INLET & OUTLET**

- 1. Inlet from fan unit
- 2. Outlet to fan unit
- 5. Outlet to heat pump
- 6. Inlet from heat pump
- 9. Inlet from heat system
- 10. Outlet to heat pump
- 3. Inlet from cold tanks
- 4. Outlet to cold tanks

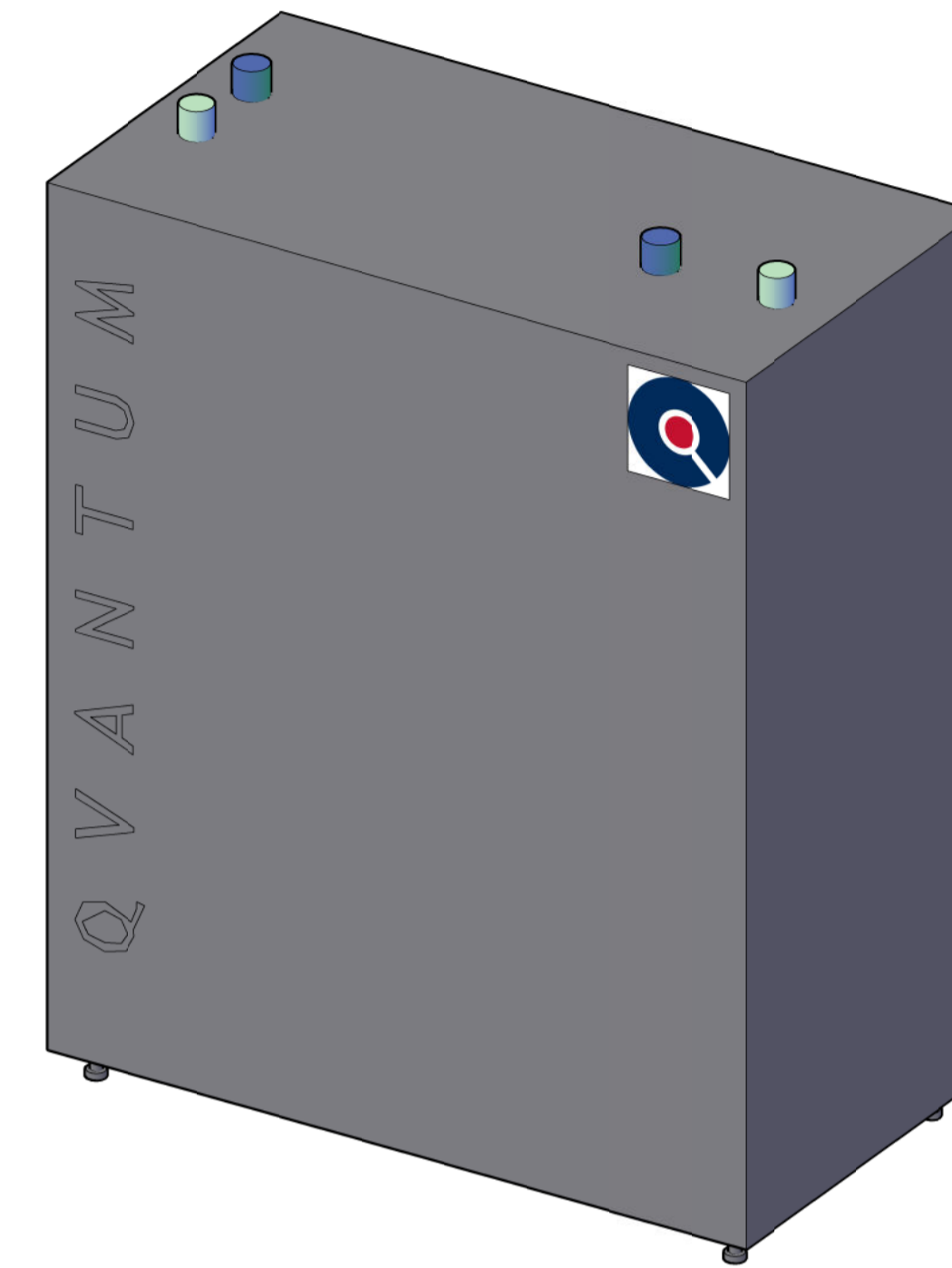


All components inside heat pump are available from front.

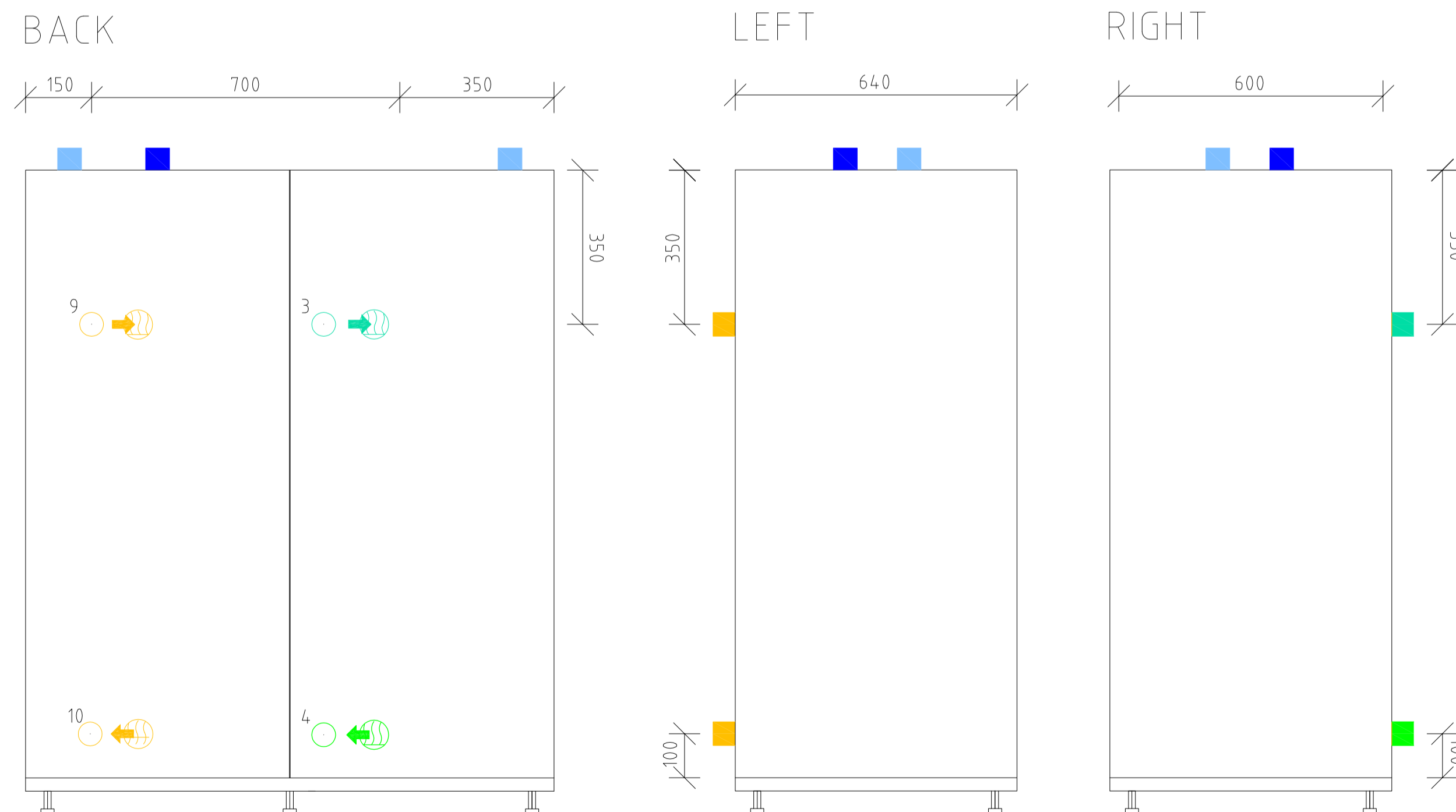
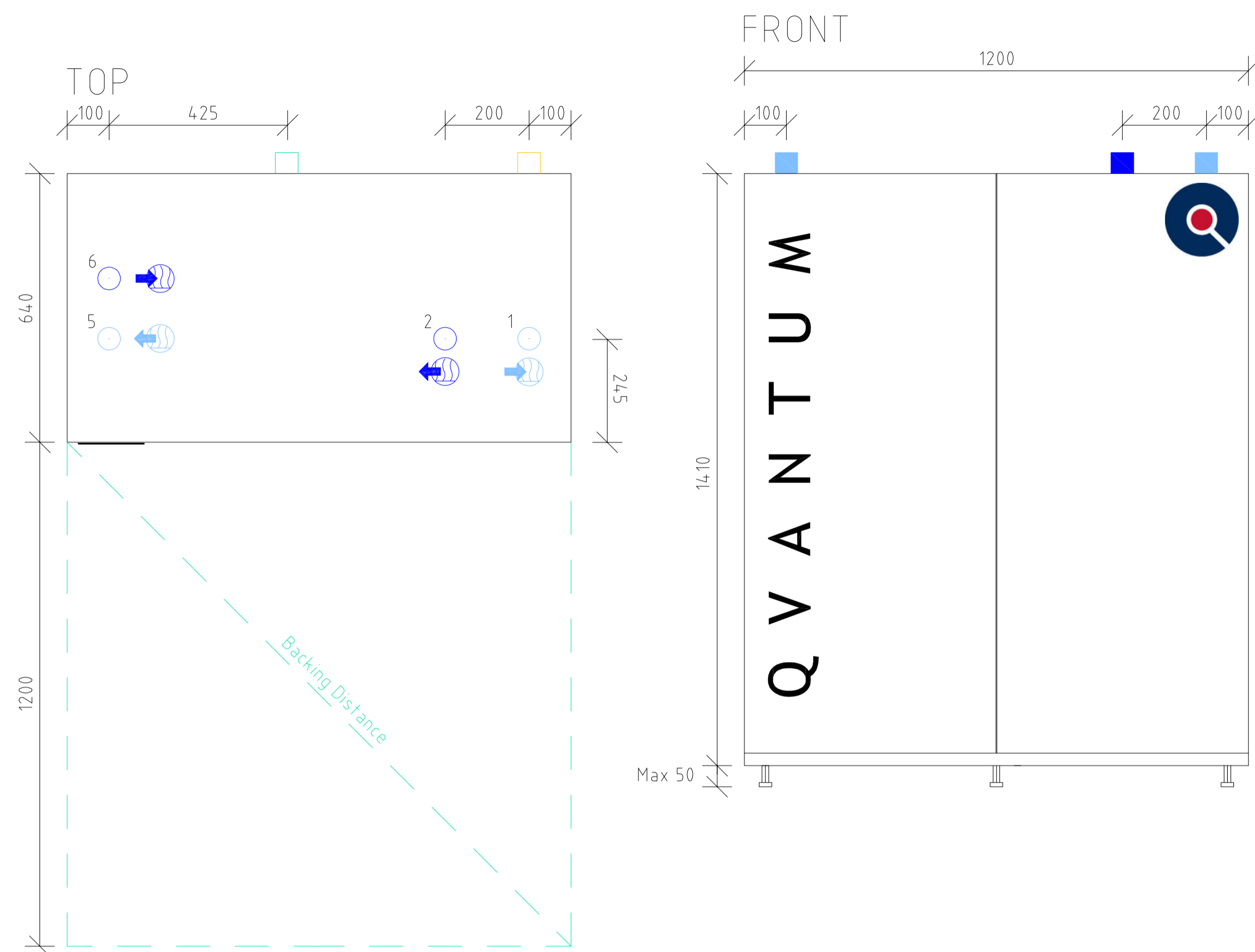
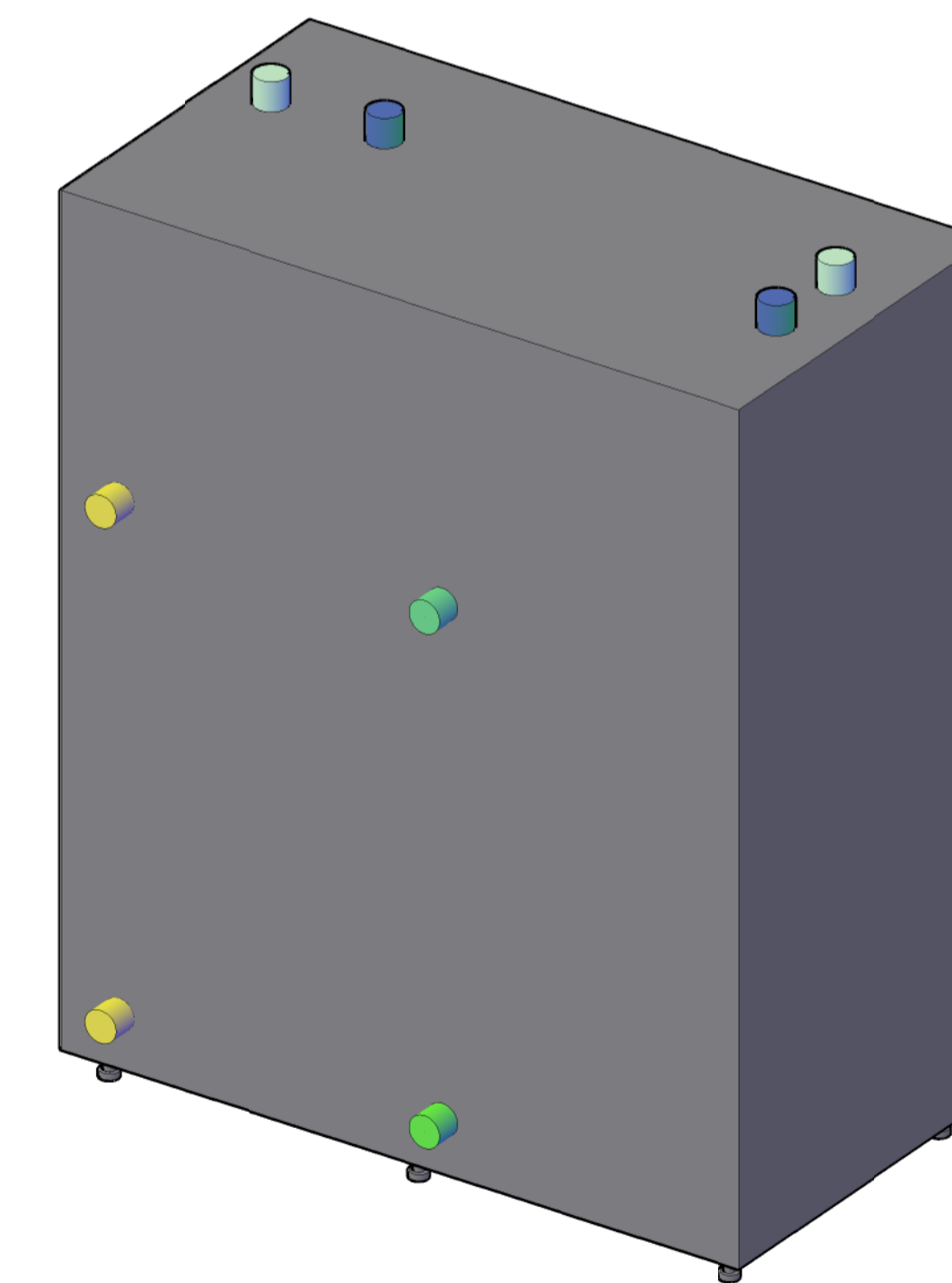
All measurements in millimeter.

All measurements with ±5 mm tolerance.

ISO, SE VIEW



ISO, NW VIEW



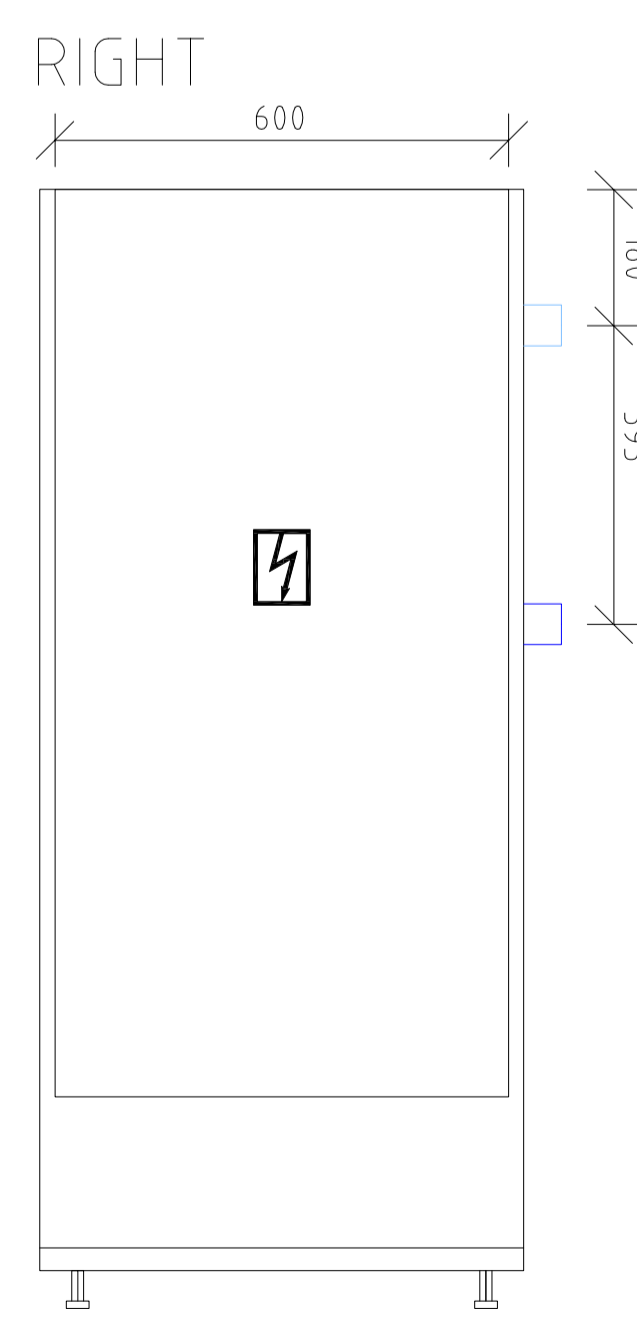
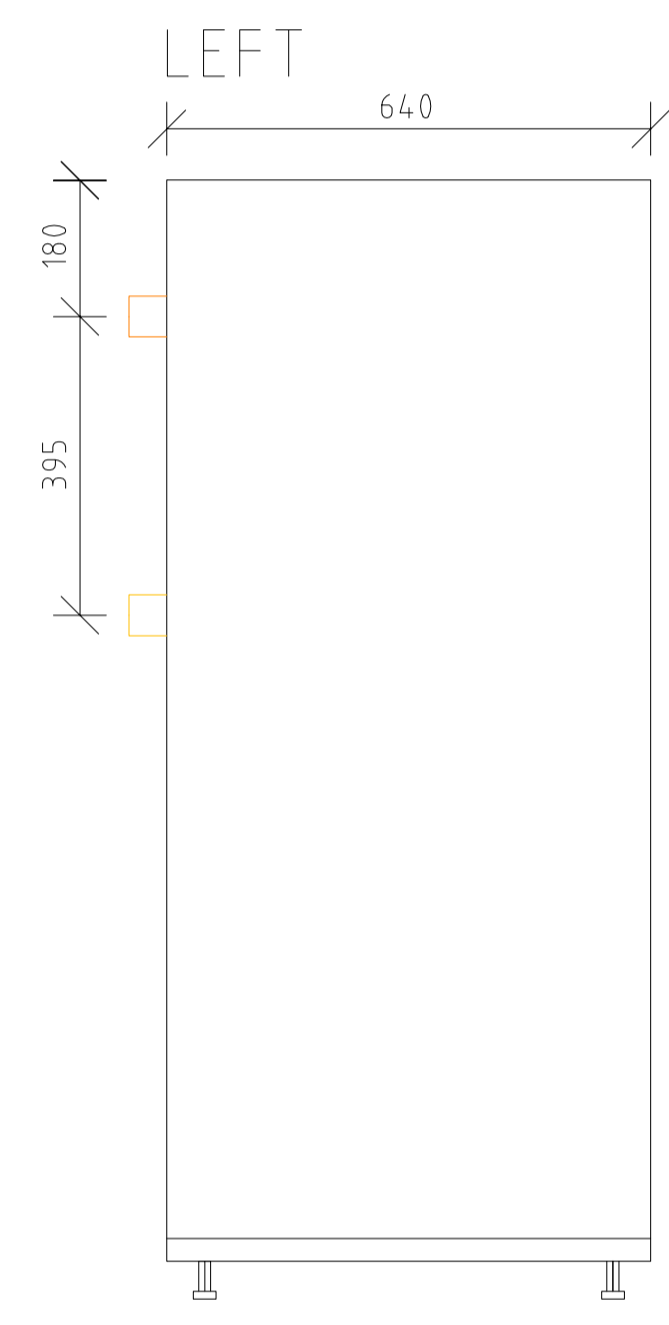
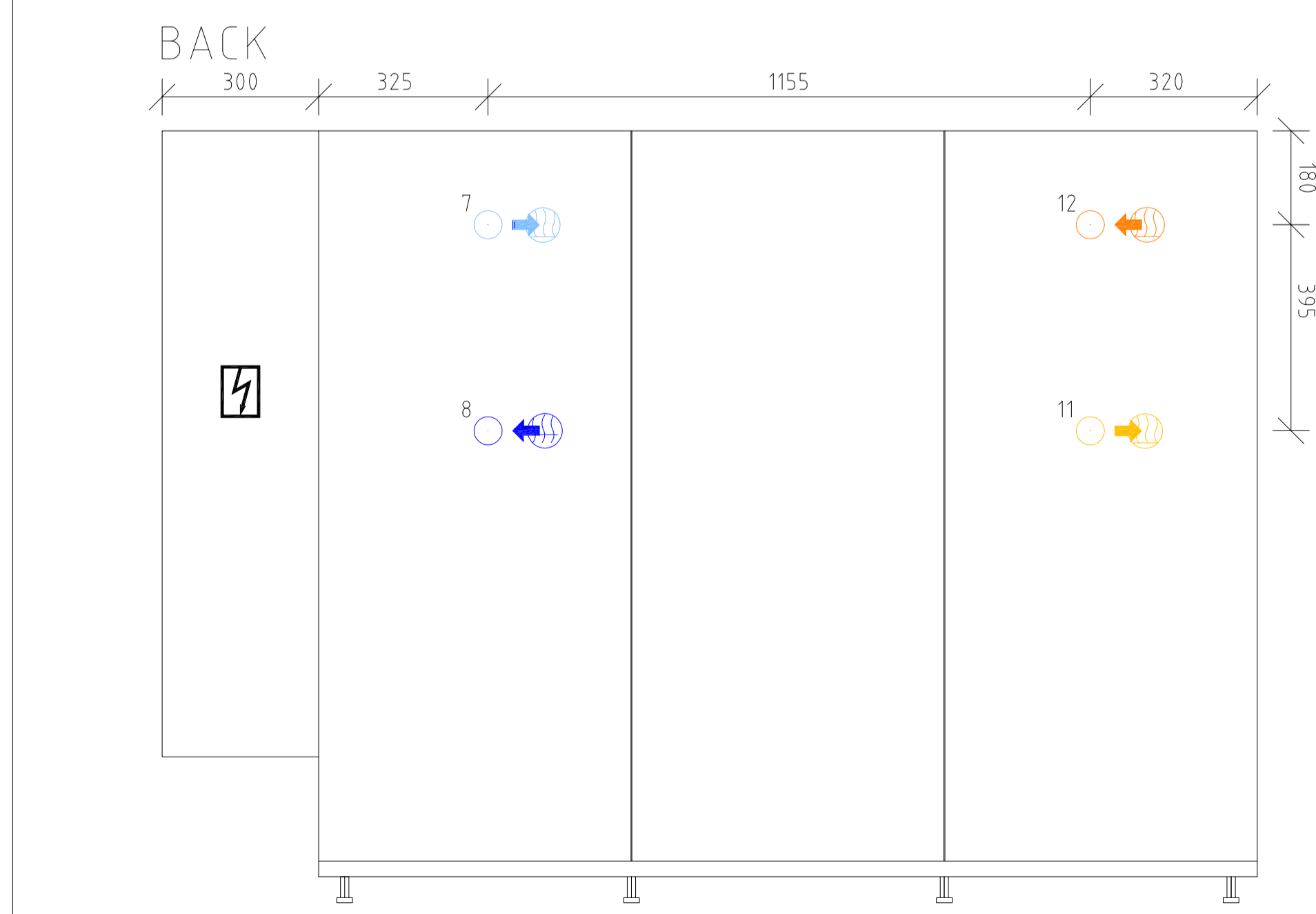
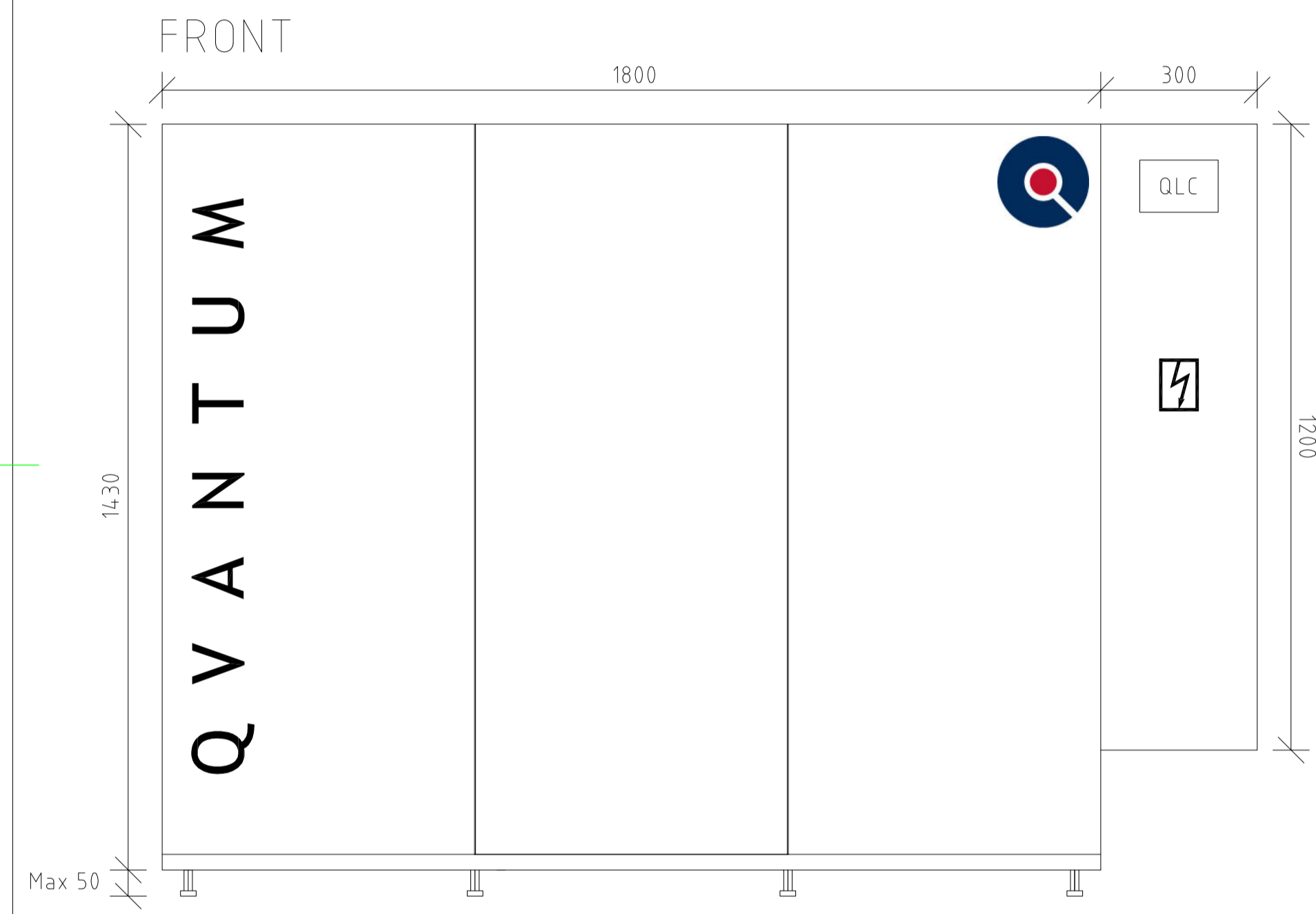
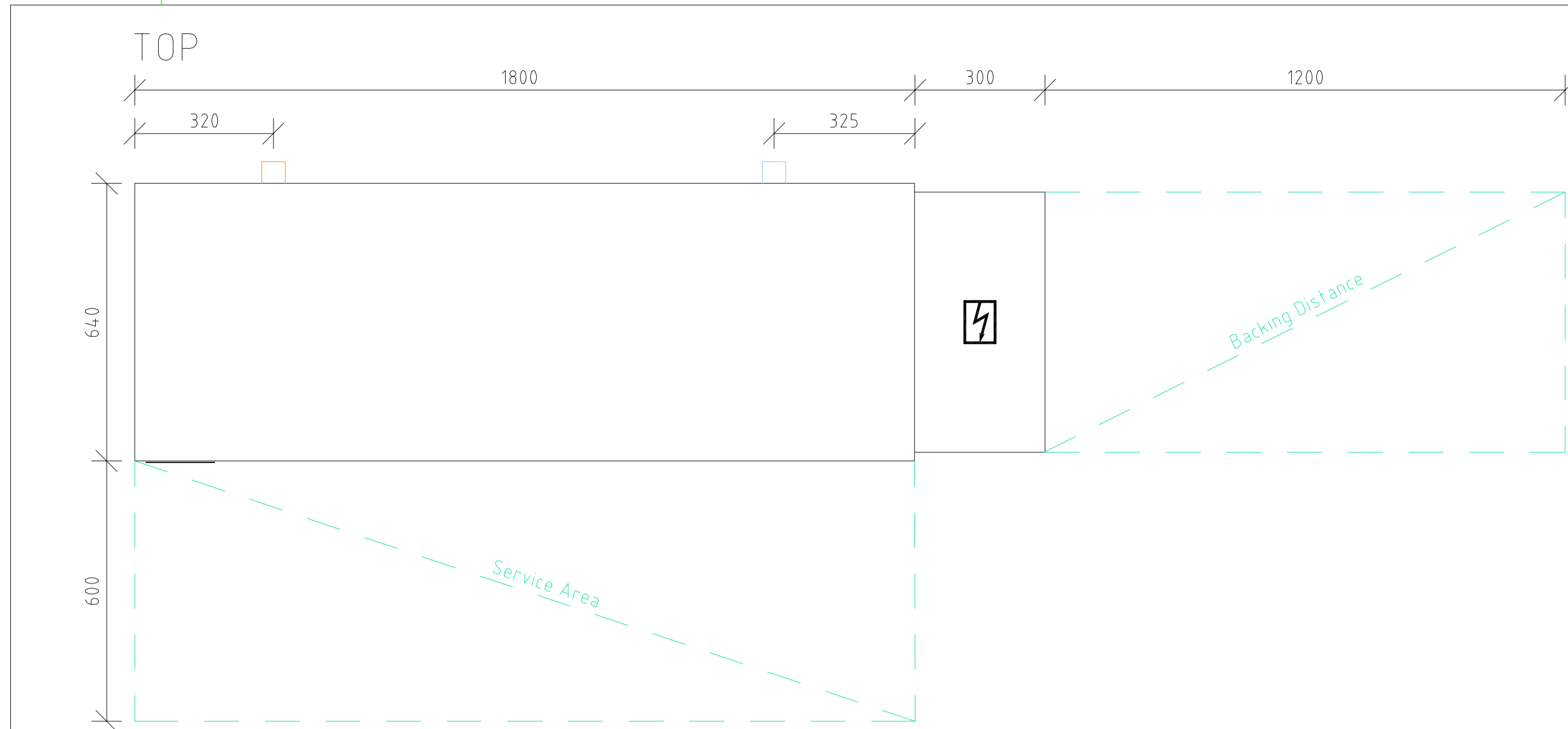
REV	REVISION TYPE	DATE	SIGN
PHASE MEASUREMENT DRAWING			
<h2>KVP SERIES</h2> <p>Module for Q123KVP &amp; Q144KVP</p>			
QVANTUM ENERGI AB Ringugnsgatan 12 216 16 Limhamn, Sweden <a href="http://www.qvantum.com">www.qvantum.com</a>			
A	XXX	phone XXX-XXXX	fax XXX-XXXX
K	XXX	phone XXX-XXXX	fax XXX-XXXX
E	XXX	phone XXX-XXXX	fax XXX-XXXX
V	XXX	phone XXX-XXXX	fax XXX-XXXX
SPR	XXX	phone XXX-XXXX	fax XXX-XXXX
BR	XXX	phone XXX-XXXX	fax XXX-XXXX
M	XXX	phone XXX-XXXX	fax XXX-XXXX
HP	Qvantum Energi AB	phone +46 10 332 00 50	fax XXX-XXXX
PROJECT NUMBER -		DRAWN BY J.E.	MANAGED BY
DATE 2023-10-02		APPROVED BY	
QVANTUM ENERGI AB KVP SERIES - MODULE MEASUREMENT DRAWING			
SCALE 1:10 (A1) 1:20 (A3)	DRAWING NUMBER Q-KVP-123-144-M-001		REV



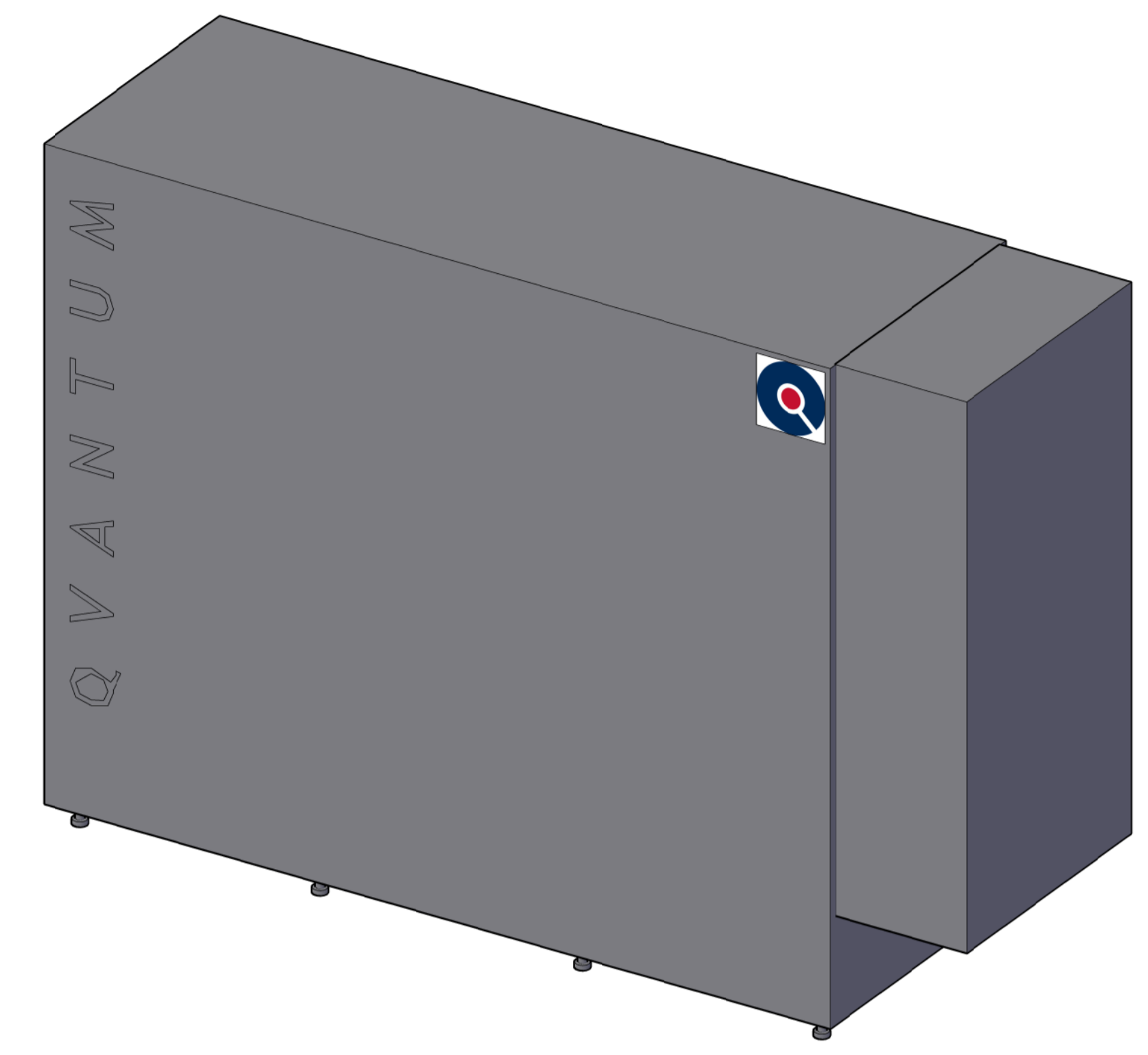
Subject to possible printing errors.

LAGER: SB11

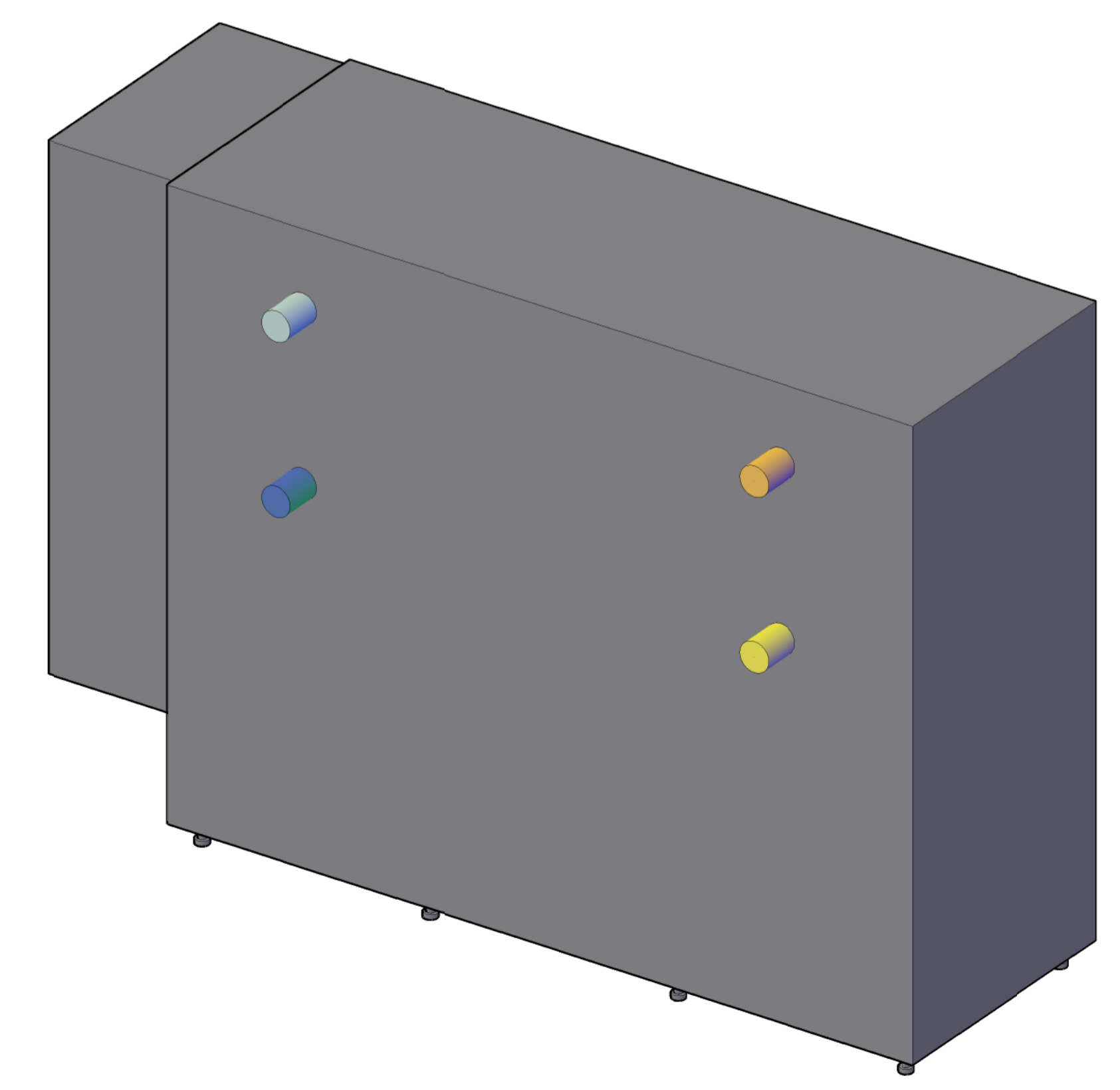
PLO: 2023-10-02 02:36 J:\QVANTUM\01\INTERN\05\RINGUGN\MOD\SERIE KVP\DWG\_JONAS



ISO, SE VIEW



ISO, NW VIEW



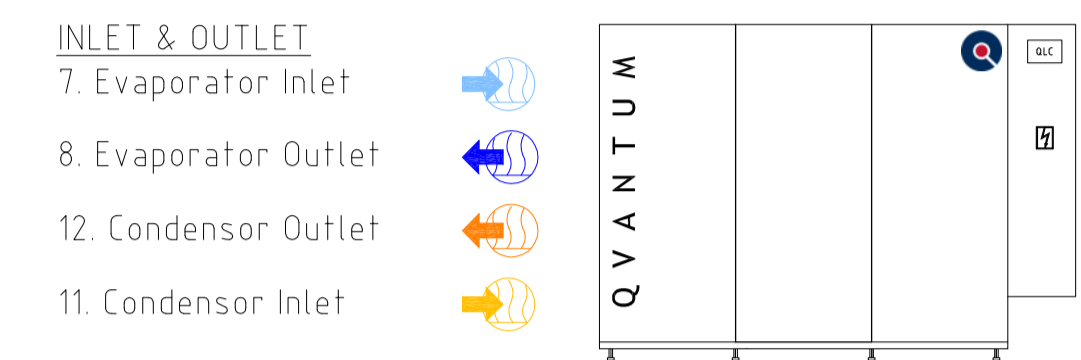
QVANTUM HEAT PUMPS

Drawing refers to Quantum KVP series Heat Pumps.

MODEL RANGE  
Q162KVP to Q192KVP.

CONNECTION PLACEMENT  
Back side connection.

CONNECTION SIZES  
Q162KVP and Q192KVP  
Condensator - DN65 ext thread  
Evaporator - DN65 ext thread



⚡ Power Supply.

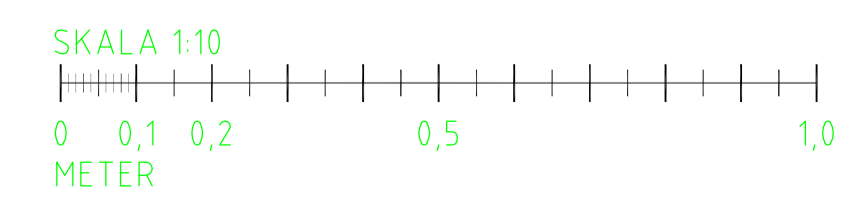
Electric Cabinet can be placed on either side.

All components inside heat pump are available from front.

All measurements in millimeter.

All measurements with ±5 mm tolerance.

REV	REVISION TYPE	DATE	SIGN
PHASE MEASUREMENT DRAWING			
KVP SERIES Q162KVP to Q192KVP			
QVANTUM ENERGI AB Ringugnsgatan 12 216 16 Limhamn, Sweden <a href="http://www.quantum.com">www.quantum.com</a>			
A	XXX	phone XXX-XXXX	fax XXX-XXXX
K	XXX	phone XXX-XXXX	fax XXX-XXXX
E	XXX	phone XXX-XXXX	fax XXX-XXXX
V	XXX	phone XXX-XXXX	fax XXX-XXXX
SPR	XXX	phone XXX-XXXX	fax XXX-XXXX
BR	XXX	phone XXX-XXXX	fax XXX-XXXX
M	XXX	phone XXX-XXXX	fax XXX-XXXX
HP	Quantum Energi AB	phone +46 10 332 00 50	fax XXX-XXXX
PROJECT NUMBER	DRAWN BY J.E.		MANAGED BY
DATE	2023-10-02		APPROVED BY
QVANTUM ENERGI AB KVP SERIES HEAT PUMPS MEASUREMENT DRAWING			
SCALE	1:10 (A1)	REV	
	1:20 (A3)	Q-KVP-162-192-001	



Subject to possible printing errors.  
LAGER: SB11

# QVANTUM HEAT PUMPS

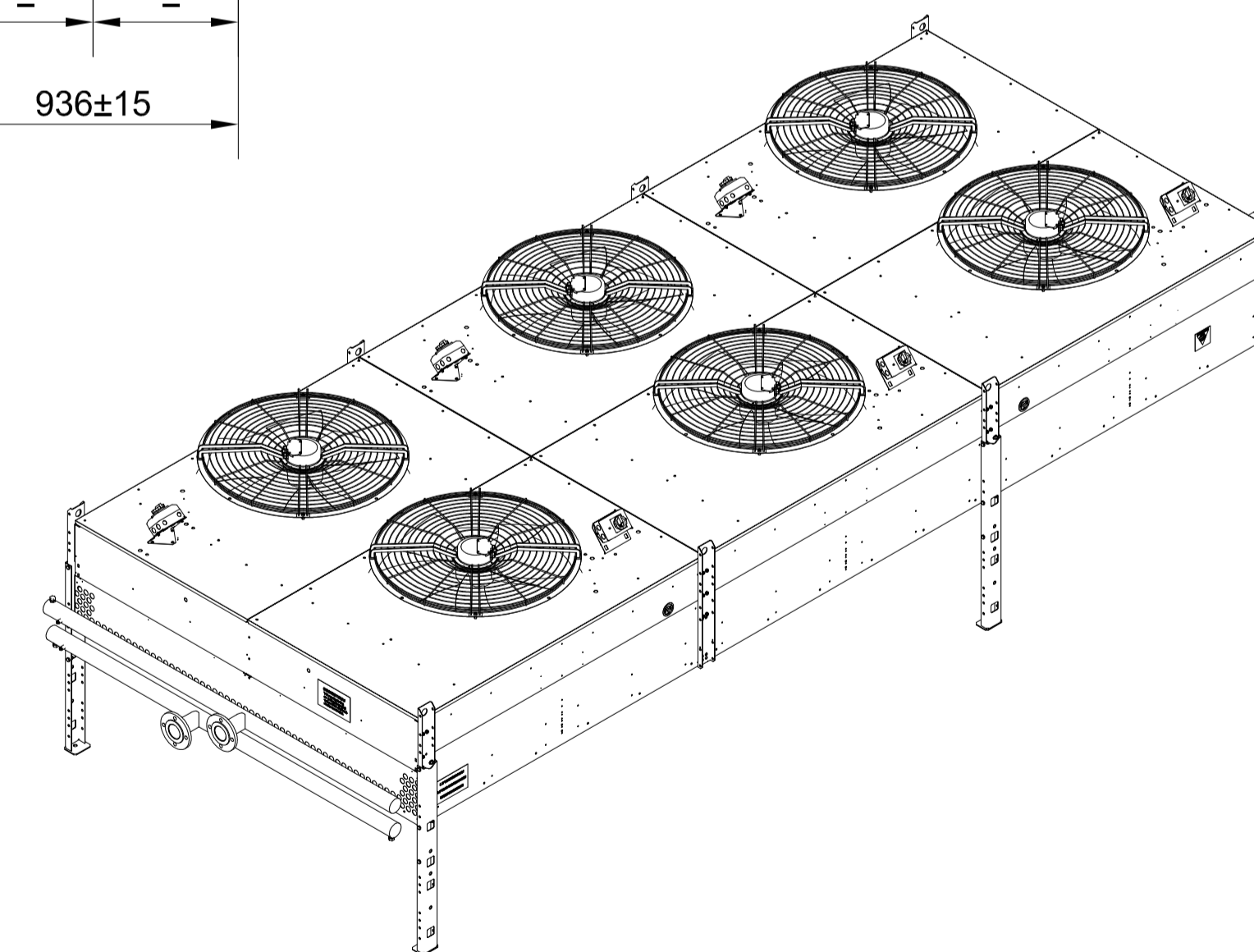
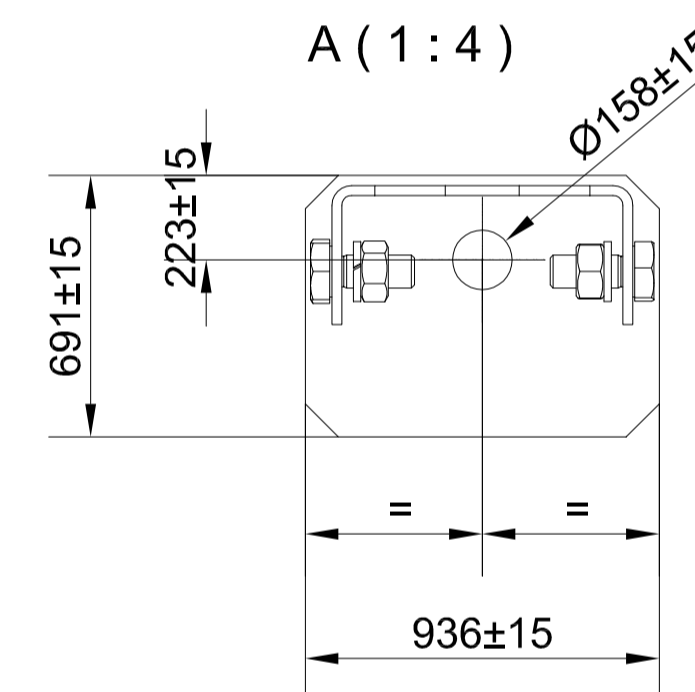
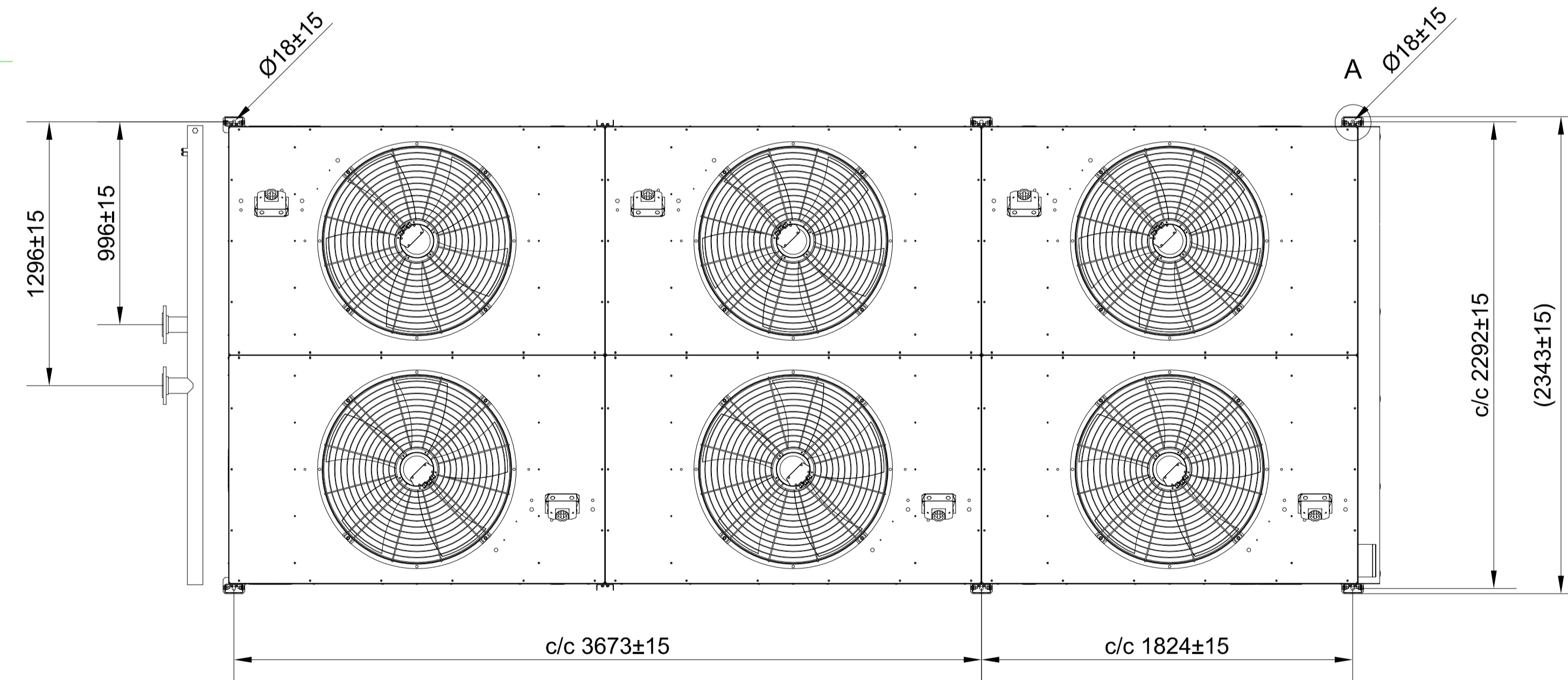
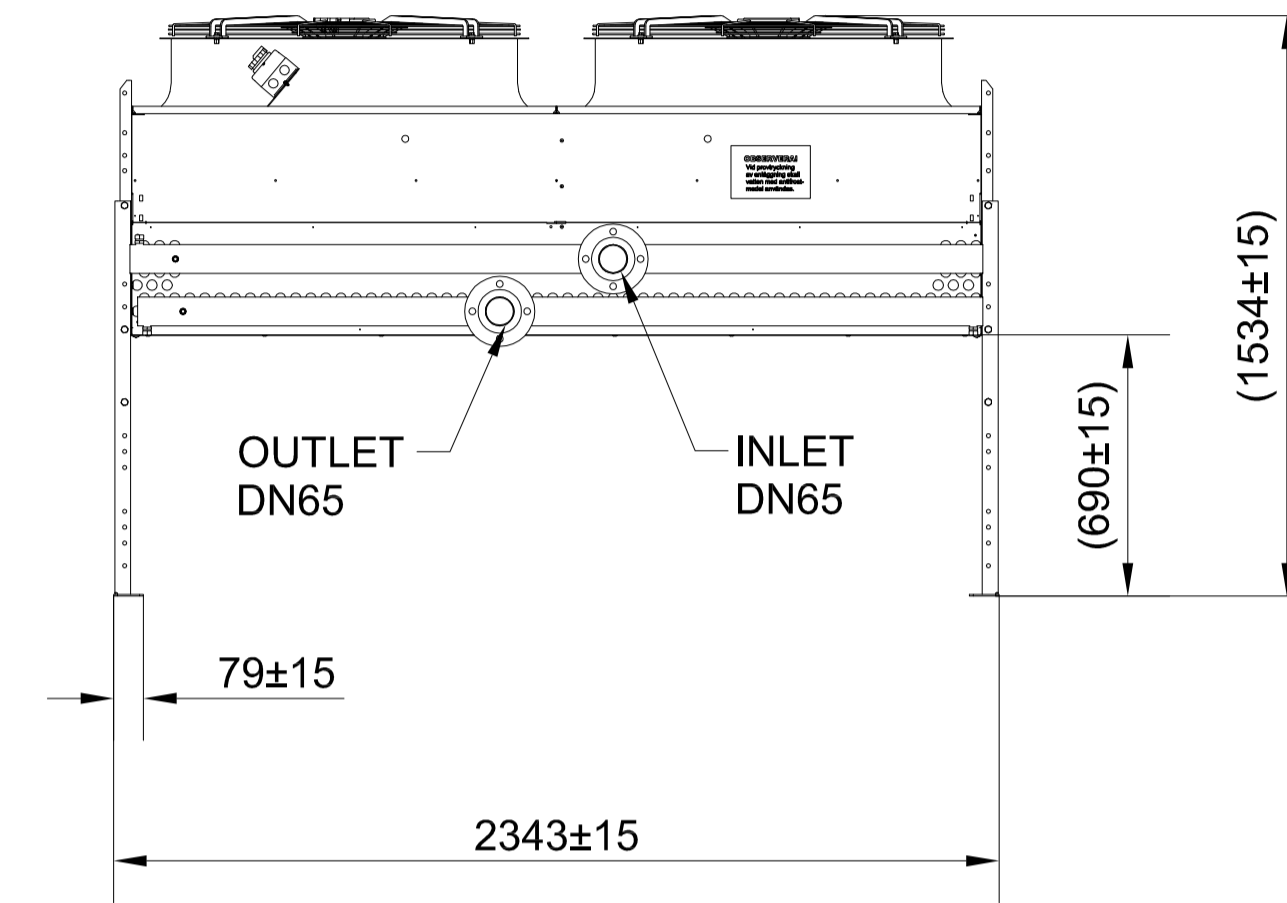
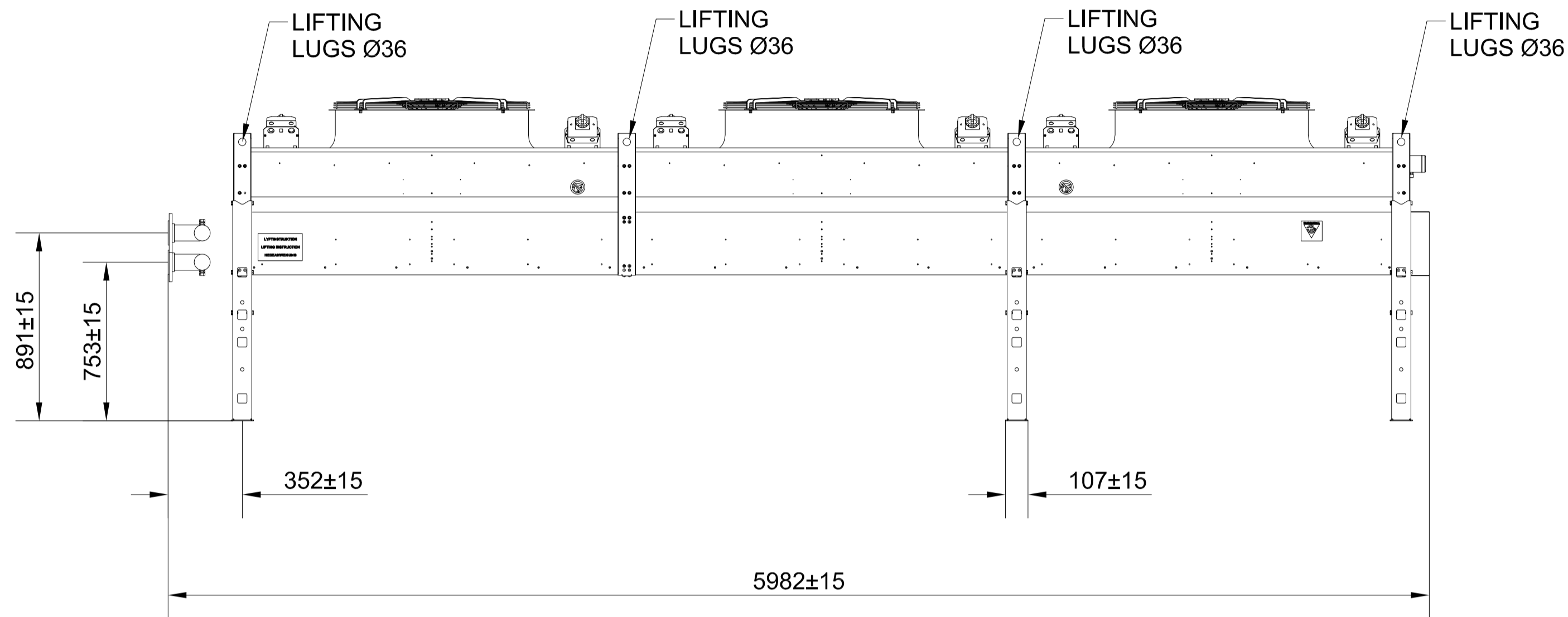
Drawing refers to Fan Unit for Qvantum KVP series Heat Pumps.

**MODEL RANGE**  
Fan Unit for Qvantum Q162KVP.

**CONNECTION PLACEMENT**  
Left side connection.

**CONNECTION SIZES**  
OUTLET: DN65  
INLET: DN65

All measurements in millimeter.  
All measurements with ±15 mm tolerance.



REV	REVISION TYPE	DATE	SIGN
PHASE	MEASUREMENT DRAWING		

Fan Unit for Q162KVP

QVANTUM ENERGI AB  
Ringugnsgatan 12  
216 16 Limhamn, Sweden  
[www.qvantum.com](http://www.qvantum.com)



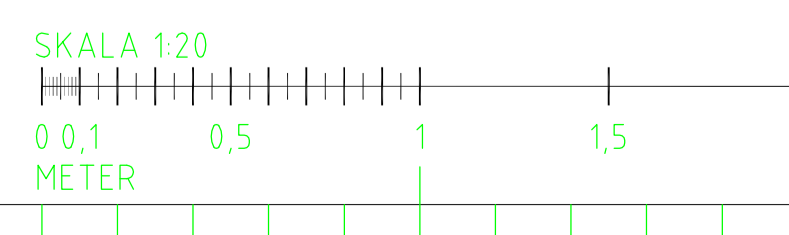
A	XXX	phone XXX-XXXX	fax XXX-XXXX
K	XXX	phone XXX-XXXX	fax XXX-XXXX
E	XXX	phone XXX-XXXX	fax XXX-XXXX
V	XXX	phone XXX-XXXX	fax XXX-XXXX
SPR	XXX	phone XXX-XXXX	fax XXX-XXXX
BR	XXX	phone XXX-XXXX	fax XXX-XXXX
M	XXX	phone XXX-XXXX	fax XXX-XXXX
HP	Qvantum Energi AB	phone +46 10 332 00 50	fax XXX-XXXX

PROJECT NUMBER	DRAWN BY	MANAGED BY
-	J.E.	J.E.

DATE	APPROVED BY
2023-05-04	J.E.

QVANTUM ENERGI AB  
FAN UNIT FOR QVANTUM Q162KVP  
MEASUREMENT DRAWING

SCALE	DRAWING NUMBER	REV
1:20 (A1) 1:40 (A3)	Q-KVP-162-FU-001	



Subject to possible printing errors.

LAGER: SB11

# QVANTUM HEAT PUMPS

Drawing refers to Qvantum KVP Modules.

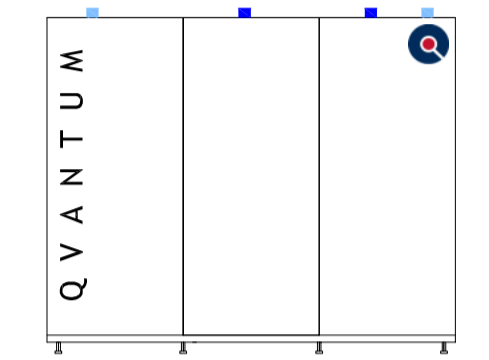
**MODEL RANGE**  
Module for Q162KVP & Q192KVP.

**CONNECTION PLACEMENT**  
Back side and top connection.

**CONNECTION SIZES**  
All connections: Cu54.0 mm

**INLET & OUTLET**

- 1. Inlet from fan unit
- 2. Outlet to fan unit
- 5. Outlet to heat pump
- 6. Inlet from heat pump
- 9. Inlet from heat system
- 10. Outlet to heat pump
- 3. Inlet from cold tanks
- 4. Outlet to cold tanks

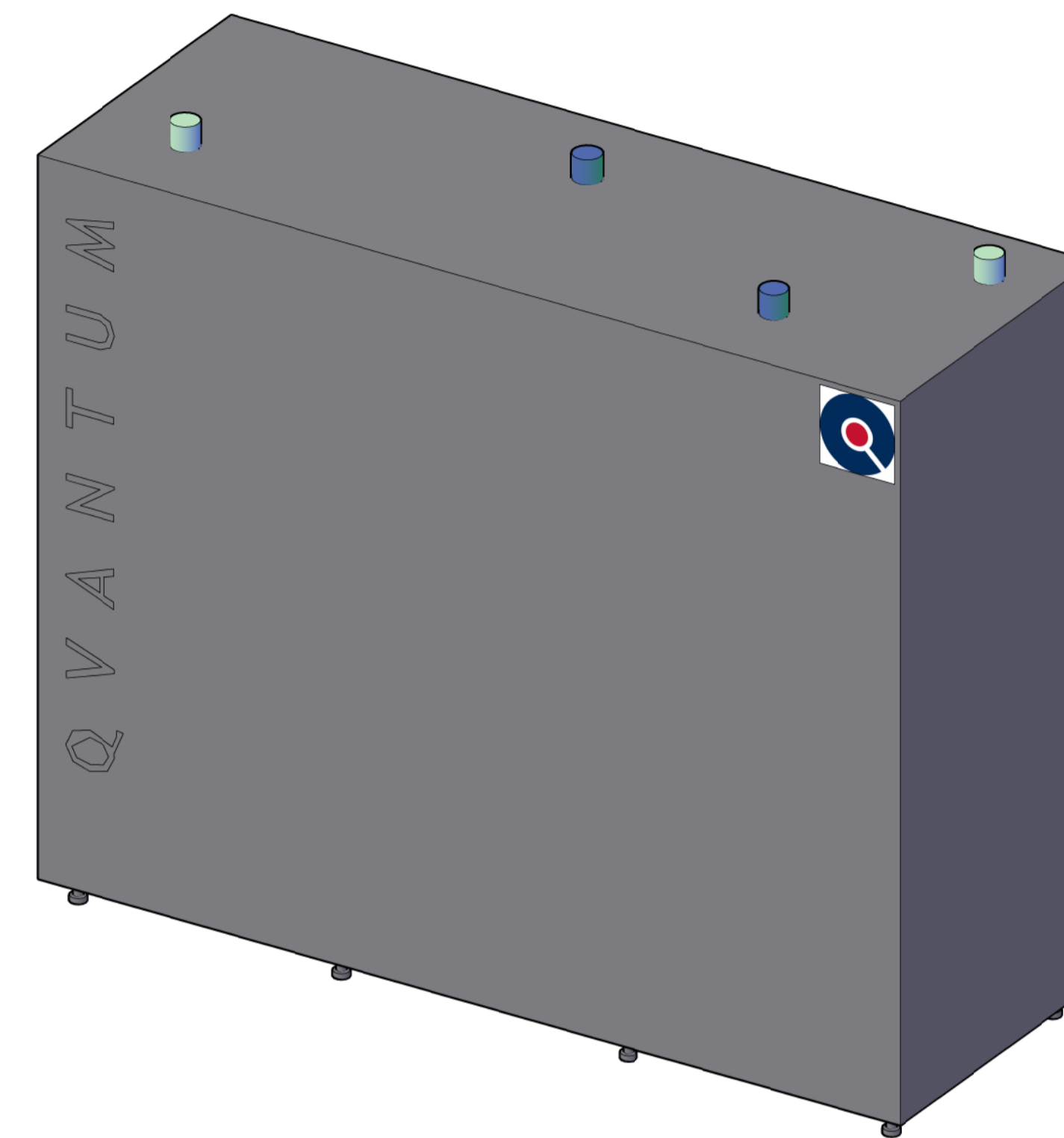


All components inside heat pump are available from front.

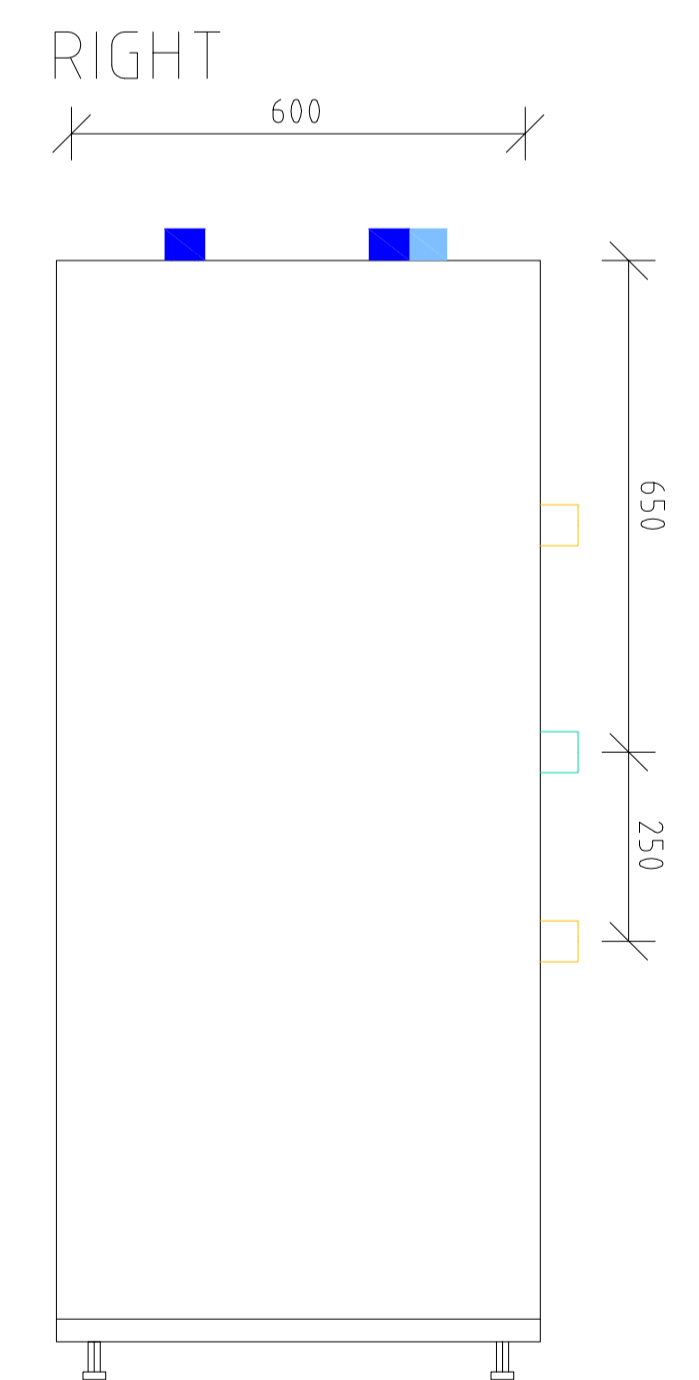
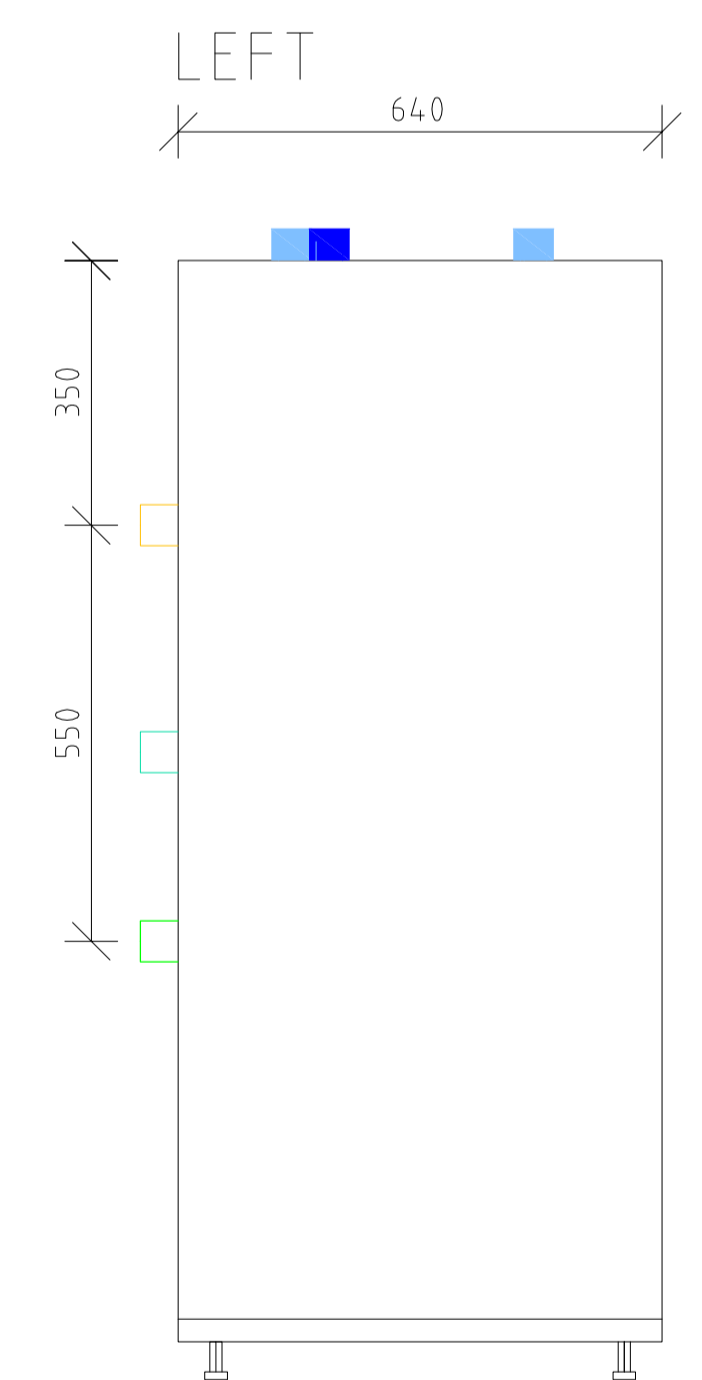
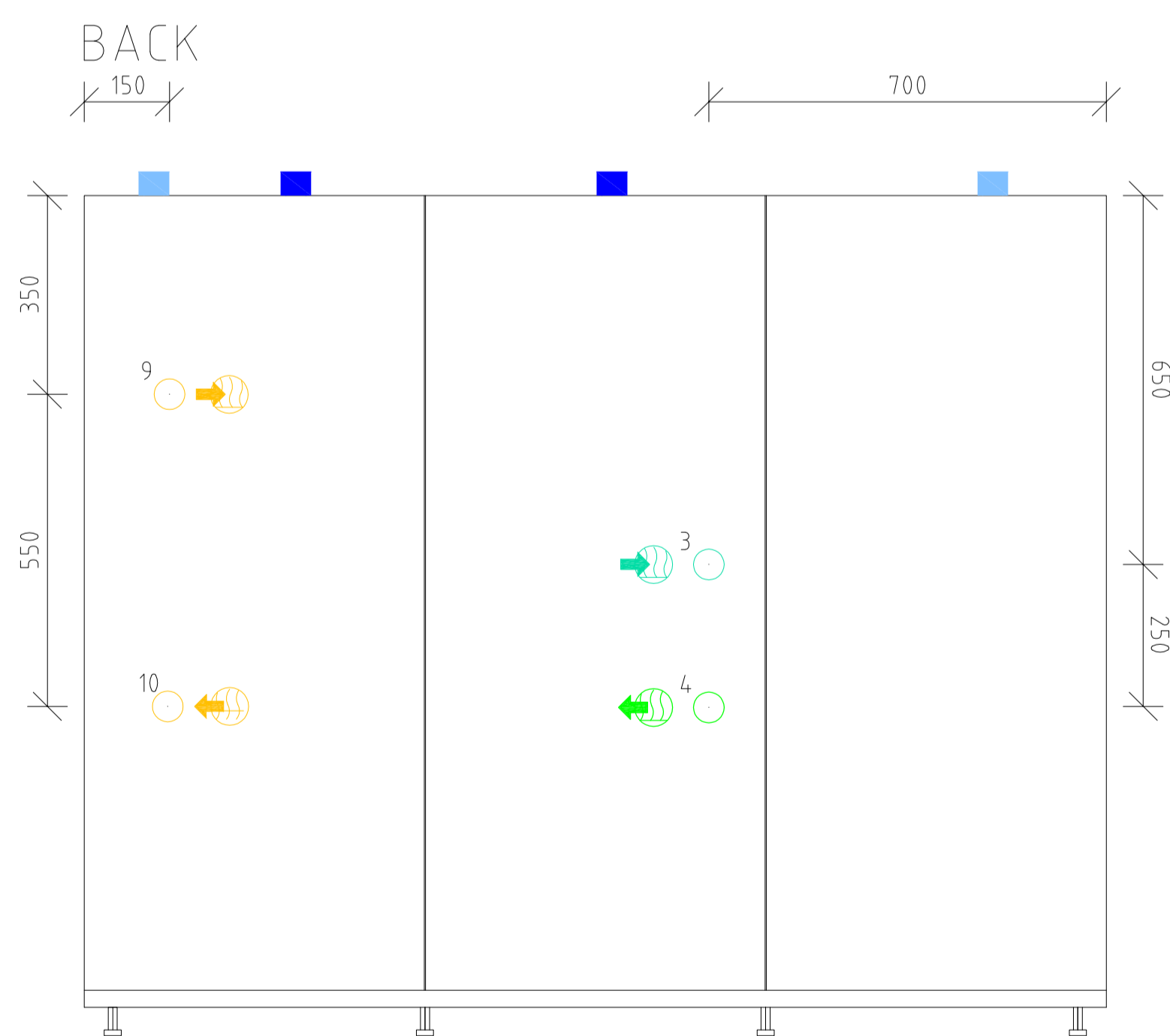
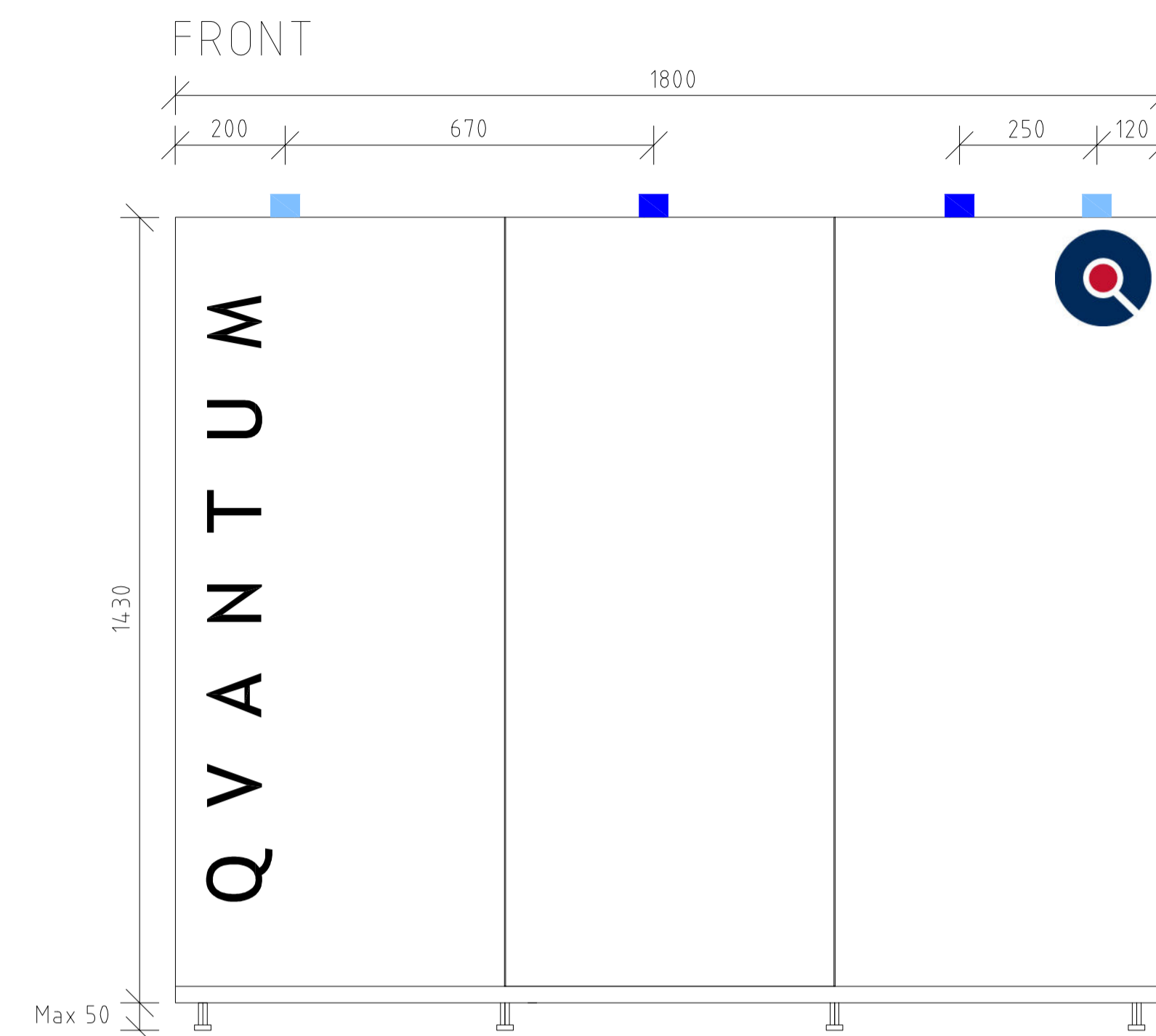
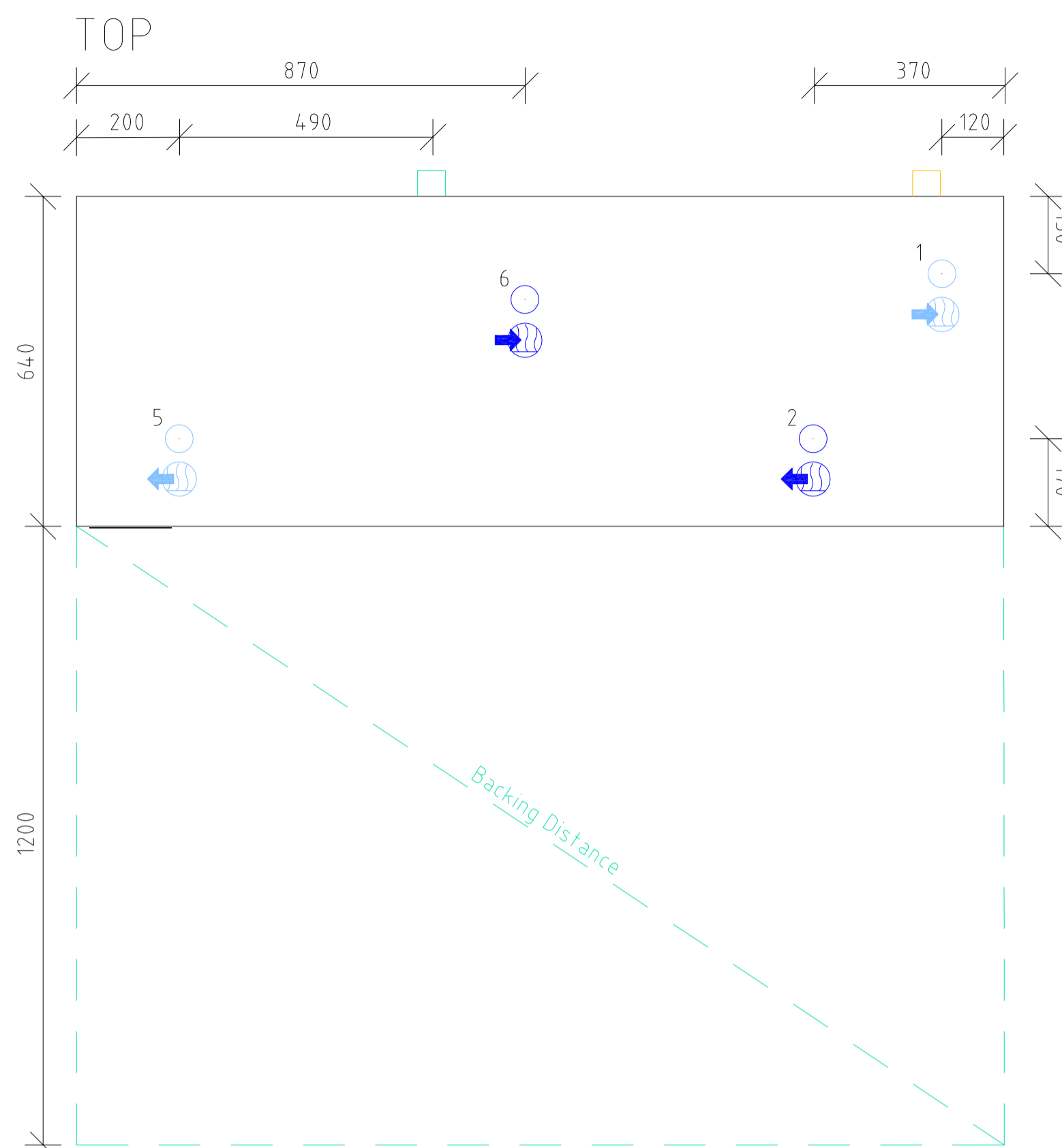
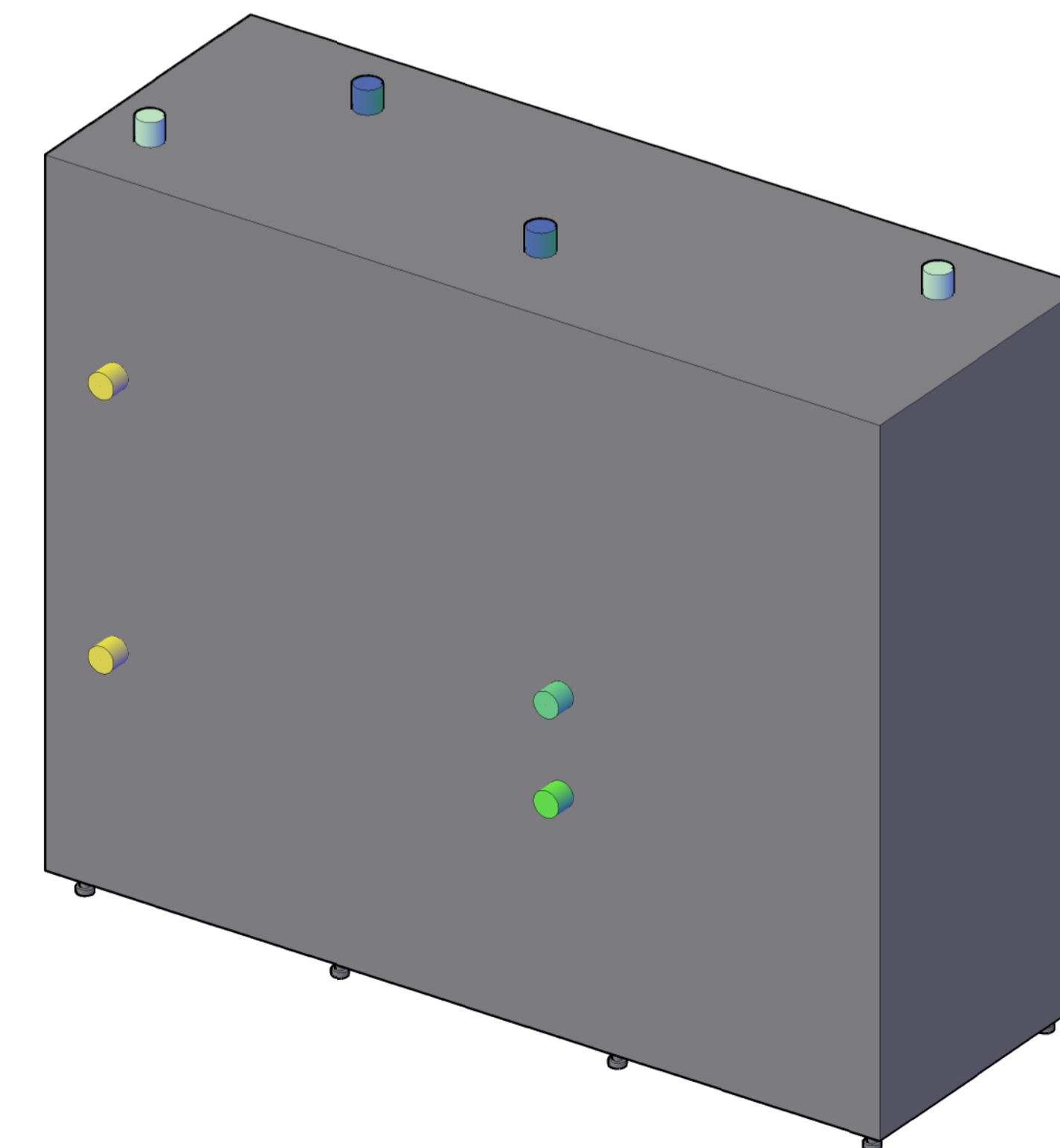
All measurements in millimeter.

All measurements with ±5 mm tolerance.

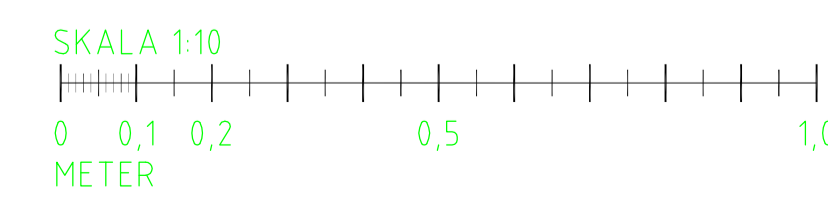
ISO, SE VIEW



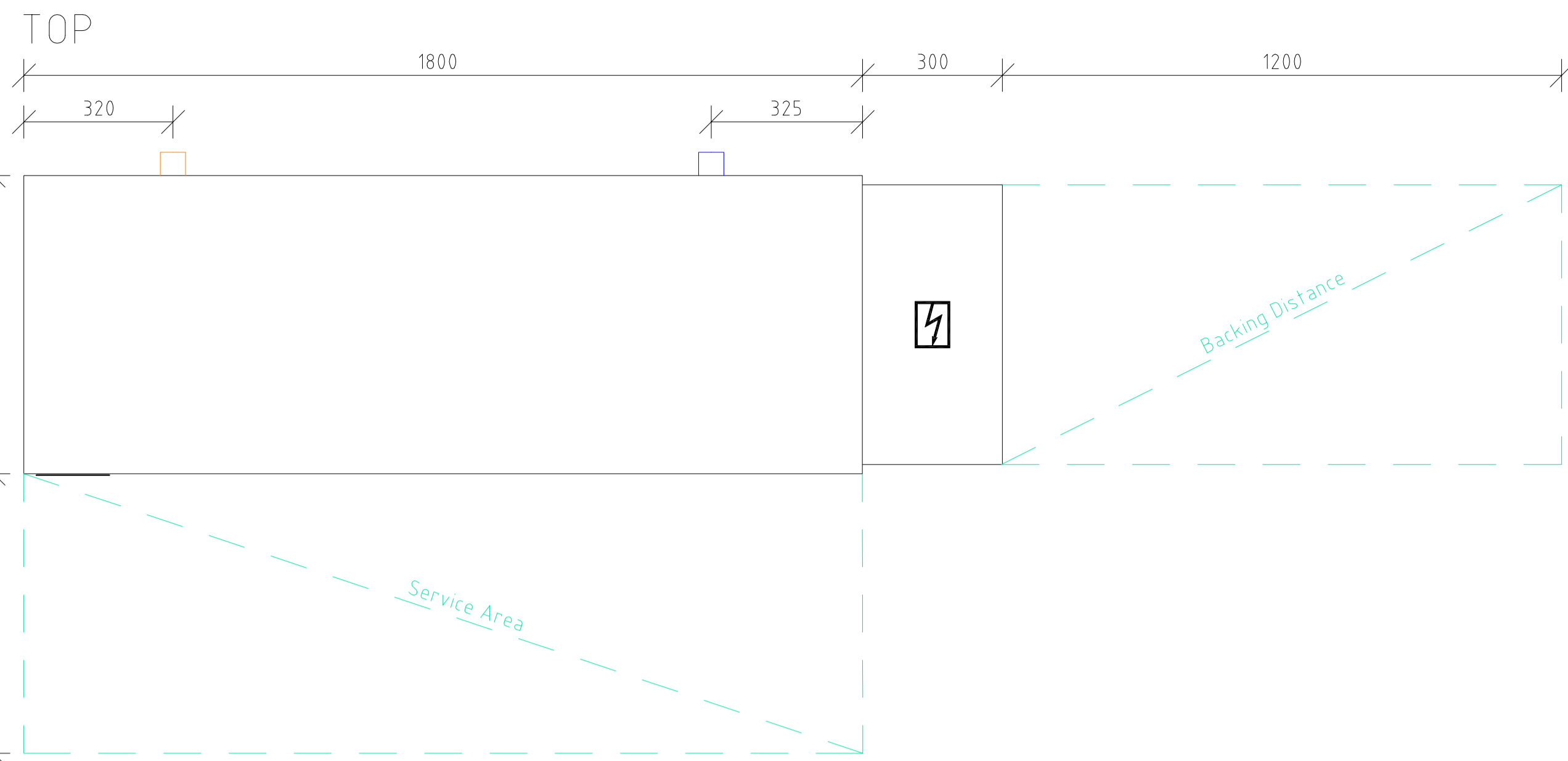
ISO, NW VIEW



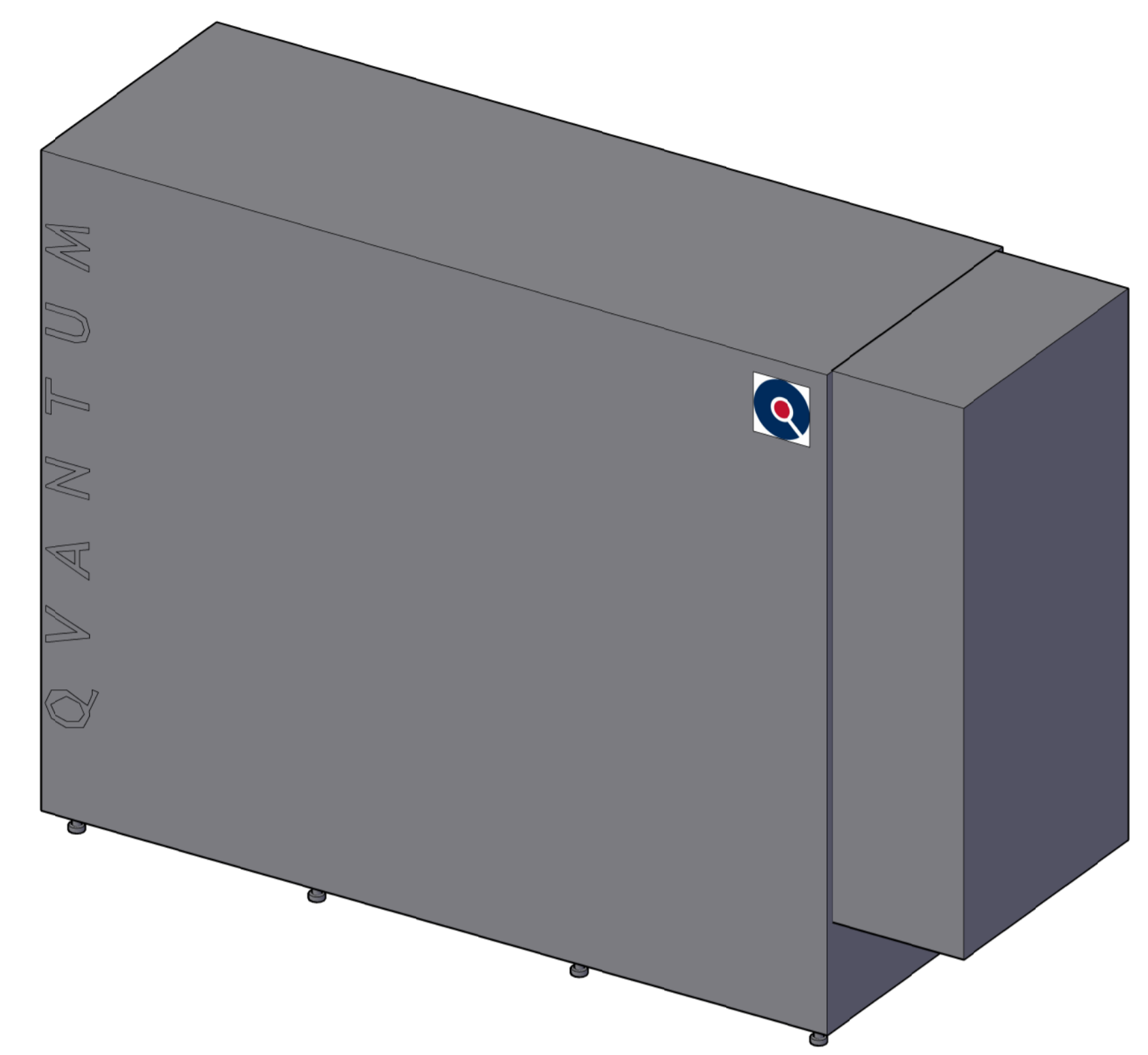
REV	REVISION TYPE	DATE	SIGN
PHASE MEASUREMENT DRAWING			
KVP SERIES Module for Q162KVP & Q192KVP			
QVANTUM ENERGI AB Ringugnsgatan 12 216 16 Limhamn, Sweden <a href="http://www.qvantum.com">www.qvantum.com</a>			
A	XXX	phone XXX-XXXX	fax XXX-XXXX
K	XXX	phone XXX-XXXX	fax XXX-XXXX
E	XXX	phone XXX-XXXX	fax XXX-XXXX
V	XXX	phone XXX-XXXX	fax XXX-XXXX
SPR	XXX	phone XXX-XXXX	fax XXX-XXXX
BR	XXX	phone XXX-XXXX	fax XXX-XXXX
M	XXX	phone XXX-XXXX	fax XXX-XXXX
HP	Qvantum Energi AB	phone +46 10 332 00 50	fax XXX-XXXX
PROJECT NUMBER		DRAWN BY	
-		J.E.	
DATE		APPROVED BY	
2023-10-02			
QVANTUM ENERGI AB KVP SERIES - MODULE MEASUREMENT DRAWING			
SCALE	DRAWING NUMBER		REV
1:10 (A1) 1:20 (A3)	Q-KVP-162-192-M-001		



Subject to possible printing errors.



ISO, SE VIEW



QVANTUM HEAT PUMPS

Drawing refers to Qvantum RS series Heat Pumps.

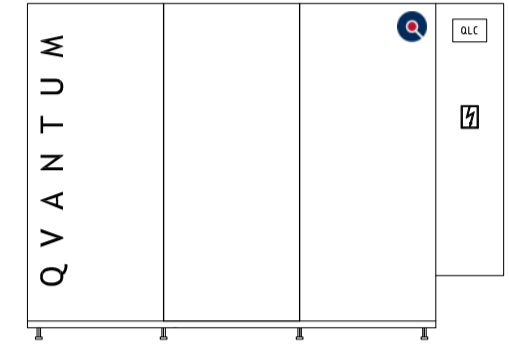
MODEL RANGE  
Q162RS/2 to Q192RS/2.

CONNECTION PLACEMENT  
Back side connection.

CONNECTION SIZES  
Q162RS/2 and Q192RS/2  
Condensor - DN65 ext thread  
Evaporator - DN65 ext thread

INLET & OUTLET

- 1. Evaporator Inlet
- 2. Evaporator Outlet
- 3. Condensor Outlet
- 4. Condensor Inlet

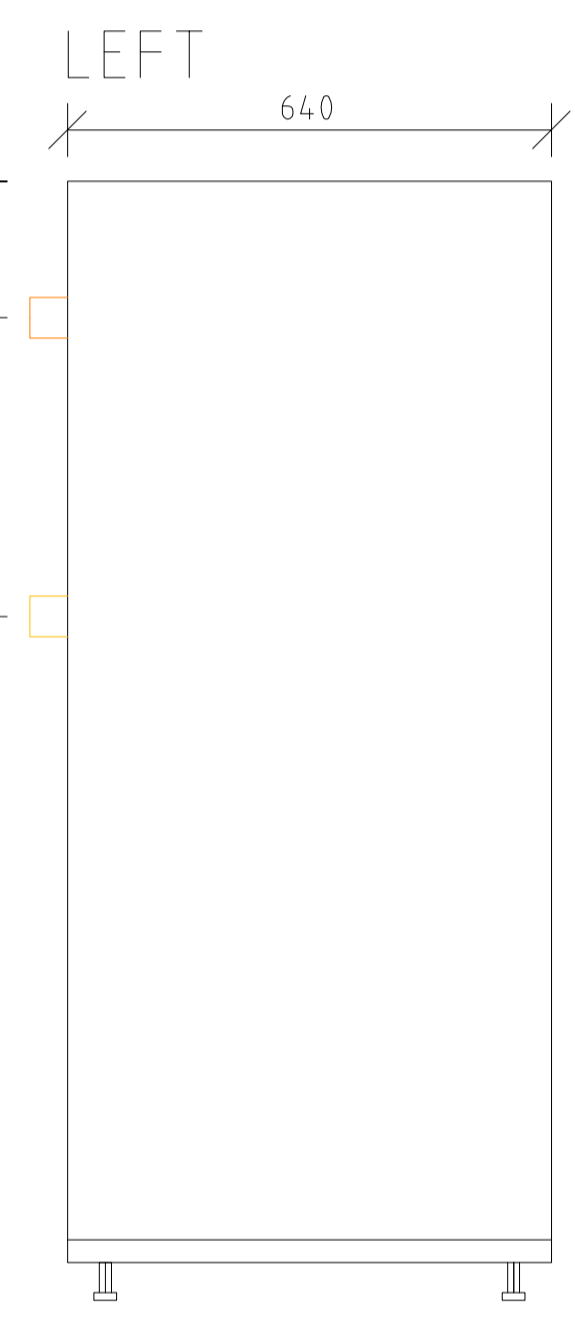
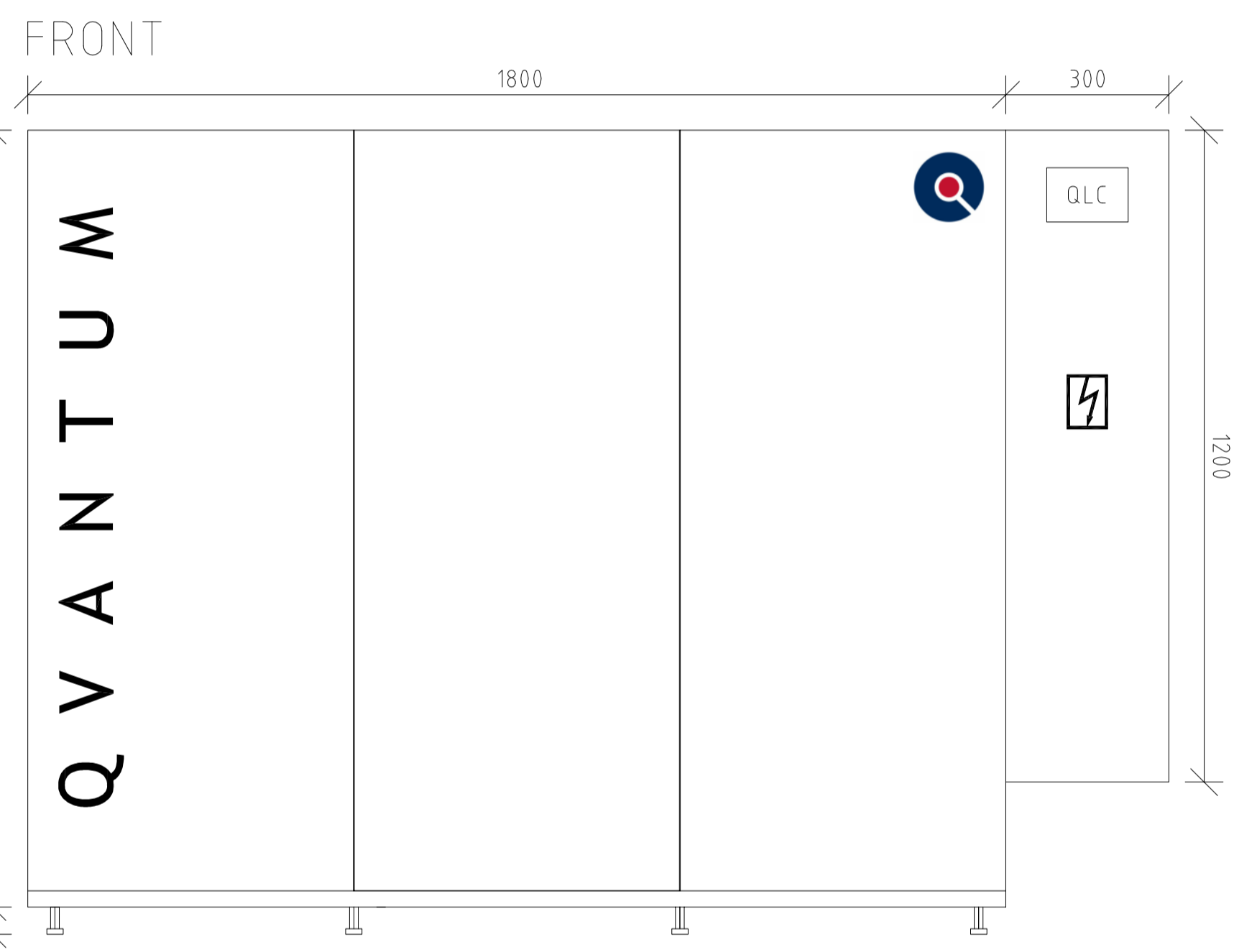


Power Supply.

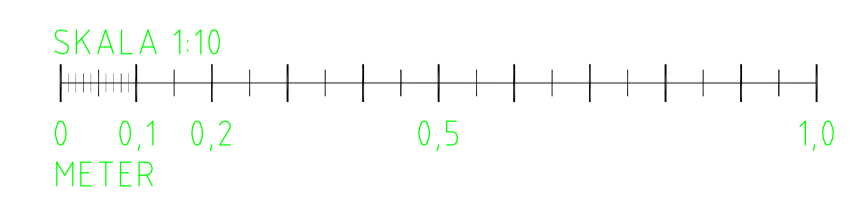
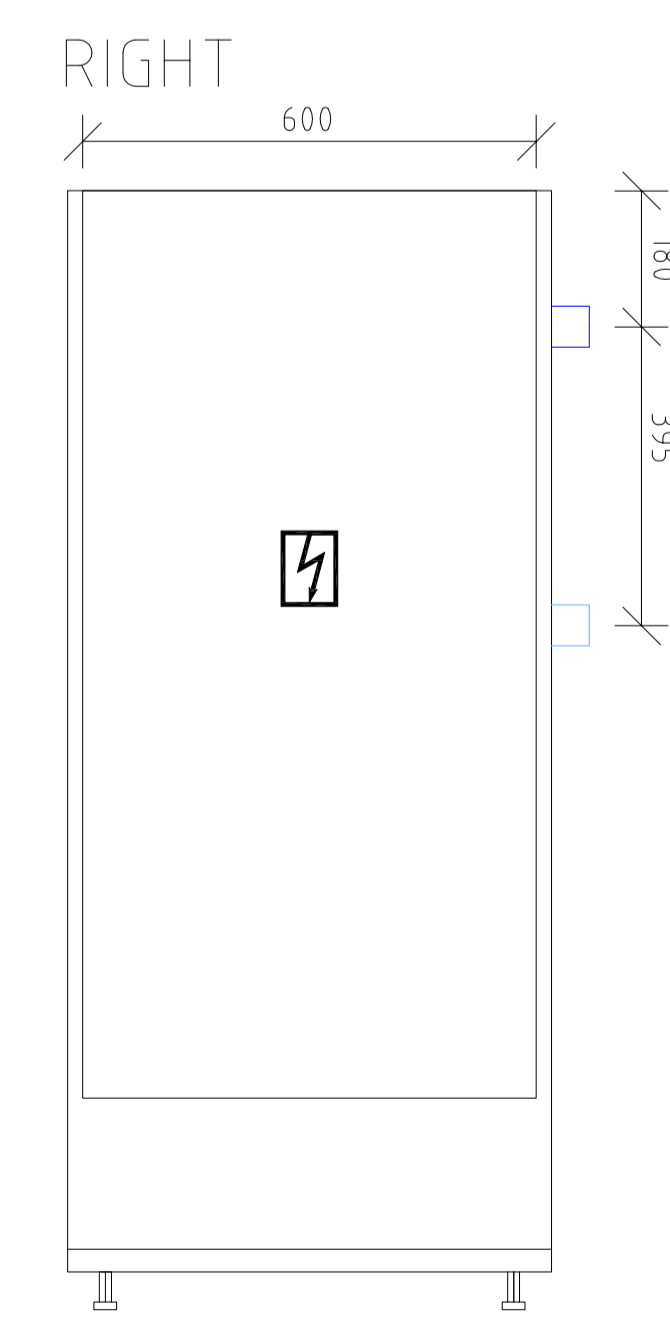
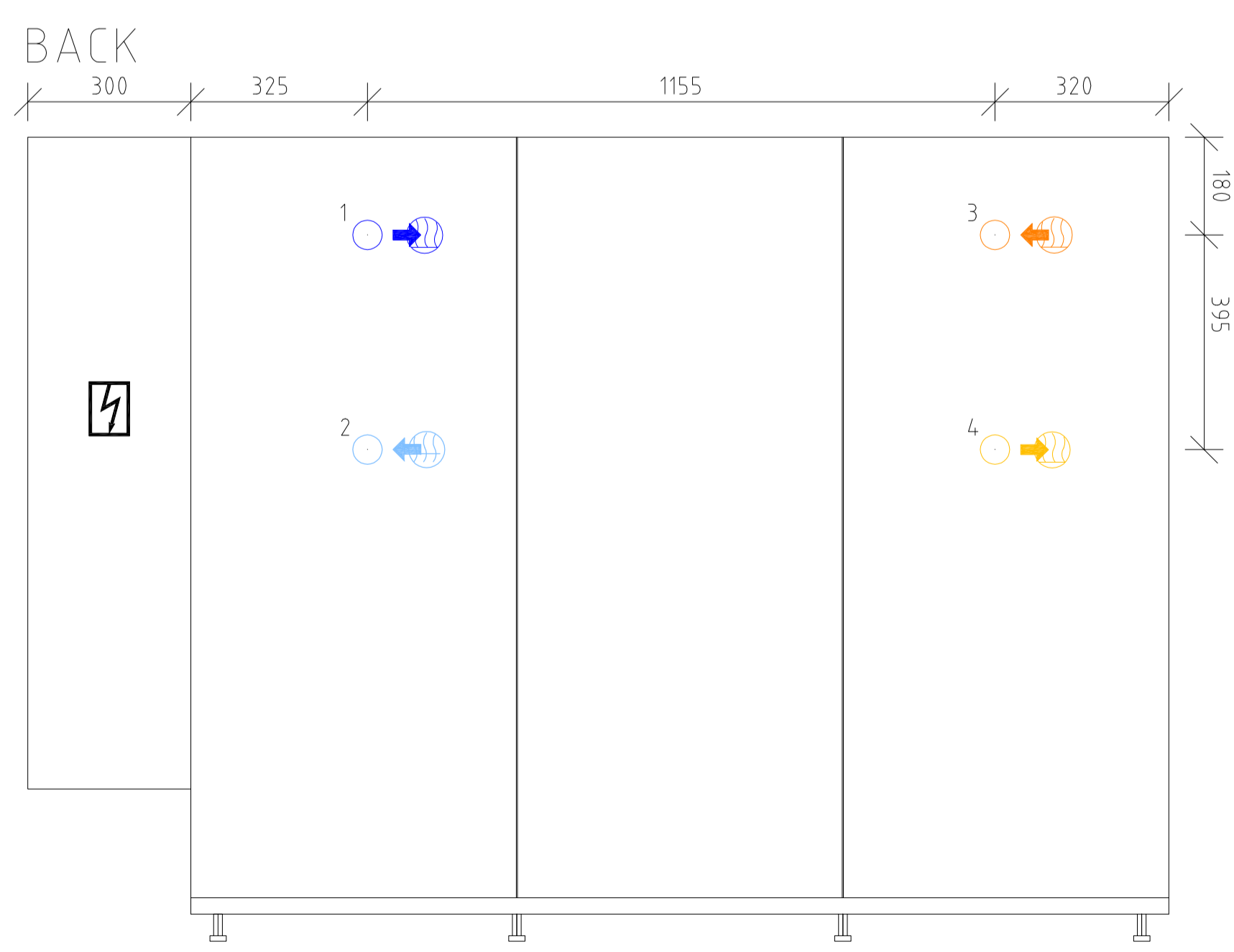
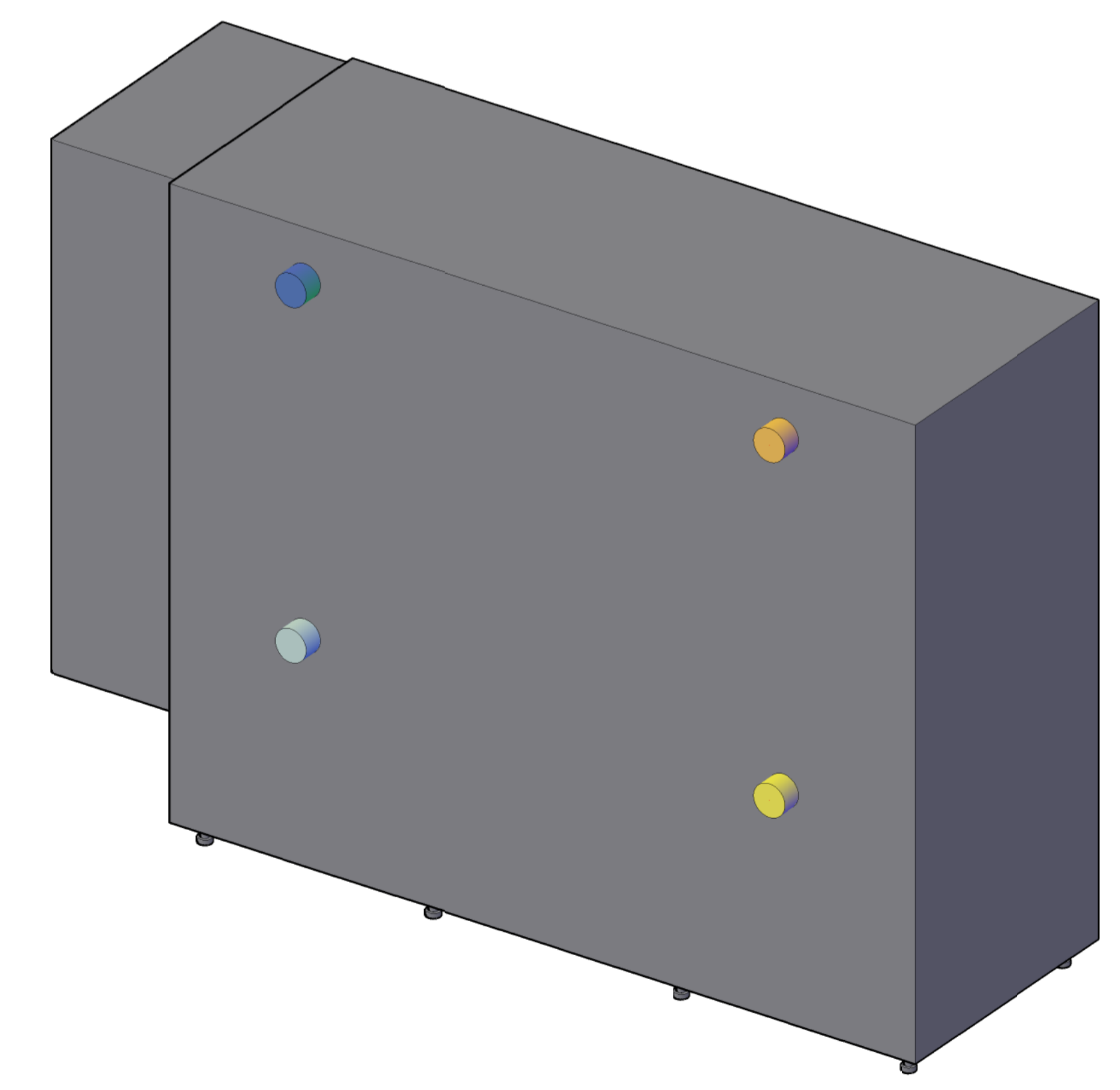
Electric Cabinet can be placed on either side.

All components inside heat pump are available from front.

All measurements in millimeter.



ISO, NW VIEW



REV	REVISION TYPE	DATE	SIGN
PHASE MEASUREMENT DRAWING			
RS SERIES Q162RS/2 to Q192RS/2			
QVANTUM ENERGI AB Ringugnsgatan 12 216 16 Limhamn, Sweden <a href="http://www.qvantum.com">www.qvantum.com</a>			
A	XXX	phone XXX-XXXX	fax XXX-XXXX
K	XXX	phone XXX-XXXX	fax XXX-XXXX
E	XXX	phone XXX-XXXX	fax XXX-XXXX
V	XXX	phone XXX-XXXX	fax XXX-XXXX
SPR	XXX	phone XXX-XXXX	fax XXX-XXXX
BR	XXX	phone XXX-XXXX	fax XXX-XXXX
M	XXX	phone XXX-XXXX	fax XXX-XXXX
HP	Qvantum Energi AB	phone +46(0)40-15 10 44	fax XXX-XXXX
PROJECT NUMBER		DRAWN BY	MANAGED BY
-		J.E.	J.E.
DATE		APPROVED BY	
2021-11-29		L.B.	
QVANTUM ENERGI AB RS SERIES HEAT PUMPS MEASUREMENT DRAWING			
SCALE	1:10 (A1)	DRAWING NUMBER	REV
	1:20 (A3)	Q-RS2-162-192-001	



# QVANTUM HEAT PUMPS

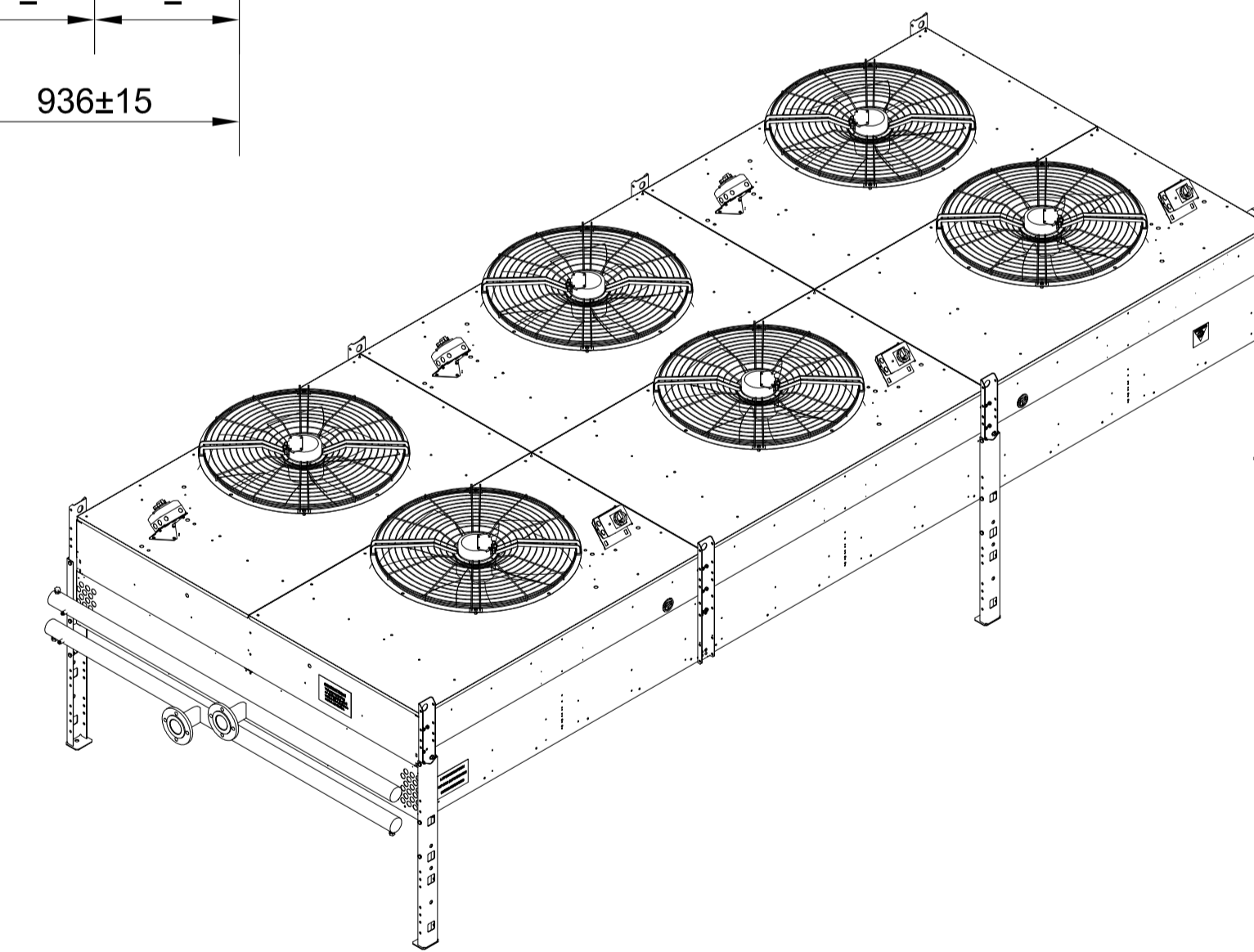
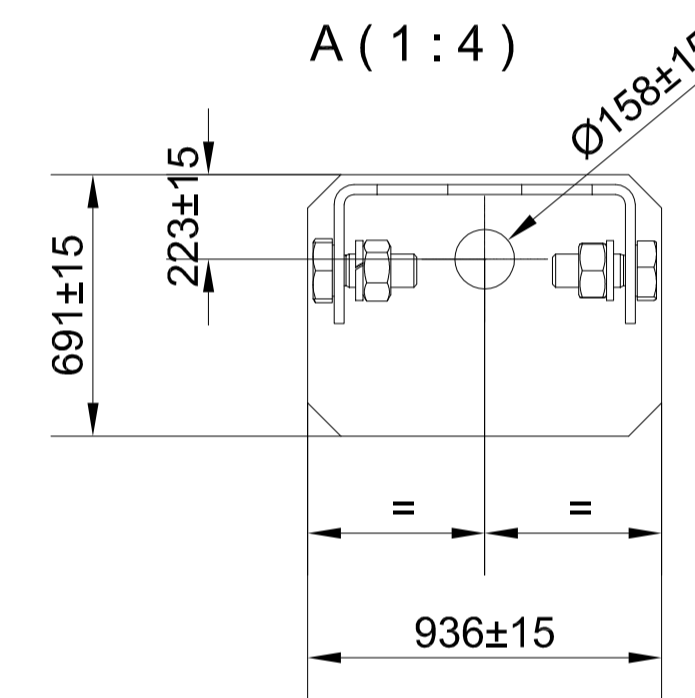
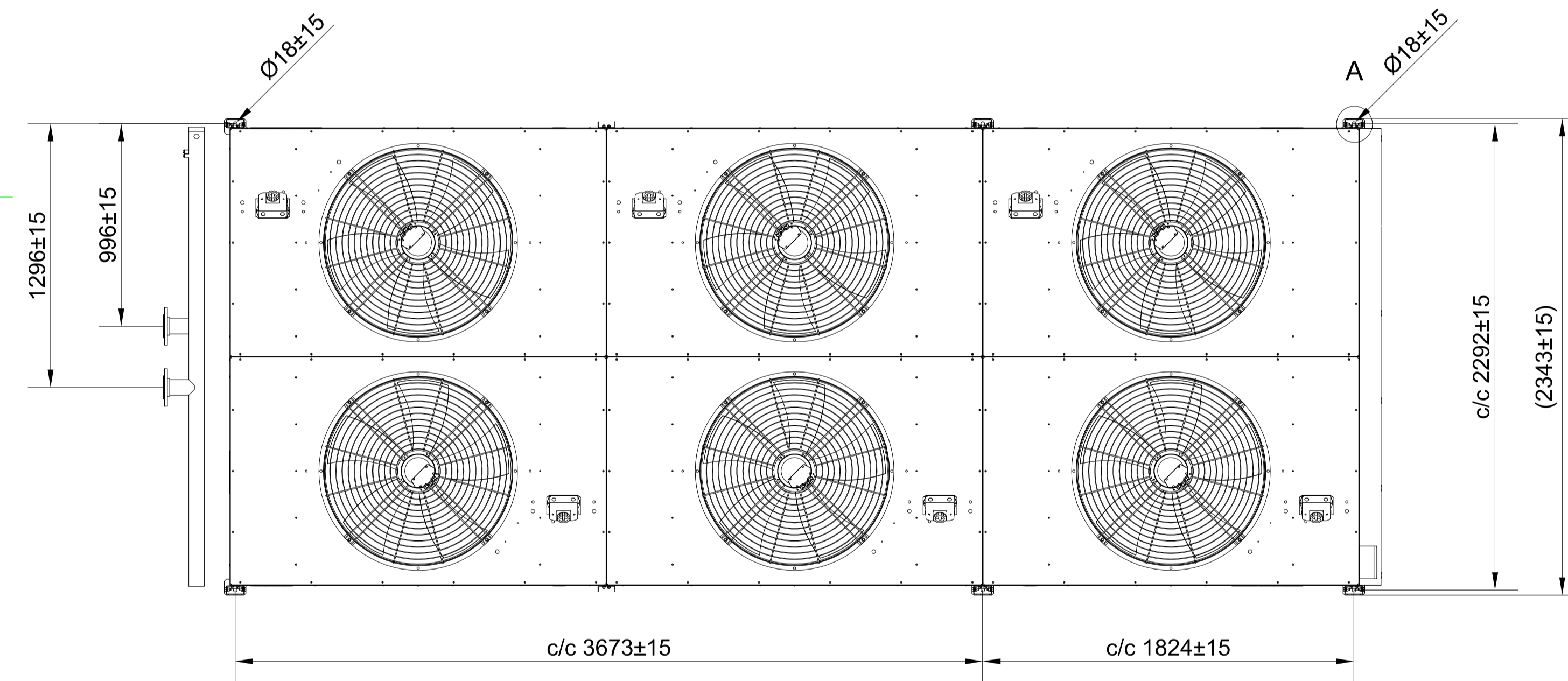
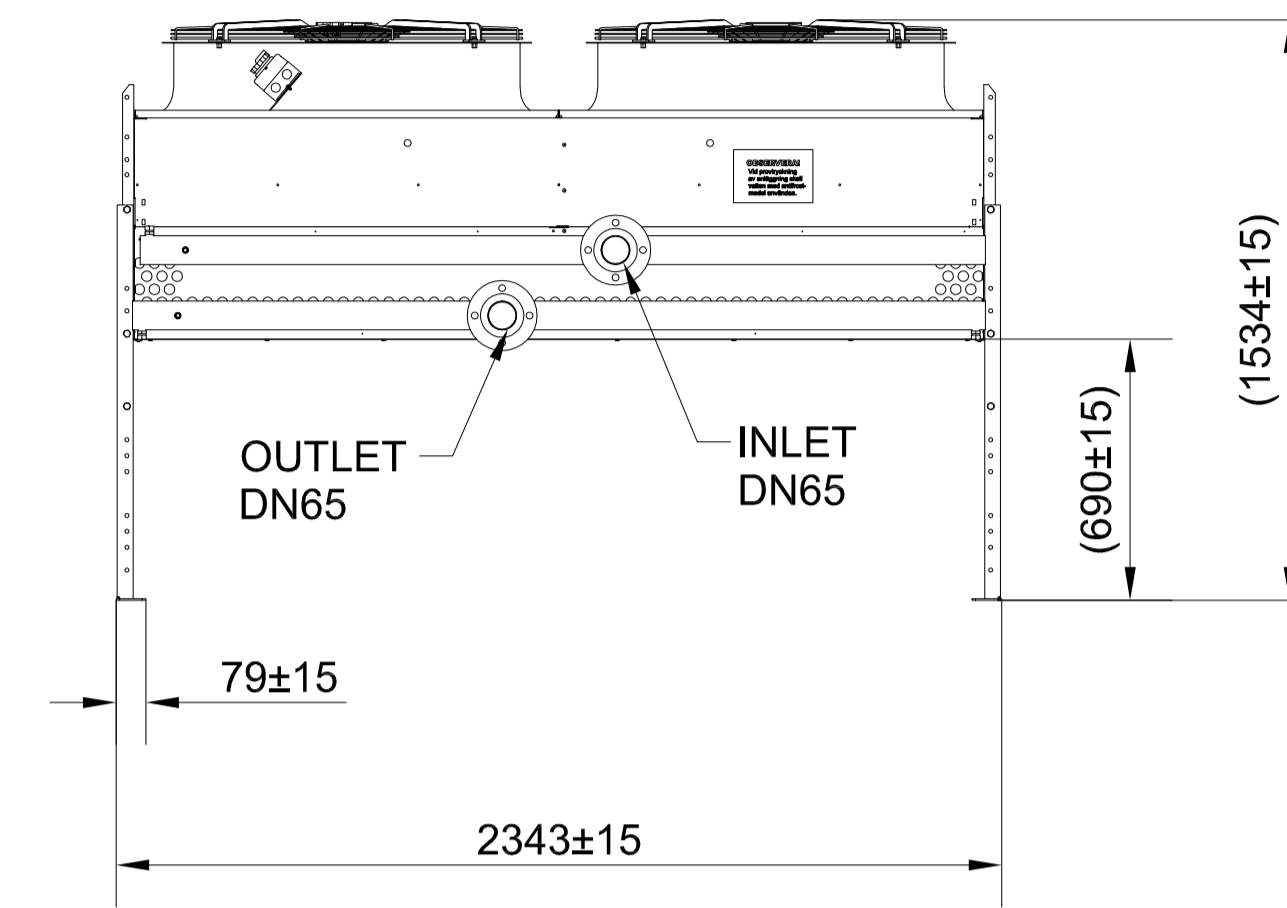
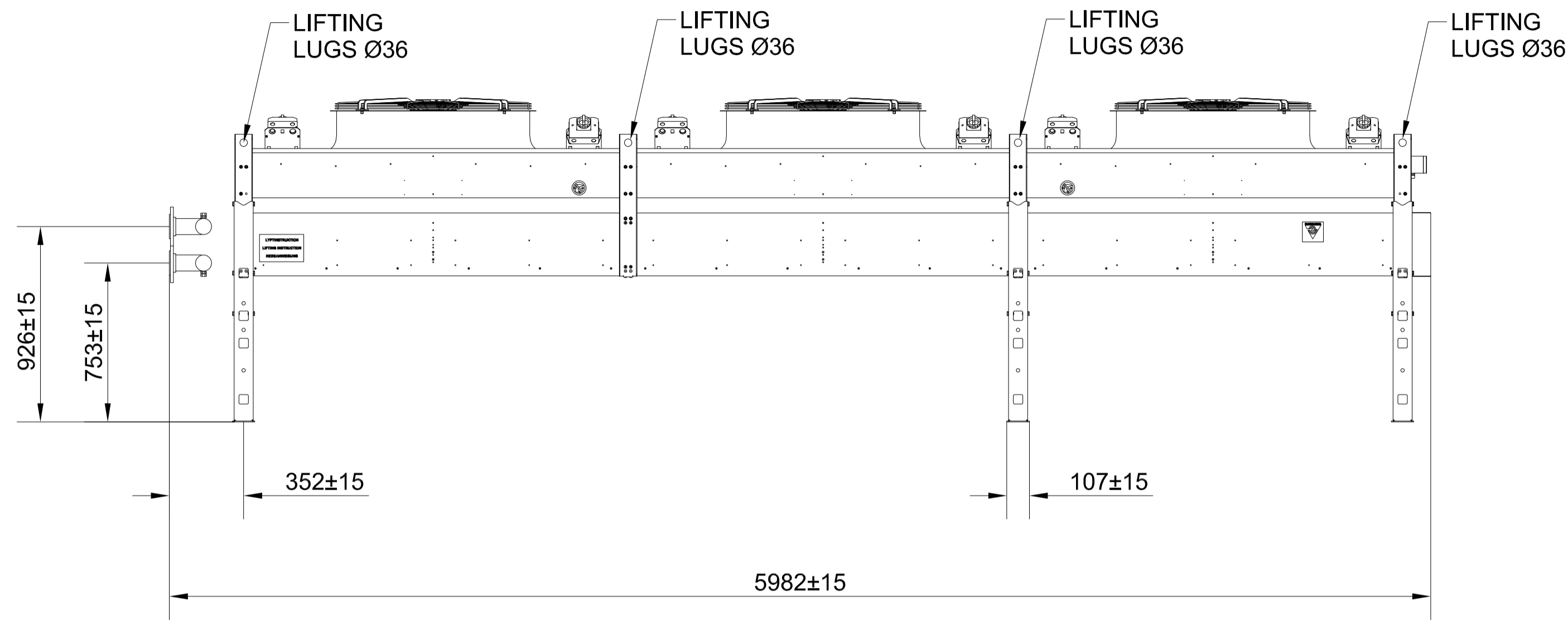
Drawing refers to Fan Unit for Qvantum KVP series Heat Pumps.

**MODEL RANGE**  
Fan Unit for Qvantum Q192KVP.

**CONNECTION PLACEMENT**  
Left side connection.

**CONNECTION SIZES**  
OUTLET: DN65  
INLET: DN65

All measurements in millimeter.  
All measurements with ±15 mm tolerance.



REV	REVISION TYPE	DATE	SIGN
PHASE	MEASUREMENT DRAWING		

Fan Unit for Q192KVP

QVANTUM ENERGI AB  
Ringugnsgatan 12  
216 16 Limhamn, Sweden  
[www.qvantum.com](http://www.qvantum.com)



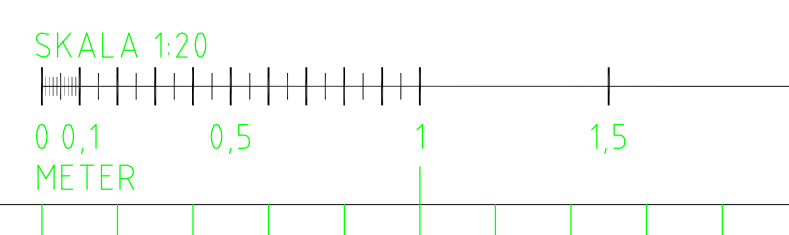
A	XXX	phone XXX-XXXX	fax XXX-XXXX
K	XXX	phone XXX-XXXX	fax XXX-XXXX
E	XXX	phone XXX-XXXX	fax XXX-XXXX
V	XXX	phone XXX-XXXX	fax XXX-XXXX
SPR	XXX	phone XXX-XXXX	fax XXX-XXXX
BR	XXX	phone XXX-XXXX	fax XXX-XXXX
M	XXX	phone XXX-XXXX	fax XXX-XXXX
HP	Qvantum Energi AB	phone +46 10 332 00 50	fax XXX-XXXX

PROJECT NUMBER	DRAWN BY	MANAGED BY
-	J.E.	J.E.

DATE	APPROVED BY
2023-05-04	J.E.

QVANTUM ENERGI AB  
FAN UNIT FOR QVANTUM Q192KVP  
MEASUREMENT DRAWING

SCALE	DRAWING NUMBER	REV
1:20 (A1)	Q-KVP-192-FU-001	
1:40 (A3)		



Subject to possible printing errors.

LAGER: SB11

P.L. 2023-05-04 20:05 J:\QVANTUM\Q192KVP\INTEKNT\Q192KVP\RINGUGN\MOD\SERIE KVP\DWG JONAS

# QVANTUM HEAT PUMPS

Drawing refers to Qvantum KVP Modules.

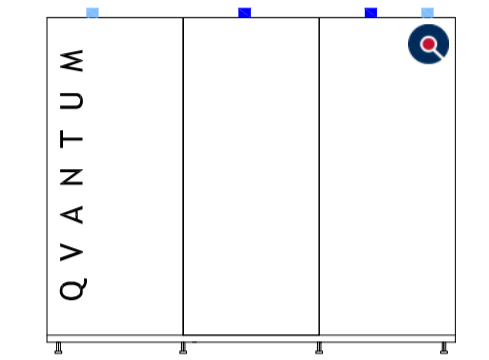
**MODEL RANGE**  
Module for Q162KVP & Q192KVP.

**CONNECTION PLACEMENT**  
Back side and top connection.

**CONNECTION SIZES**  
All connections: Cu54.0 mm

**INLET & OUTLET**

- 1. Inlet from fan unit
- 2. Outlet to fan unit
- 5. Outlet to heat pump
- 6. Inlet from heat pump
- 9. Inlet from heat system
- 10. Outlet to heat pump
- 3. Inlet from cold tanks
- 4. Outlet to cold tanks

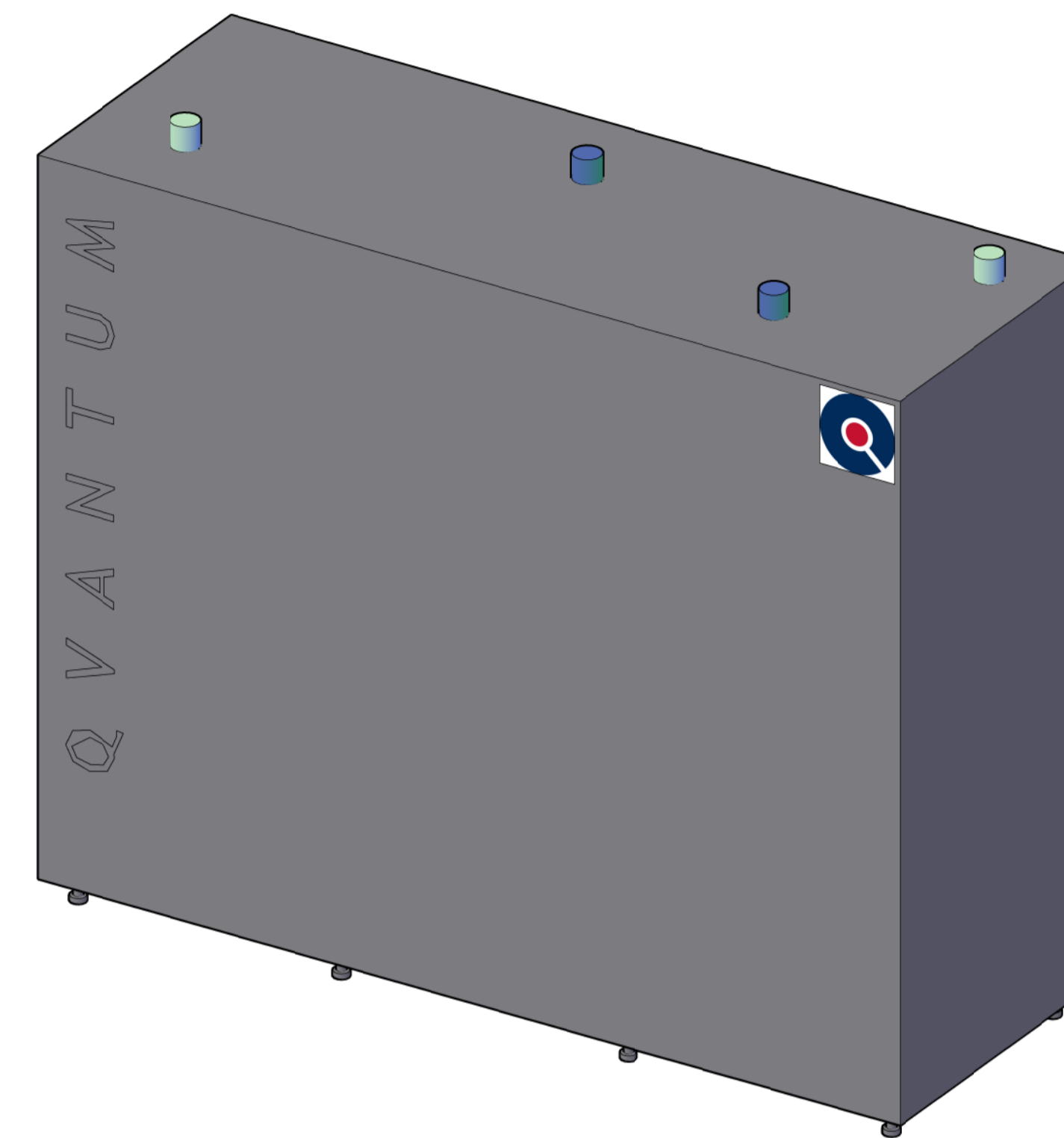


All components inside heat pump are available from front.

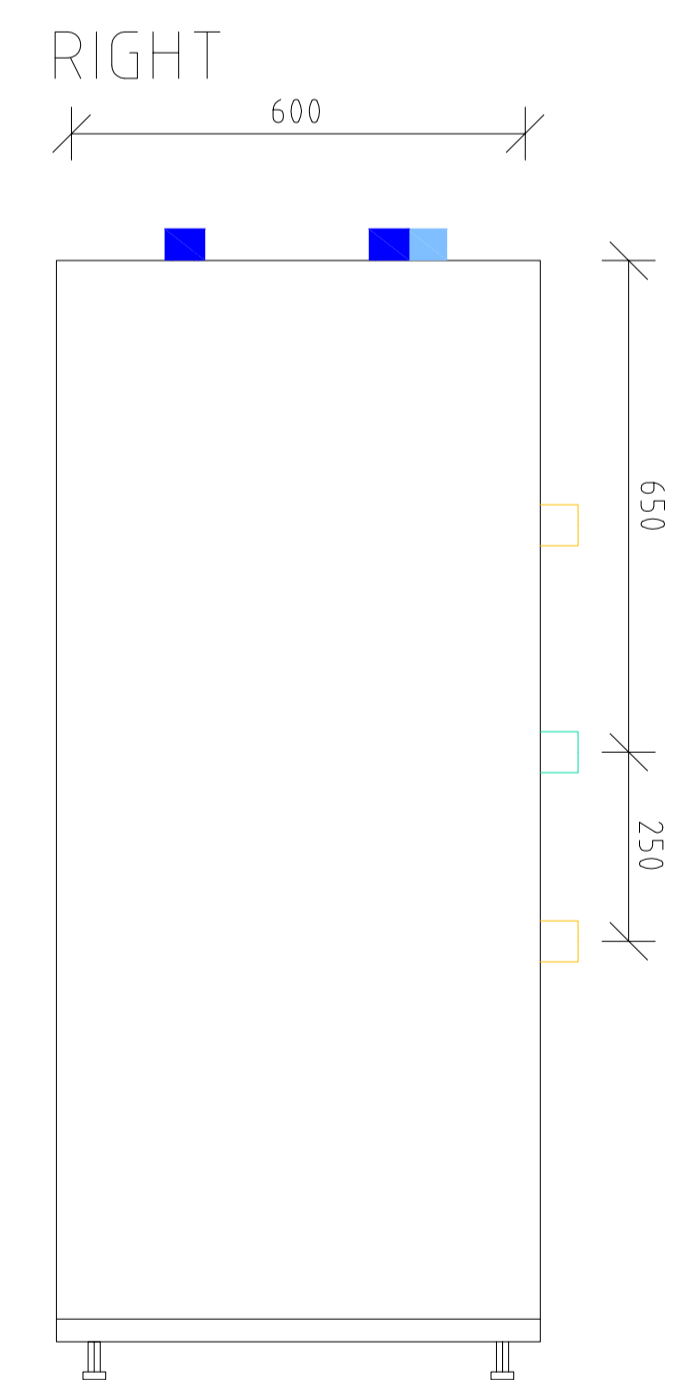
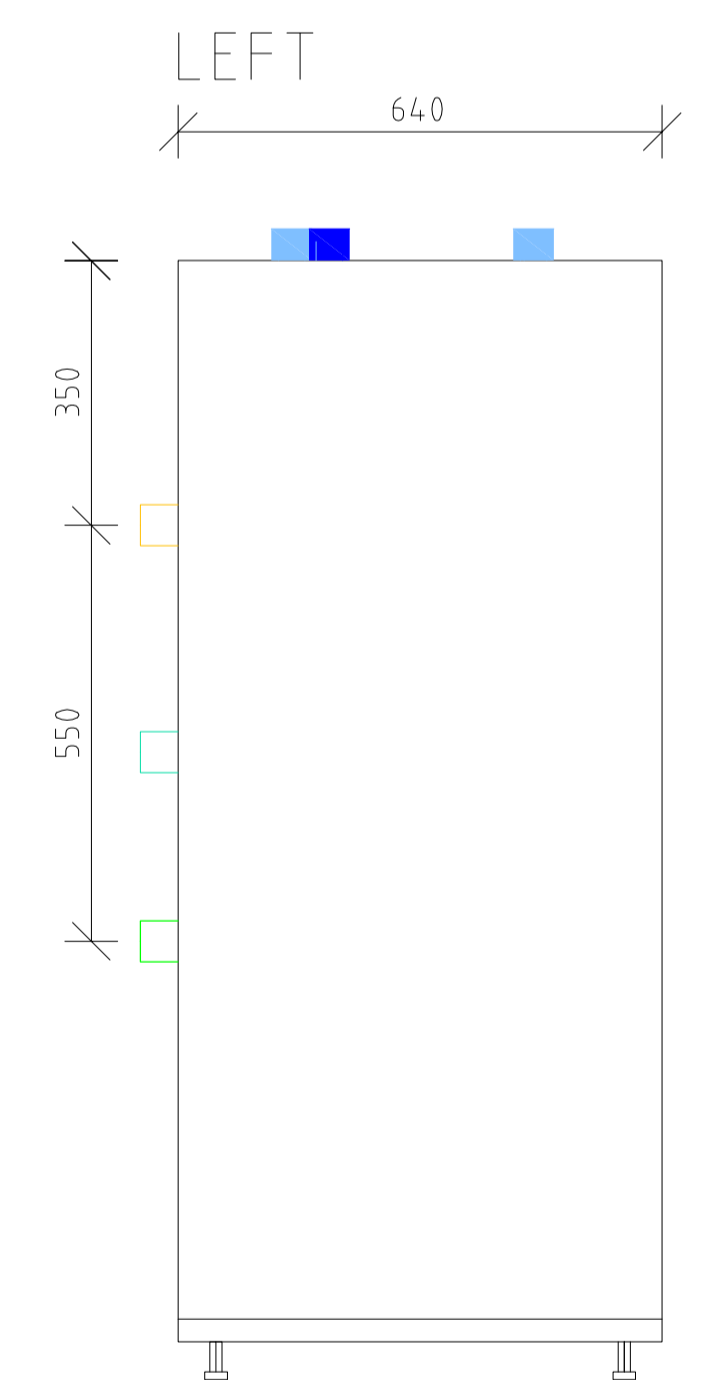
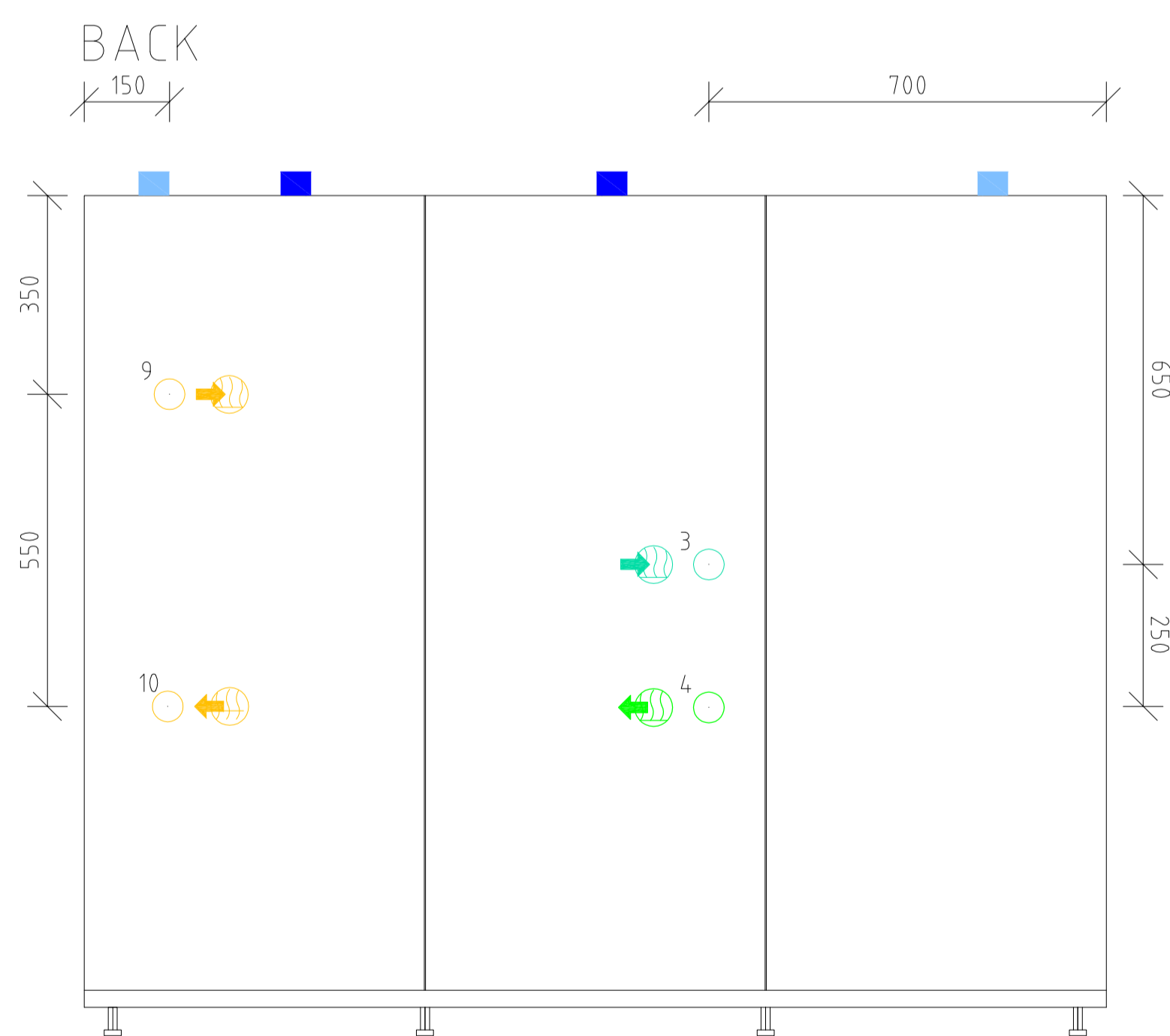
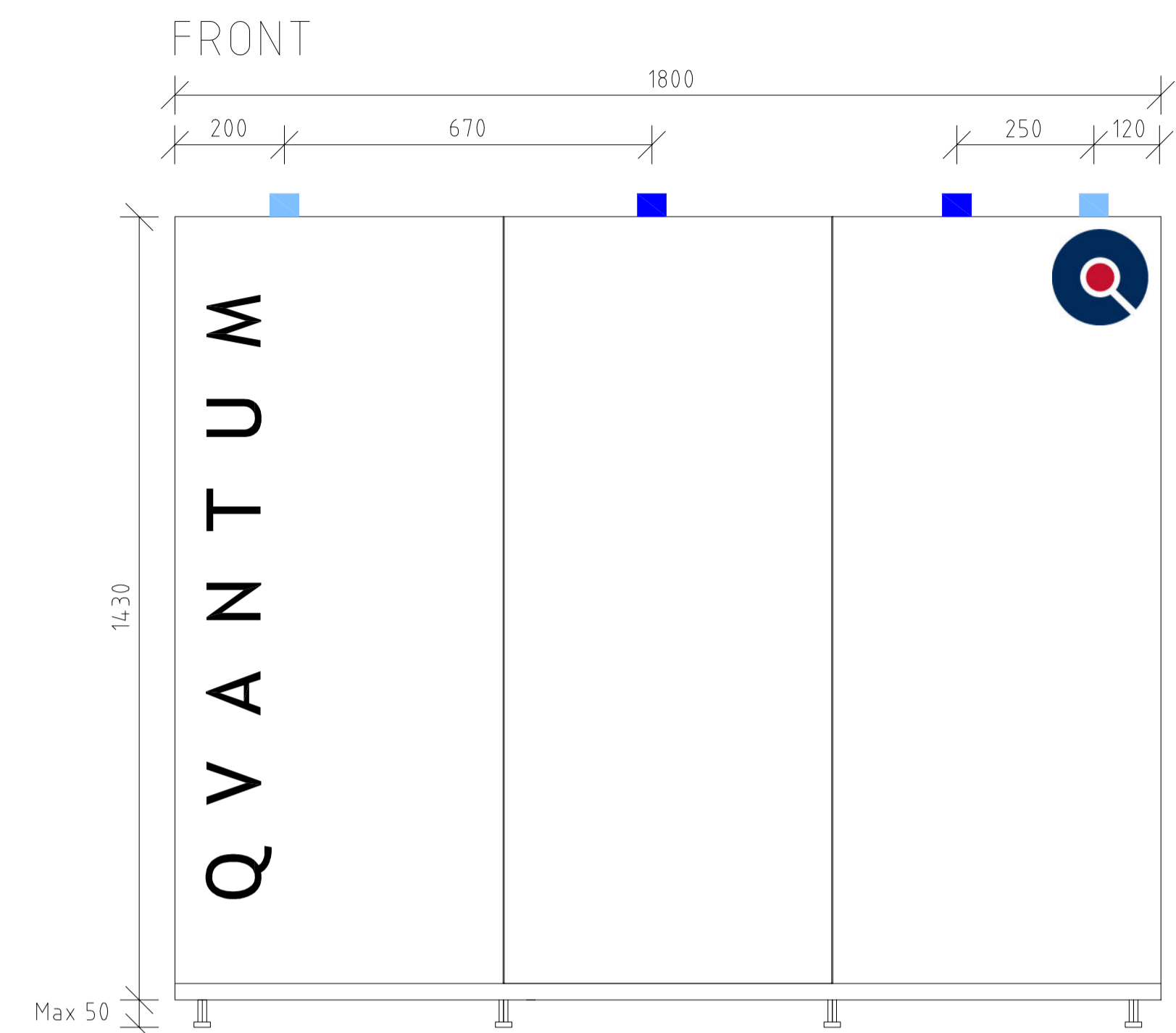
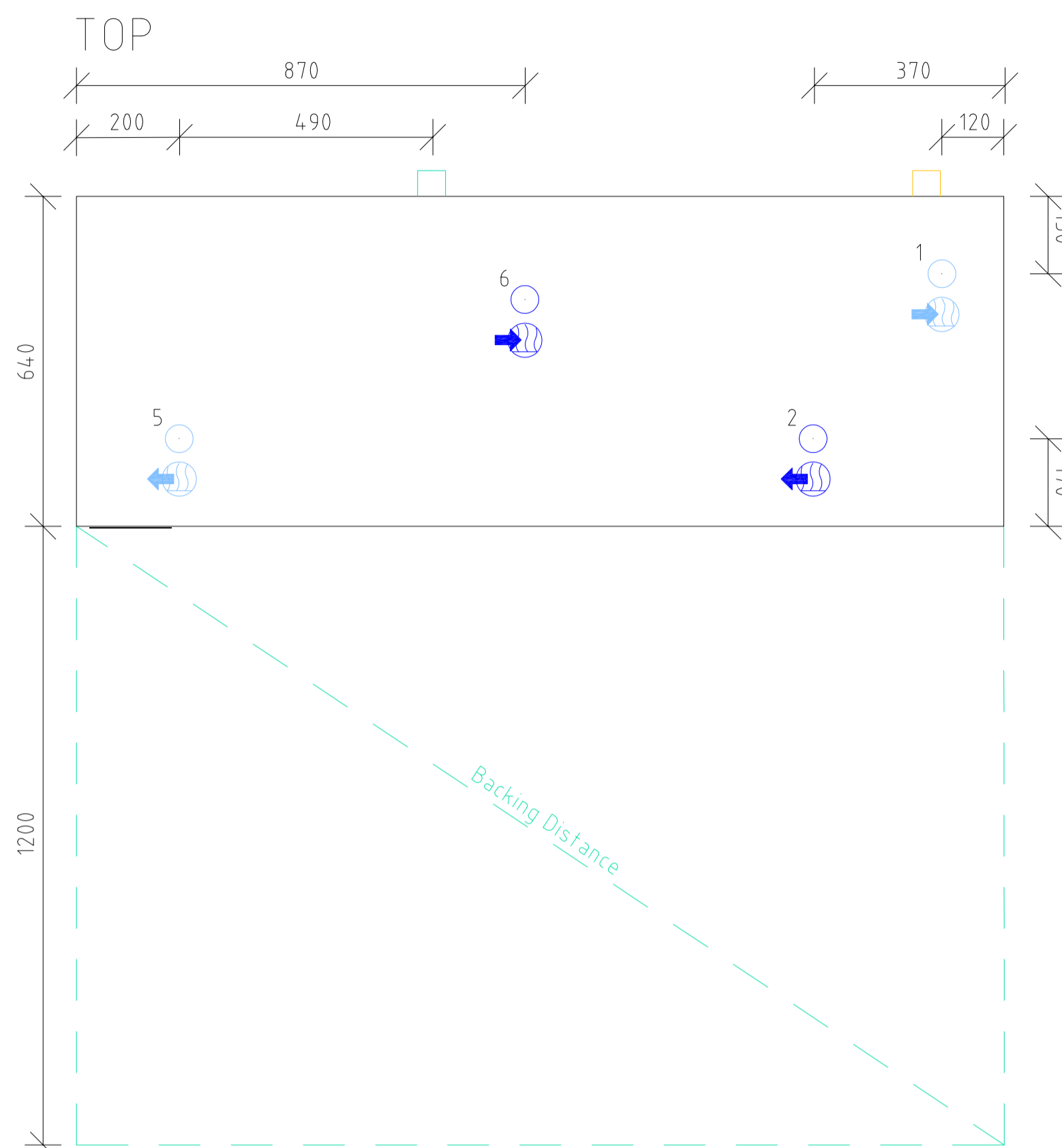
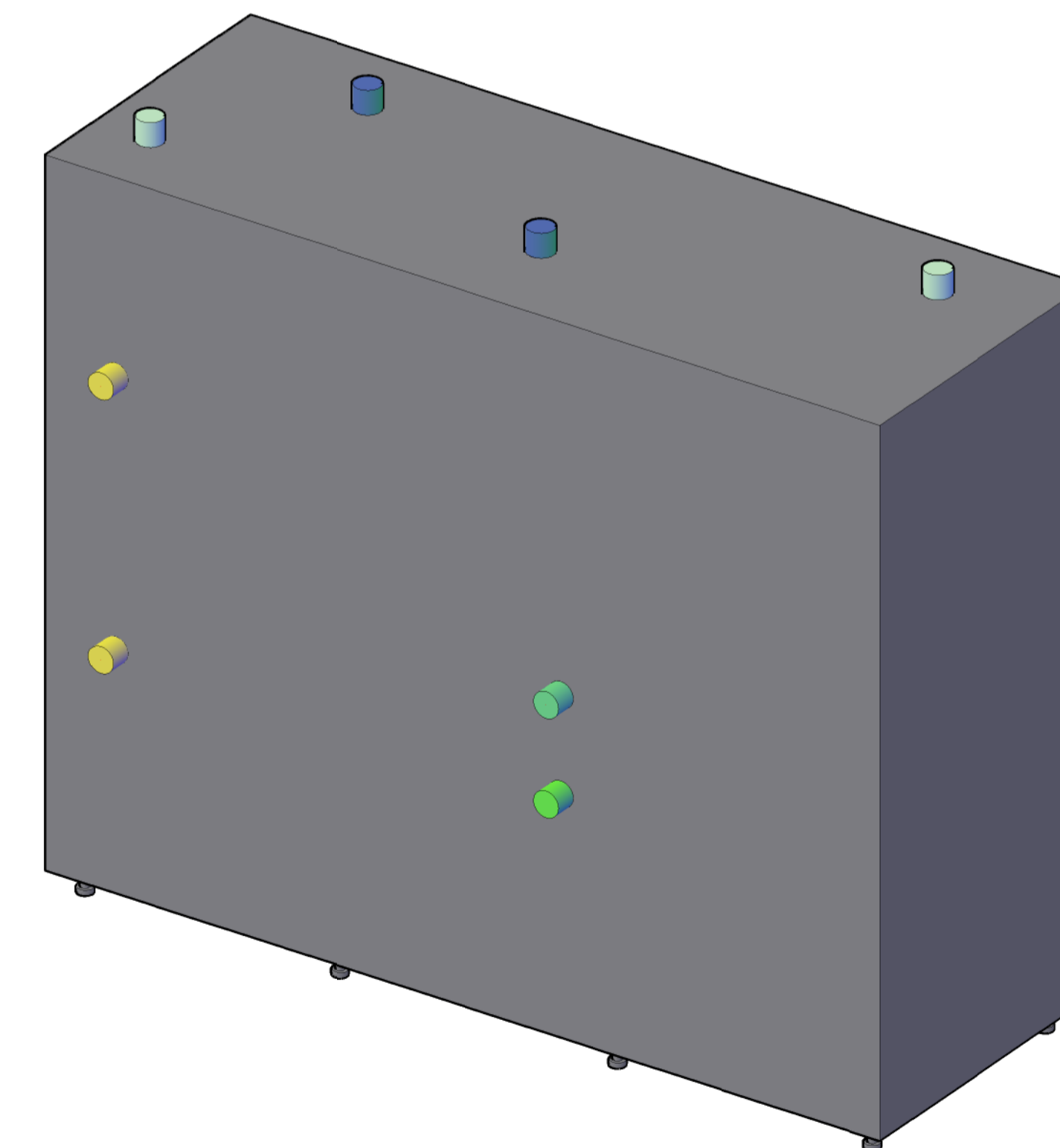
All measurements in millimeter.

All measurements with ±5 mm tolerance.

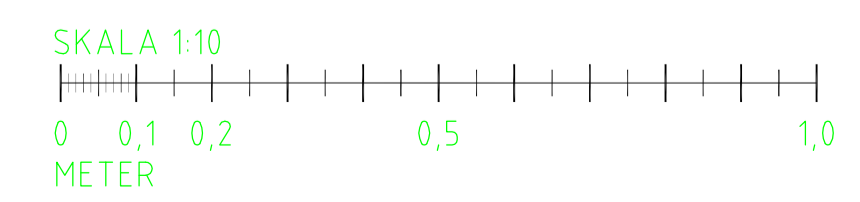
ISO, SE VIEW



ISO, NW VIEW



REV	REVISION TYPE	DATE	SIGN
PHASE MEASUREMENT DRAWING			
KVP SERIES Module for Q162KVP & Q192KVP			
QVANTUM ENERGI AB Ringugnsgatan 12 216 16 Limhamn, Sweden <a href="http://www.qvantum.com">www.qvantum.com</a>			
A	XXX	phone XXX-XXXX	fax XXX-XXXX
K	XXX	phone XXX-XXXX	fax XXX-XXXX
E	XXX	phone XXX-XXXX	fax XXX-XXXX
V	XXX	phone XXX-XXXX	fax XXX-XXXX
SPR	XXX	phone XXX-XXXX	fax XXX-XXXX
BR	XXX	phone XXX-XXXX	fax XXX-XXXX
M	XXX	phone XXX-XXXX	fax XXX-XXXX
HP	Qvantum Energi AB	phone +46 10 332 00 50	fax XXX-XXXX
PROJECT NUMBER		DRAWN BY	
-		J.E.	
DATE		MANAGED BY	
2023-10-02			
QVANTUM ENERGI AB KVP SERIES - MODULE MEASUREMENT DRAWING			
SCALE	DRAWING NUMBER	REV	
1:10 (A1) 1:20 (A3)	Q-KVP-162-192-M-001		



Subject to possible printing errors.