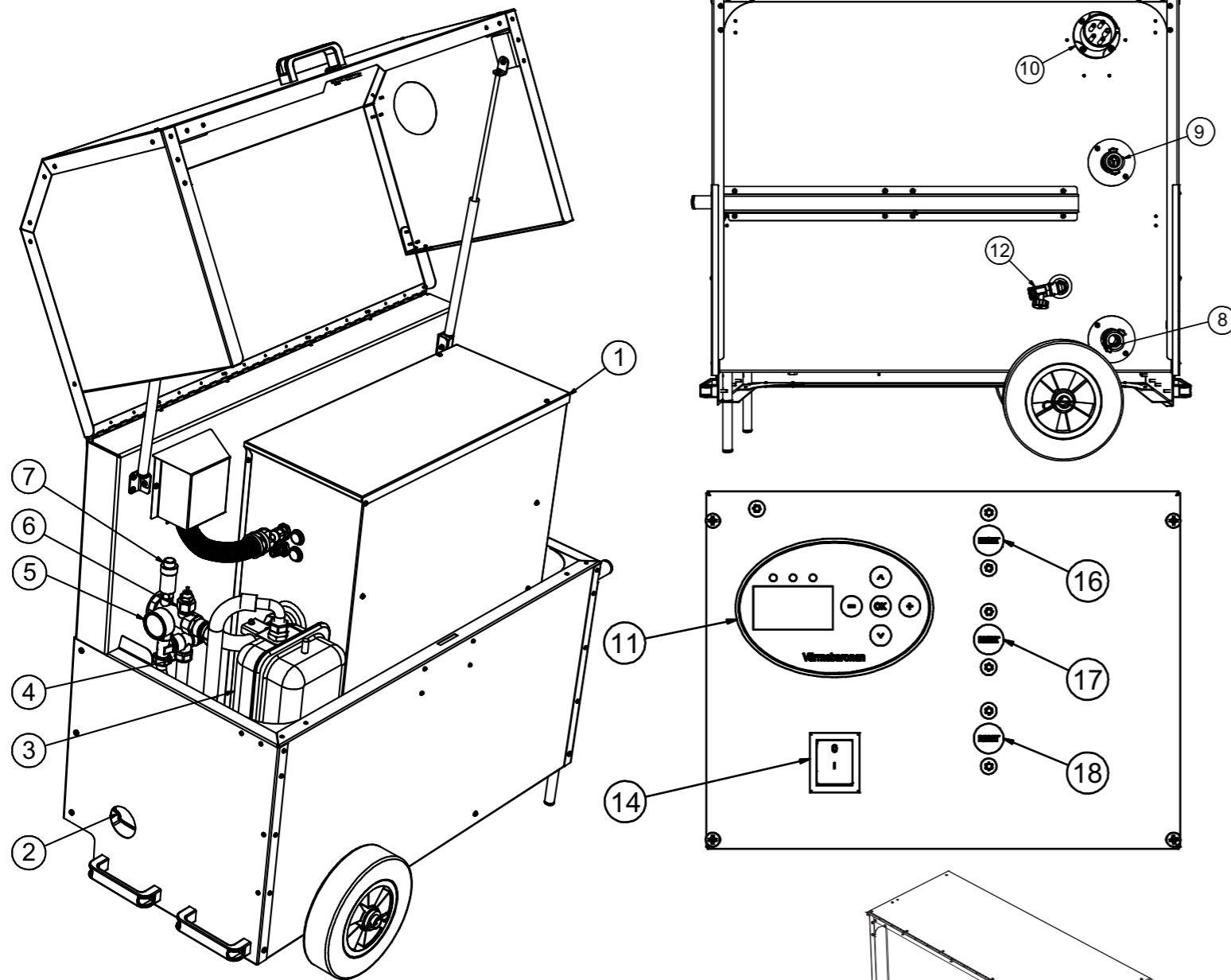
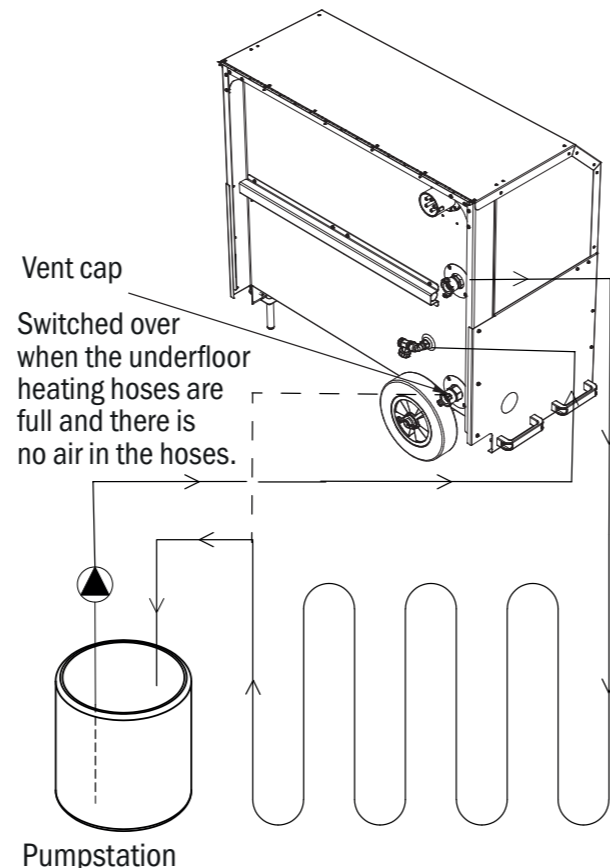


# 22/42 kW MOBILE ELECTRIC BOILER



1. EP - E
2. Expansion tank, 10 litres, 0.5 bar pre-pressurisation
3. Grundfos UPM3 Auto L 15/50 circulation pump
4. Safety valve, 3 bar
5. Manometer
6. Float switch
7. Automatic vent
8. Return line, claw coupling
9. Flow line, claw coupling
10. 63 A electrical plug
11. Display
12. Drain valve
14. Control switch
- 16-18. Overheating protection reset  
(See technical manual)



## GENERAL

The 22/42 kW mobile electric boiler is a complete, transportable electric boiler. The electric boiler is primarily intended for use as a temporary emergency/auxiliary boiler for roles such as the drying of concrete sheets with underfloor heating and the heating of buildings during construction, via the underfloor heating system. The boiler can also act as a temporary heat source in the event of a breakdown.

The boiler is supplied complete with circulation pump, expansion tank and fitting kit with safety valve, float switch and vent. It is simple to connect to an underfloor heating manifold/heating system via a claw coupling at the rear. The 22/42 kW mobile electric boiler is electrically connected internally using a three-phase 400 V plug. The temperature is controlled via the boiler display. The ingress protection rating is IP 44. For more information, see the enclosed manual.

## INSTALLATION

Applicable building and hot water precautions must be observed. The heating system must be organised so that there is always a flow through the boiler. Therefore, ensure that one or more heating circuits are always open.

## SAFETY VALVE

The functionality of the safety valve must be tested upon startup. Take care to ensure that water/steam flowing out cannot cause injury.

## DISPLAY

See enclosed manual.

## OVERHEATING PROTECTION

The boiler has built-in overheating protection which is triggered at approx. 100°C. The protection is reset behind the reset plug on the front panel. A reset cannot be performed until the boiler has cooled to approx. 80°C. Should the fault recur, the reason for the fault must be noted and remedied before restarting.

## CIRCULATION PUMP

For circulation pump settings, see the separate instructions for "Grundfos UPM3 Auto L 15/50". Please note that it is best to set the pump to work with constant pressure, and that this must be set manually according to separate instructions.

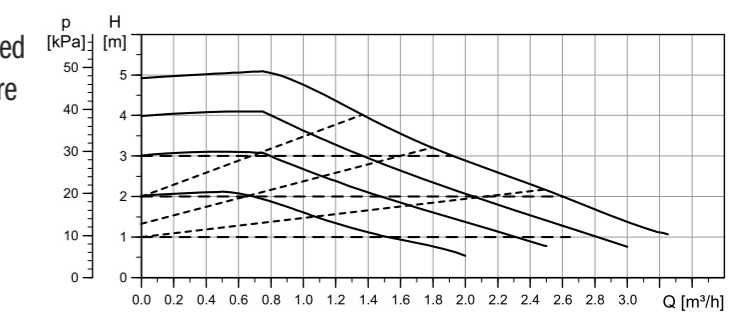
## FLOAT SWITCH

The boiler is equipped with a sensor (6) which stops operation if there is no water in the tank. A red diode will flash and the display will show F.04. See the technical manual for more information on alarms and warnings.

## STARTUP

Before startup, check that the heating system is filled with water and vented, and that the system has the required operating pressure. Make sure that the circulation pump is working by listening and testing the different speeds.

## PUMP PERFORMANCE CURVE



## TECHNICAL DATA

Model	22 kW	42 kW	
RSK number	6203828	6203829	
Voltage	400 V3N~		
Power output	22.5	42	kW
Current	32	61	A
Fuse	32	63	A
Number of steps	6	7	step
Weight	105	110	kg
Cable connection	32 A Glove	63 A Glove	
Expansion tank	10	10	litres
Safety valve	3	3	bar
Ingress protection rating	IP 44	IP 44	
Connection	Claw couplings		
Dimensions (L x W x H)	1,070 x 586 x 988 mm		

## SPARE PARTS

245107 Gasket for claw couplings	245078 Vent
730995 Gas spring	246003 Circulation pump
440172 Electrical plug (32 A)	440178 Electrical plug (63 A)
245533 Safety valve	731048 Wheel
370062 Handle	246226 Expansion tank

Subject to printing/proofreading errors

Part no. 330612\_